

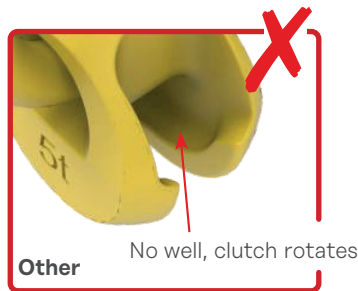
Locking Klaw

Lighter, stronger, and safer than standard clutches

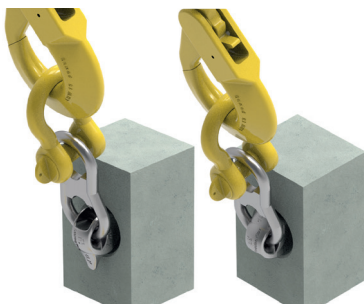
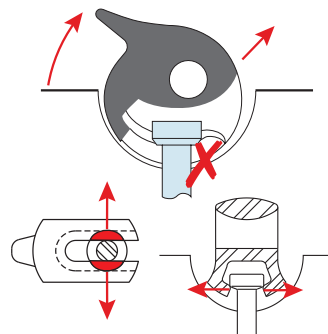
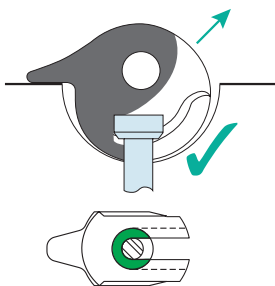
The safest, strongest, lightest concrete lifting clutch from the company that invented spherical head lifting systems

Strong, safe and secure: the Locking Klaws unique "locking well" prevents the locking klaw from rotating during the lifting process and ensures that the anchor head is always in the optimum position at the back of the slot.

- Stops the tail rising
- Improves anchor support, strength & safety
- Reduces wear, damage and distortion

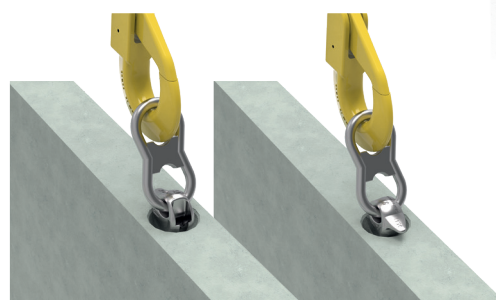


- Safely connects in any direction: Towards or away from the tail
- Symmetrical chain link design centers the load and reduces hook, line and shackle damage
- No unsafe/incorrect connection method



Tail down

Tail up



Tail towards load

Tail away from load

*Always connect tail axis in line with the rigging