

# Design Sheet - Ancon Tension Systems

## Anchor Disc Cross Brace Three Bars

### 1. Contact Details

Contact name .....

Company .....

Address .....

.....

.....

Tel .....

Email .....

### 2. Project Details

Project name and address .....

.....

.....

.....

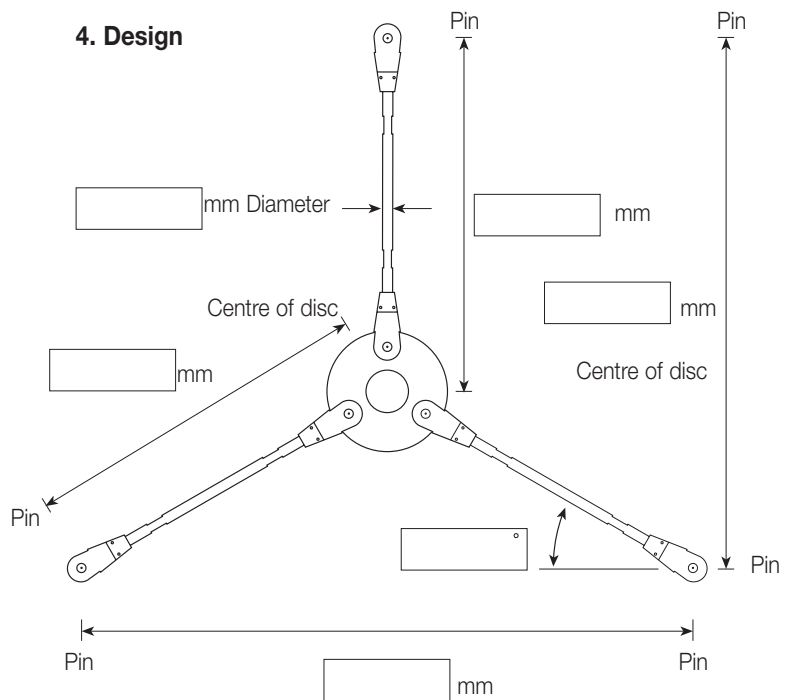
**Please tick one**

Order     Quotation Request

### 3. Finish (please tick one)

- Stainless Steel 4 = Bright drawn bar, electro-polished fork and nut, machined disc
- Stainless Steel 5 = Bright drawn bar, satin-polished fork, nut and disc
- Stainless Steel 6 = Hand polished bar, fork, nut and disc

### 4. Design



Quantity of this design

