

INSTALLATION GUIDE RM 63 REMEDIAL WALL TIE

Ancon[®]

Drill a hole through the outer leaf and into the inner to a minimum depth of 60mm using a 10mm drill bit. Remove dust and debris.

Inject two part polyester resin into the hole in inner leaf ensuring the hole is fully filled.

Gently push remedial wall tie into the resin filled hole, brass shell outer, and leave to set for a minimum of 45 minutes. (Resin manufacturer's technical data should be checked for exact gel time).

Carry out pull test to tie on inner leaf if required.

To fix outer leaf insert the hexagonal setting tool over the small nut on the tie and turn clockwise until hand tight. Remove setting tool. (1.2 - 2Nm)

Make good the outer brick using colour matched mortar or mastic.

Ancon 63 Range

Cavity Width (mm)	Tie Lengths (mm)	Drill Diameter (mm)	Drill Depths (mm)
50-75	200	10	60 min.
76-100	225	10	60 min.
101-125	250	10	60 min.
126-175	300	10	60 min.

Spacings. Accepted practice is to follow BS 5628 i.e. 900mm horizontally and 450mm vertically in a staggered pattern with 300mm vertical centres around openings within 225mm of the opening. For cavities over 100mm, horizontal spacing may need to be reduced to 450mm

Failure Loads (Pull-Out)

Base Material	Compressive Strength (N/mm ²)	Failure Load (kN)
Hard Brick (Accrington Nori)	80	5.6
Soft Brick (Yellow Imperial)	30	3.8
Portland Stone	20	5.3
Dense Aggregate Block	7	1.9

Note. Test results are a mean of 5 tests

© Ancon, 2018

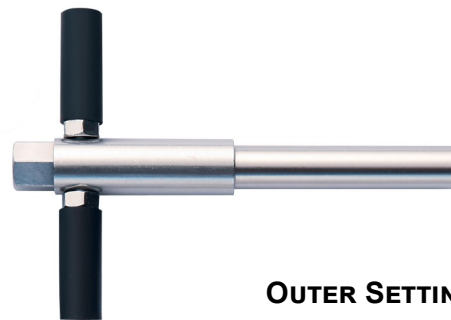
The Construction applications and details provided in this guide are indicative only.

In every case installation should be entrusted to appropriately qualified and experienced persons.

Normal handling precautions should be taken to avoid physical injury. Ancon cannot be held responsible for any injury as a result of using our products, unless such injury arises as a result of our negligence.



RM63 REMEDIAL WALL TIE



OUTER SETTING TOOL

Ancon[®]

Tel: 1300 304 320
Email: info@ancon.com.au
Web: www.ancon.com.au