

ANCON INTERNAL HEAD RESTRAINTS

IHR Head Restraint provide the necessary restraint at the top of masonry walls. The top stem fits inside the lower angle section to allow vertical movement to take place between the wall and the structural frame. The standard IHR is designed to suit a 190mm high block.

POSITION

IHR Head Restraints will typically be positioned at 450mm or 900mm centres depending on the expected load at the top of the wall. Each stem can resist a maximum load of 1.5kN. IHR-B and IHR-V respectively have a hole and slot to suit an M8 bolt.

IHRs should ideally be position centrally in the width of the wall, where this is not possible the centre of the stem should be at least 50mm from the edge of the wall. The gap at the top of the wall should be no more than 25mm.

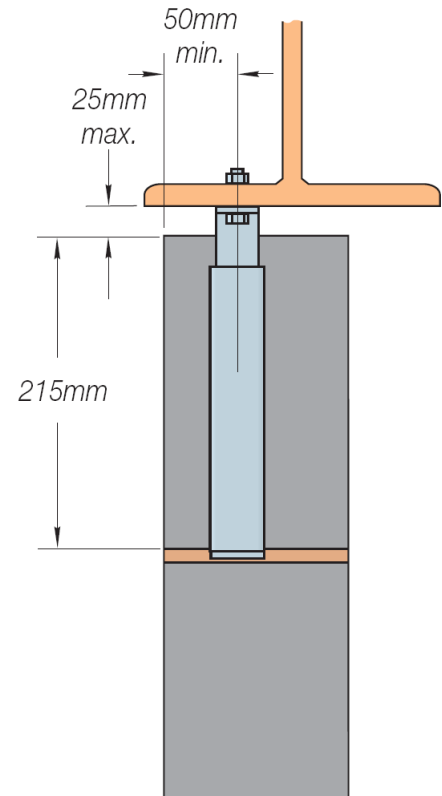
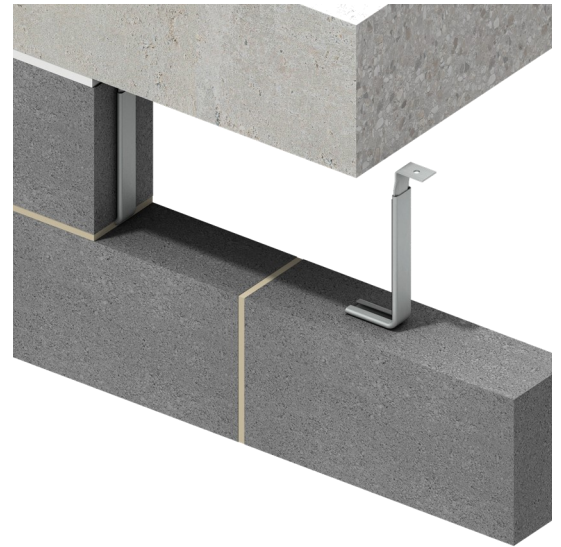
The horizontal leg of the lower section which is approximately 6mm thick, should be placed directly on top of the block below. Both the bed joint and each side of the stem in the vertical joint should be filled with mortar.

FIXINGS

Where IHR-B or IHR-V are used, the head of the fixing bolt will reduce the amount of possible vertical movement. Bolt projections should be kept to a minimum, the top of the block may need to be cut back locally to accommodate the fixing head.

SAFETY PRECAUTIONS

Ancon stainless steel products are produced from sheared plate. As with all such industrial fabrications, these may present sharp edges. **Suitable personal protective equipment should be worn at all times during handling and installation.**



© Ancon, 2018

The Construction applications and details provided in this guide are indicative only.

In every case installation should be entrusted to appropriately qualified and experienced persons.

Normal handling precautions should be taken to avoid physical injury. Ancon cannot be held responsible for any injury as a result of using our products, unless such injury arises as a result of our negligence.