

Installation Guide Sliding Anchors

Ancon SAH – Sliding Anchors

Sliding anchor fixings provide restraint to the top of masonry cavity wall panels. They are not intended for use with single leaf masonry panels. The sliding anchor fixing will accommodate vertical movement due to shrinkage or thermal movement of the wall or structural frame. The sliding anchor ties slide up or down relative to the movement.

Installation

The sliding anchor stems can be fixed to concrete or steelwork. The standard method of fixing to concrete is achieved by utilising an M10 single expansion bolt through the standard 12mm diameter hole in the head of the stem. The size of hole in the stem can be varied between 6mm and 14mm dependant upon the type of bolt used. The sliding anchor stems can also be fixed back to 30/20 and 28/15 cast-in channels.

When fixing to steelwork, it is recommended that stainless steel setscrews are used with nylon washers to give insulation between the bolt head and the structural steel.

It is important when the stem is installed that it is vertical in both planes and central in the clear cavity.

Tie Installation

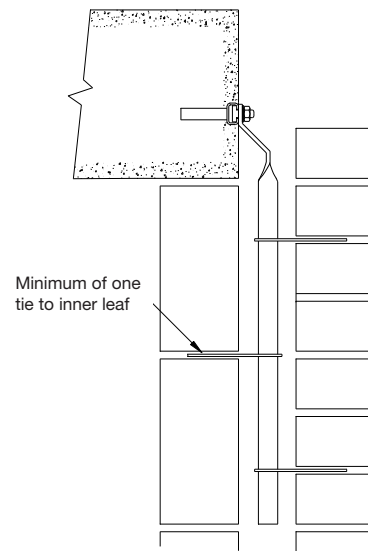
To correctly install sliding anchors, at least one and preferably two ties should be positioned in the inner leaf.

The length of both one-way and two-way ties should be such to allow a recommended embedment of 62.5mm in each leaf, thus allowing some tolerance for cavity variations. It is recommended that the uppermost tie be positioned not more than 150mm below the fixing position.

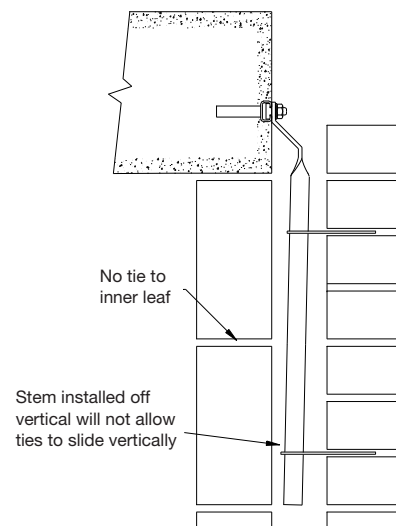
Safety Precautions

Ancon stainless steel products are produced from sheared plate. As with all such industrial fabrications, these may present sharp edges. **Suitable personal protective equipment should be worn at all times during handling and installation.**

✓ Correct Installation



✗ Incorrect Installation



© Leviat, 2020

The Construction applications and details provided in this guide are indicative only. In every case installation should be entrusted to appropriately qualified and experienced persons. Normal handling precautions should be taken to avoid physical injury. Leviat cannot be held responsible for any injury as a result of using our products, unless such injury arises as a result of our negligence.