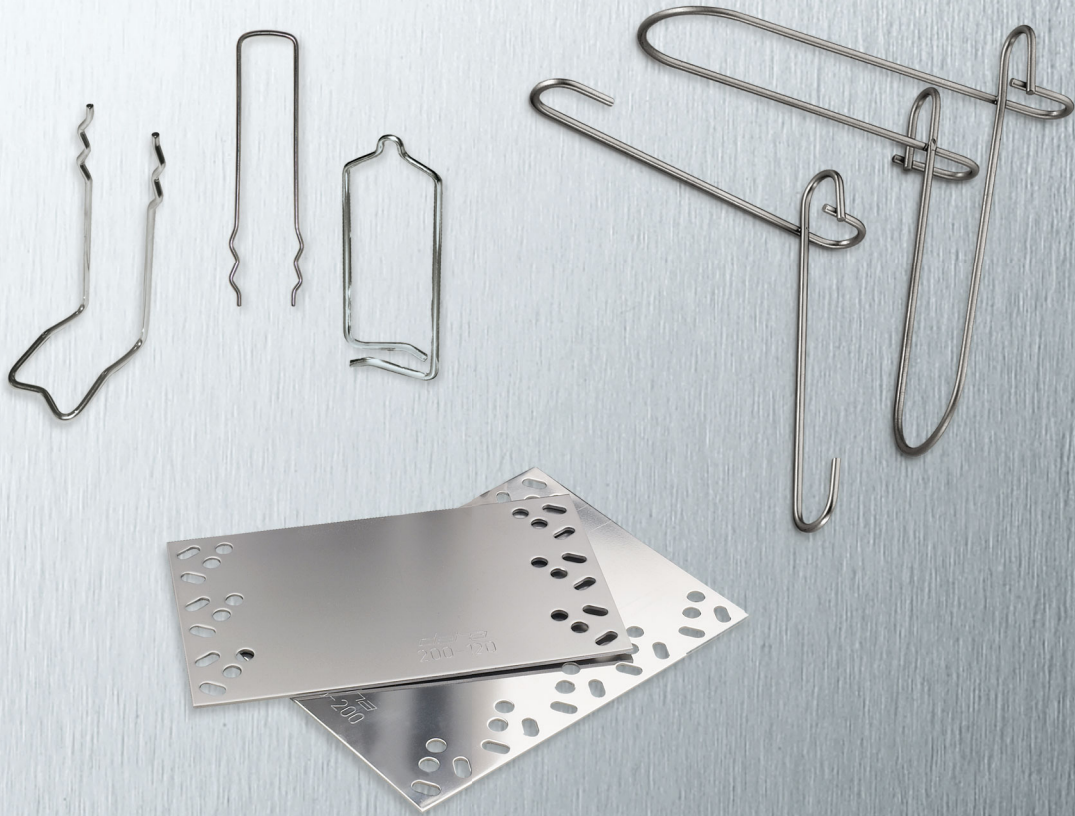


# HALFEN SANDWICH PANEL ANCHORS

## TECHNICAL PRODUCT INFORMATION



HALFEN SANDWICH PANEL ANCHORS

SP 19-AUS-E

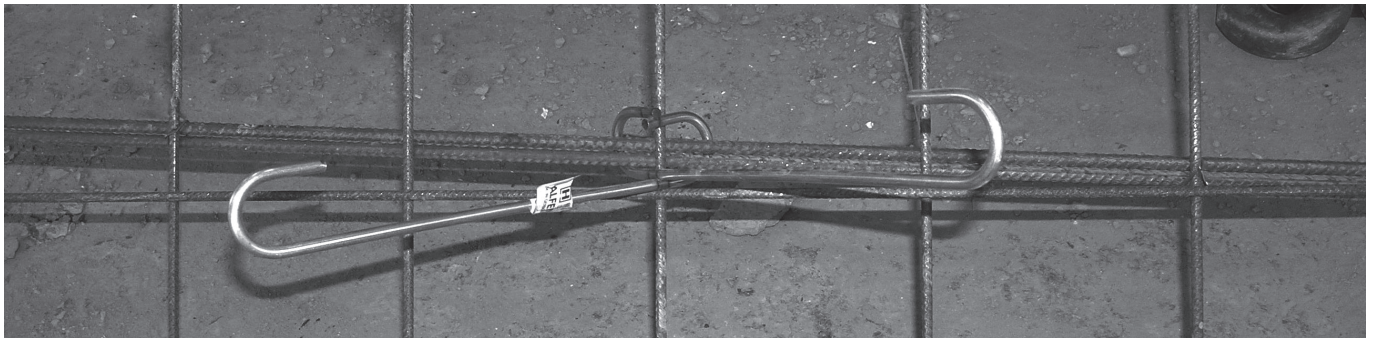
FAÇADE



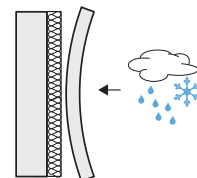
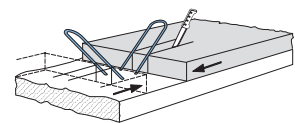
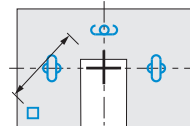
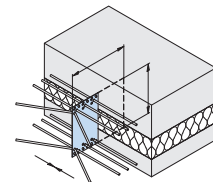
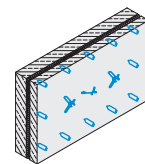
**HALFEN**

# HALFEN SANDWICH PANEL ANCHORS

## Contents



<b>General</b>	<b>3</b>
Anchor systems	4
Basics of design calculation	5
Overview of available anchors	6
<b>Anchor types</b>	<b>8</b>
Supporting anchors	8
Torsion anchors/Horizontal anchors	10
Restraint ties	11
Anchor calculation	12
<b>Supporting systems</b>	<b>18</b>
Fulcrum of the sandwich panels	19
Mixed systems and special solutions	20
Supporting system FA	22
Supporting system SPA	23
Production processes	25
<b>Assembly and installation</b>	<b>26</b>
Placing anchors in the bottom concrete layer	26
Placing the heat insulation layer	28
Placing anchors in the upper concrete layer	30
<b>Basics</b>	<b>32</b>
Deformation of sandwich panels	33
Geometric boundary conditions	35
Forming the facing layer	35
Forming the load-bearing layer	35
Designing the corner elements	35
Panel length	36
<b>Further products for Sandwich panels</b>	<b>37</b>
Transport anchor systems KKT and TPA	37
Precast panel connector HVL	38
Betojuster HBJ-W	38



# HALFEN SANDWICH PANEL ANCHORS

## General

### HALFEN SP Sandwich panel anchors

HALFEN offers two different types of anchors to connect facing and load-bearing layers of sandwich elements.

- SP-SPA Sandwich panel anchors
- SP-FA Flat anchors


### HALFEN SP benefits

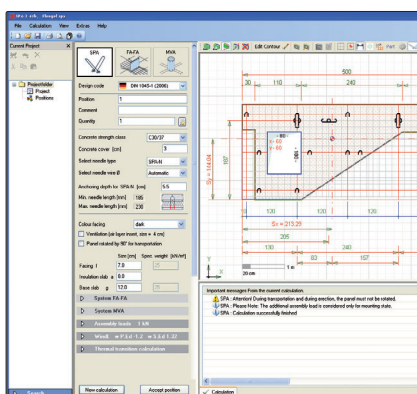
- quick and easy assembly
- easy planning with the free HALFEN Software
- safety through building authority approvals
- EnEV compatible with minimal thermal bridges
- sustainability through high corrosion resistant stainless steel
- combination of different systems for high versatility, for example in thin building components and above openings

Dedicated software to ease calculation and to select the correct anchor types

### Main benefits

- interactive, easy to use graphical user interface (GUI)
- time efficient, quick and easy input of virtually any slab geometry
- design calculation of each restraint tie and all supporting, horizontal anchors
- free selection of load-anchor positions by the user
- only statically required anchors and pins are displayed
- cost effective economical design
- verifiable printout with detailed results
- all anchor and pin positions remain freely adjustable
- variable wind load input
- software takes the actual wind loads (project /country specific) into account instead of using a standard basic method
- lower wind loads increases anchor residual load bearing capacities resulting in cost-effective designs
- heat transmission value calculation evaluates thermal bridging effects of anchors
- unfavourable standard DIN 4108 calculation methods are avoided by accurate calculation of thermal bridges

 Optimized anchor design with FE possible!



ANCHORAGE SPOTS/FIX						
Anchorage F (Warping caused by temperature) $H_d$ [kN] (The - sign equals pressure) $\gamma_Q=1.0$						
A1	A2	A3	A4	A5	A6	
1.8056	0.9056	1.1956	-1.8612	-2.9612	-2.3112	
Supposition: Anchorage with windload: $\gamma_Q=1.5$						
(Warping + Wind press.) [kN]	A1 NE.d	[-2.58]	A2 NE.d	[-1.28]	A3 NE.d	[-1.93]
(Warping + Wind suction) [kN]	A1 NE.d	[2.66]	A2 NE.d	[1.73]	A3 NE.d	[2.32]
(Warping + Wind press.) [kN]	A4 NE.d	[-2.44]	A5 NE.d	[-3.74]	A6 NE.d	[-3.09]
(Warping + Wind suction) [kN]	A4 NE.d	[2.52]	A5 NE.d	[3.82]	A6 NE.d	[3.17]

**Assembly loads 1 kN**

**Wind loads**

Wind loads ? Default values

Wind pressure  $w_{p,Ed}$  [kN/m<sup>2</sup>] -1.2

Wind suction  $w_{s,Ed}$  [kN/m<sup>2</sup>] 1.32

Detail report of thermal transmission calculation				Based on: DIN EN ISO 6946 - 2008-4	
<b>Quantity</b>	<b>Type</b>	<b>Value</b>	<b>Unit</b>	<b>Standard</b>	<b>Notes</b>
Needs	Needs Type	SP6-N-04-200-A4			
Load bearing anchors	Anchotype	SP6-2-05-200-A4			
Torsion anchor	Anchotype	SP6-1-05-200-A4			
<b>Wall construction</b>					
Thickness $d$	$\lambda$ [W/m·K]	$d/\lambda$ [m <sup>2</sup> ·K/W]			Without rear ventilation
Needs	0.13				
<b>Coefficient of thermal transmission inside <math>R_{si}</math></b>					
Facing	7 cm	2.1	0.03333		
Insulation	8 cm	0.035	2.28571		
Base slab	12 cm	2.3	0.03217		
<b>Coefficient of thermal transmission outside <math>R_{se}</math></b>					
			2.3412	[m <sup>2</sup> ·K/W]	
<b>Heat bridge loss coefficient per item <math>\Sigma</math> [W/K]</b>					
Needs	0.00345659	Total area of all parts	6.115	[m <sup>2</sup> ]	
Load bearing anchors	0.0137035	Total area of all parts	5.9316	[m <sup>2</sup> ]	
Torsion anchor	0.00685177	Area proportion of all parts	0.0055	%	
<b>Coefficient of thermal transmission wall <math>U</math></b>					
Coefficient of thermal transmission	$U$	0.3935	[W/m <sup>2</sup> ·K]		
$\Delta U$	0.01126	[W/m <sup>2</sup> ·K]			
$U_T$	0.04177	[W/m <sup>2</sup> ·K]			
Proportion thermal bridge		2.7066	%		

**Note:** All software calculations, especially static values, refer exclusively to HALFEN SP-systems.

The basis for calculation is approval Z-21.8-1926 and approval Z-21.8-1979. Apparently identical non-HALFEN products may differ substantially in their performance. These differences may be critical.

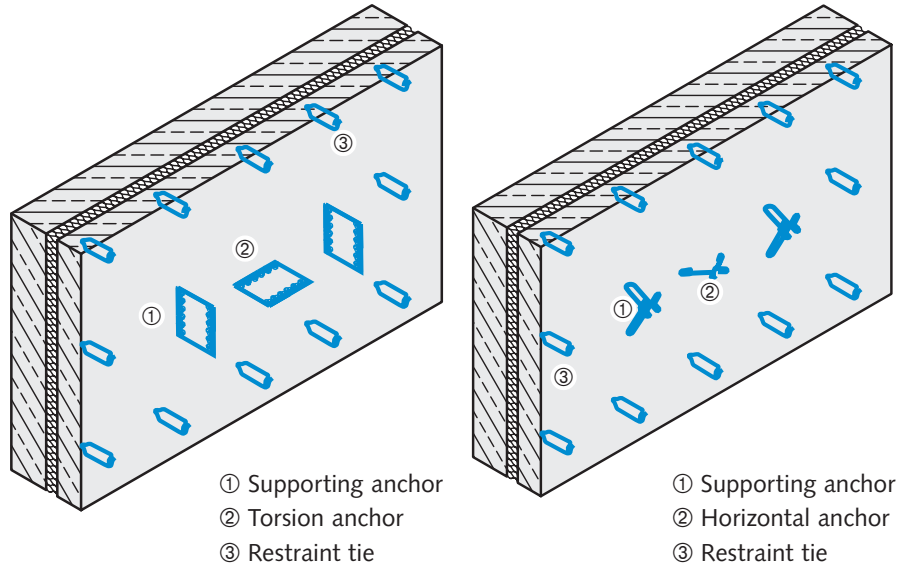
This HALFEN Software must not be used to calculate non-HALFEN products. HALFEN GmbH is not liable for calculations with HALFEN Software when using non-HALFEN products.

# HALFEN SANDWICH PANEL ANCHORS

## Supporting Systems

### Function of the anchors

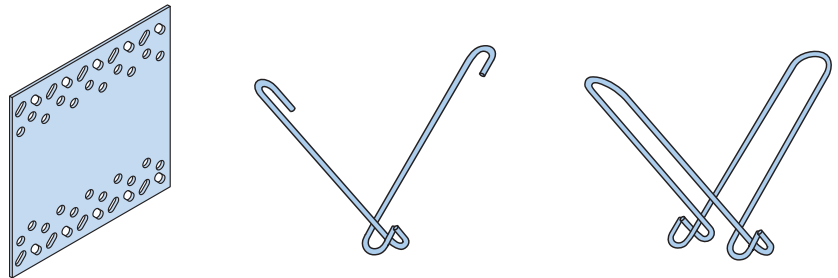
Sandwich panels with SPA and FA supporting systems basically have 2 supporting anchors, i.e. anchor groups, and 1 horizontal anchor (in the case of panels rotated for transporting, 2 horizontal anchors or anchor groups are standard).



### Supporting anchors

see page 8

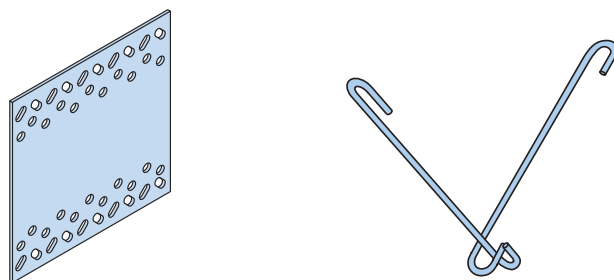
Supporting anchors are primarily responsible for carrying the resulting vertical loads from the dead load of the facing layer. Eccentric loads (planned or unplanned) should also be taken into account, as well as horizontal loads from wind, warping etc.



### Torsion anchors / Horizontal anchors

see page 10

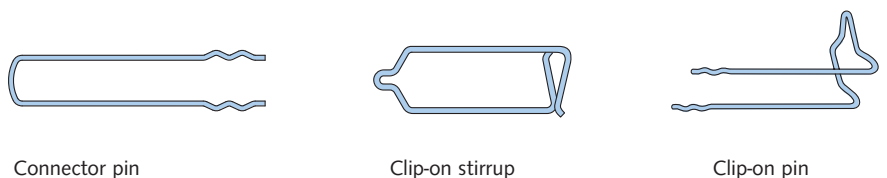
The function of the horizontal anchors is to carry horizontally acting forces (for example: from panels hanging askew on the crane, impact forces during lifting or wind forces on soffits). The horizontal anchors must be sufficiently dimensioned to allow for loads when panels are rotated for transport.



### Restraint ties

see page 11

Restraint ties carry the forces acting vertically to the panel surface resulting from temperature-deformation, wind or the adhesion to formwork.



# HALFEN SANDWICH PANEL ANCHORS

## Anchor Calculation

### Basics

The design load capacities  $V_{Rd}$ ,  $N_{Rd}$ ,  $M_{Rd}$  already take the partial safety factors for the materials into account.  $V_{Rd}$ ,  $N_{Rd}$ ,  $M_{Rd}$  need to be compared with the partial safety coefficient increased action  $V_{Ed}$  (vertical loads, for example dead load of the facing layer and if required any additional loads present),  $N_{Ed}$  (horizontal loads, for example from wind

loads and deformation) and  $M_{Ed}$  (only for the FA system) as specified in the appropriate approval.

The horizontal loads are mainly affected by the geometry of the slab, the grid spacing as well as the position of the anchors.

### Design loads for HALFEN Software

#### 1. Vertical Loads

The dead weight of the facing layer plus any existing additional loads are to be taken into account as acting vertical loads.

#### 2. Warp loads

- the warp loads are normally verified according to Utescher; whereby the following factors are considered:
- anchor arrangement in a grid with a side-ratio of  $0.75 \leq l_x/l_y \leq 1.33$
- facing layer thickness  $f = 70-120\text{ mm}$  (further verification is necessary for thicker facing layers)
- temperature stresses according to DIBt Guidelines 5/1995:

temperature gradient for three-layer panel without ventilation gap (dark surface)  $\Delta T = \pm 5^\circ\text{K}$



Alternative verification of the warp loads using FE is possible!

#### 3. Wind loads according to DIN EN 1991-1-4/NA Germany for SP-FA and SP-SPA

A sandwich panel with an anchor grid of max.  $l_x \times l_y = 1.20\text{ m} \times 1.20\text{ m}$  is assumed. The wind design loads in the table [kN/m<sup>2</sup>] take the following assumptions into account:

- simplified velocity pressure for building heights up to 25 m
- applicable for inland regions and wind zones 1 and 2
- wind action area  $\leq 1\text{ m}^2$  (unfavourable assumption)
- $h/d \geq 5$  (unfavourable assumption)
- "Standard region" includes zone D (for pressure) and B (for suction)
- "Periphery region" includes zone D (for pressure) and A (for suction)

Considered combinations				
Building height	Wind zone 1		Wind zone 2	
	Normal region	Periphery region	Normal region	Periphery region
$\leq 10\text{ m}$	$w_{D,k} = 0.50$	$w_{D,k} = 0.50$	$w_{D,k} = 0.65$	$w_{D,k} = 0.65$
	$w_{S,k} = -0.55$	$w_{S,k} = -0.85$	$w_{S,k} = -0.72$	$w_{S,k} = -1.11$
$\leq 18\text{ m}$	$w_{D,k} = 0.65$	$w_{D,k} = 0.65$	<b><math>w_{D,k} = 0.80</math></b>	$w_{D,k} = 0.80$
	$w_{S,k} = -0.72$	$w_{S,k} = -1.11$	<b><math>w_{S,k} = -0.88</math></b>	$w_{S,k} = -1.36$
$\leq 25\text{ m}$	$w_{D,k} = 0.75$	$w_{D,k} = 0.75$	$w_{D,k} = 0.90$	$w_{D,k} = 0.90$
	$w_{S,k} = -0.83$	$w_{S,k} = -1.28$	$w_{S,k} = -0.99$	$w_{S,k} = -1.53$

The default wind loads in the HALFEN Calculation software are for a building with a height  $\leq 18\text{ m}$  in a standard region for wind zone 2 ( $w_{D,k} = 0.80$  and  $w_{S,k} = -0.88$ ).

Other wind loads variables can be entered by the user.

#### 4. Distance from anchors to the fulcrum e

The following influencing factors are taken into account when calculating the admissible distances e:

- Heat insulation thickness b
- Temperature stress according to DIBt guidelines 5/1995:
 

Load-bearing layer temperature (internal, total year)	$\vartheta_i = +20^\circ\text{C}$
Facing layer temperature in summer	$\vartheta_a = +65^\circ\text{C}$
Facing layer temperature in winter	$\vartheta_a = -20^\circ\text{C}$
Temperature difference compared to condition at installation	$\Delta T = \pm 45^\circ\text{K}$

# HALFEN SANDWICH PANEL ANCHORS

## Overview of Available Anchors

### Available Anchors



Available heights and lengths of anchors can be found in the following tables.

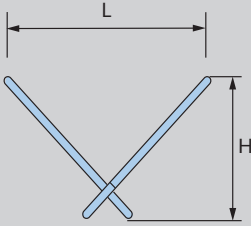
Available anchor lengths L [mm]								
Anchor type	Order no. 0771.010-	H=150 mm	Order no. 0771.010-	H=175 mm	Order no. 0771.010-	H=200 mm	Order no. 0771.010-	H=225 mm
<b>FA-1</b> 	00001	40	00011	40	00021	40	00031	40
	00002	80	00012	80	00022	80	00032	80
	00003	120	00013	120	00023	120	00033	120
	00004	160	00014	160	00024	160	00034	160
	00005	200	00015	200	00025	200	00035	200
	00006	240	00016	240	00026	240	00036	240
	00007	280	00017	280	00027	280	00037	280
	00008	320	00018	320	00028	320	00038	320
	00009	360	00019	360	00029	360	00039	360
	00010	400	00020	400	00030	400	00040	400
<b>FA-2</b> 	Order no. 0771.020-	H=175 mm	Order no. 0771.020-	H=200 mm	Order no. 0771.020-	H=225 mm	Order no. 0771.020-	H=260 mm
	00001	40	00011	40	00021	40	00031	40
	00002	80	00012	80	00022	80	00032	80
	00003	120	00013	120	00023	120	00033	120
	00004	160	00014	160	00024	160	00034	160
	00005	200	00015	200	00025	200	00035	200
	00006	240	00016	240	00026	240	00036	240
	00007	280	00017	280	00027	280	00037	280
	00008	320	00018	320	00028	320	00038	320
	00009	360	00019	360	00029	360	00039	360
00010	400	00020	400	00030	400	00040	400	
<b>FA-3</b> 	Order no. 0771.030-	H=260 mm	Order no. 0771.030-	H=280 mm	Order no. 0771.030-	H=300 mm	Order no. 0771.030-	H=350 mm
	00001	80	00010	80	00018	80	00026	80
	00002	120	00011	120	00019	120	00033	120
	00003	160	00012	160	00020	160	on request	160
	00004	200	00013	200	00021	200	00027	200
	00005	240	00014	240	00022	240	00028	240
	00006	280	00016	280	00023	280	00029	280
	00007	320	00017	320	00024	320	00030	320
	00008	360	00039	360	00025	360	00031	360
00009	400	00040	400	on request	400	00032	400	

Subject to design changes




Note: Larger anchor heights on request

# HALFEN SANDWICH PANEL ANCHORS

## Overview of Available Anchors

SPA Sandwich panel anchors: available anchor heights H and anchor lengths L [mm]																
Anchor type	Steel bars- $\phi$ [mm] 05				Steel bars- $\phi$ [mm] 07				Steel bars- $\phi$ [mm] 09				Steel bars- $\phi$ [mm] 10			
	Order no. SPA-1 0270. SPA-2 0271.	H	L		Order no. SPA-1 0270. SPA-2 0271.	H	L		Order no. SPA-1 0270. SPA-2 0271.	H	L		Order no. SPA-1 0270. SPA-2 0271.	H	L	
<b>SPA-1/SPA-2</b>  	010-00001	160	265		010-00003	160	260									
	010-00002	180	305		010-00004	180	300									
	010-00110	200	345		010-00005	200	340									
					010-00006	220	380		010-00138 ①	220	375					
					010-00007	240	420		010-00139 ①	240	415					
					010-00008	260	460		010-00111	260	455					
									010-00112	280	495					
									010-00113	300	535					
									010-00114	320	575					
									010-00115	340	615		010-00015	340	610	
									010-00116	360	655		010-00016	360	650	
												010-00103	380	690		
												010-00105	400	730		
												010-00107	420	770		
											010-00109	440	810			

① valid only for SPA-1. For SPA-2 order numbers please see the HALFEN price list.

Connector pins; SPA-N, stirrup ties SPA-B, clip-on pins SPA-A: available anchor heights H [mm]								
Anchor type	Steel bars- $\phi$ [mm] 03		Steel bars- $\phi$ [mm] 04		Steel bars- $\phi$ [mm] 05		Steel bars- $\phi$ [mm] 06	
	Order no. 0274.010-	H	Order no. 0274.020-	H	Order no. 0274.030-	H	Order no. 0274.040-	H
<b>SPA-N</b>  	00001	120						
	00002	140						
	00003	160	00001	160				
	00004	180	00002	180				
	00005	200	00003	200				
			00004	220				
			00005	240	00001	240		
					00002	260		
					00003	280		
					00004	300		
					00005	320		
						00001	340	
						00002	360	
						00003	380	
						00004	400	
						00005	420	
<b>SPA-B</b>  	Order no. 0273.010-	H	Order no. 0273.020-	H	Order no. 0273.030-	H		
	00001	160	00001	160				
	00002	180	00002	180				
			00003	200				
			00004	220				
			00005	240	00001	240		
					00002	260		
					00003	280		
					00004	300		
					00005	320		
<b>SPA-A</b>  	Order no. 0272.010-	H	Order no. 0272.030-	H	Order no. 0272.050-	H		
	00001	120						
	00002	140						
	00003	160	00001	160				
	00004	180						
			00002	200	00001	200		
			00003	250	00002	250		
					00003	280		
					00004	320		

Subject to design changes

# HALFEN SANDWICH PANEL ANCHORS

## Anchor Types

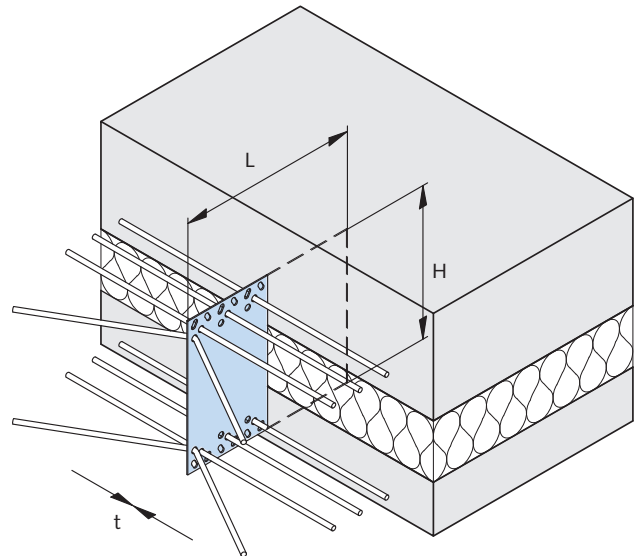
### Supporting anchors

#### FA Flat anchors

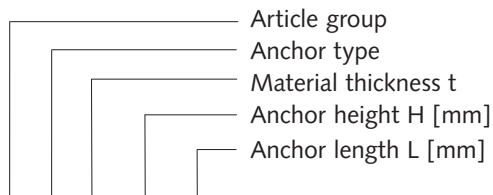
**Article name:** SP-FA-1 - height [mm] - length [mm]  
SP-FA-2 - height [mm] - length [mm]  
SP-FA-3 - height [mm] - length [mm]

Flat anchors are supplied in the following material thicknesses:  
1.5 mm, 2.0 mm or 3.0 mm.

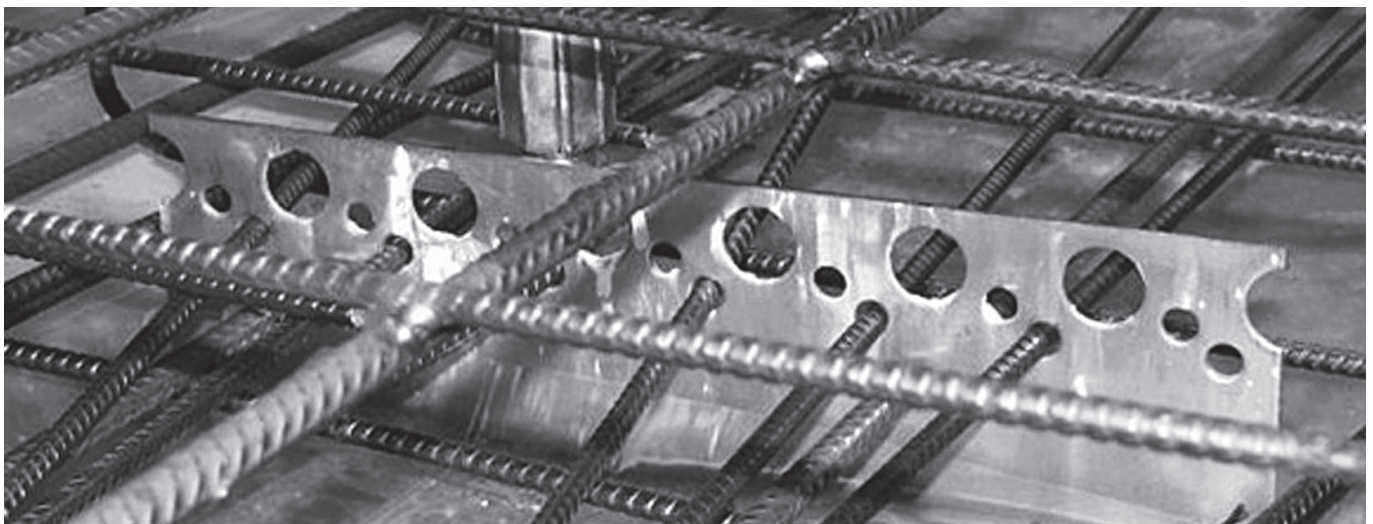
Two opposite sides have round and oval holes. The round holes are for the reinforcement bars and the oval holes are for embedding in the concrete. Flat anchors are used in FA systems as supporting anchors. The anchors are identified by a stamp showing anchor height, length and material thickness.



#### Ordering example:



SP - FA - 2 - 225 - 240



Installation of SP-FA-3 at the precast plant: the round holes in this type provide bond with the concrete.

# HALFEN SANDWICH PANEL ANCHORS

## Anchor Types

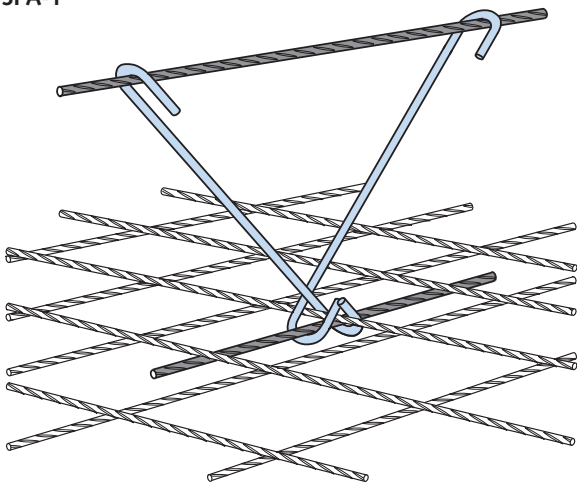
### SPA Sandwich panel anchors

**Article name:** SP-SPA-1 -  $\varnothing$  [mm] - height [mm]  
 SP-SPA-2 -  $\varnothing$  [mm] - height [mm]

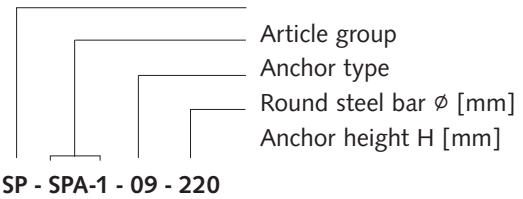
SP-SPA-1 and SP-SPA-2 Sandwich panel anchors are V-shaped anchors of round steel bar diameters of 5.0 mm, 6.5 mm, 8.5 mm and 10.0 mm. The bent ends serve both as anchorage in the concrete and to secure the reinforcement bars. Sandwich panel anchors are used in SPA systems as supporting anchors. They are identified by coloured adhesive labels showing type, diameter and height.

Colour marking				
Colour	Anchor type		Rebar $\varnothing$	Material
red	SPA-1	SPA-2	05	A4
blue	SPA-1	SPA-2	07	A4
orange	SPA-1	SPA-2	09	A4
yellow	SPA-1	SPA-2	10	A4

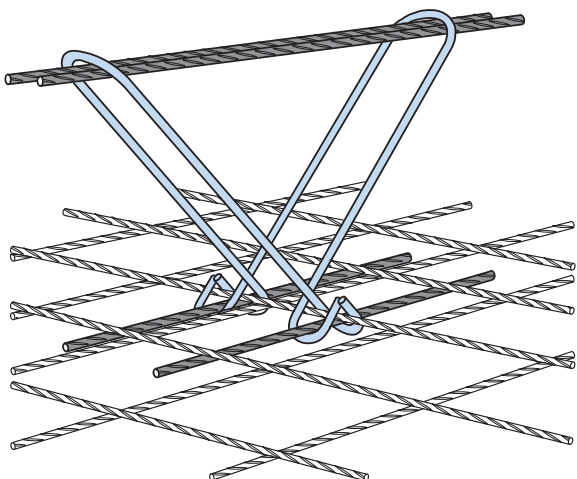
**SPA-1**



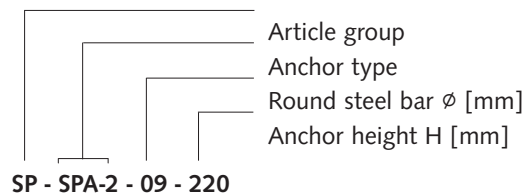
**Ordering example:**



**SPA-2**




**Ordering example:**



# HALFEN SANDWICH PANEL ANCHORS

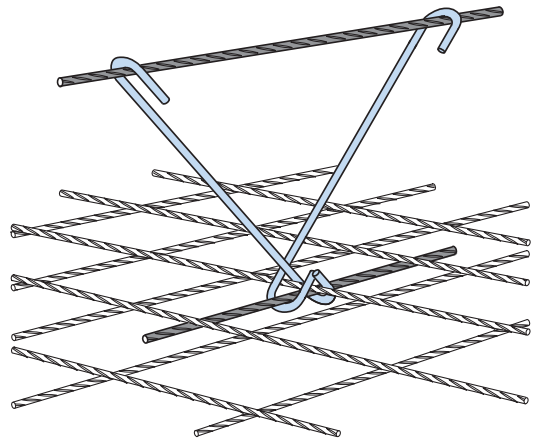
## Anchor Types

### Torsion anchors / Horizontal anchors

 The following anchor types can be used in sandwich panels as torsion or as horizontal anchors.

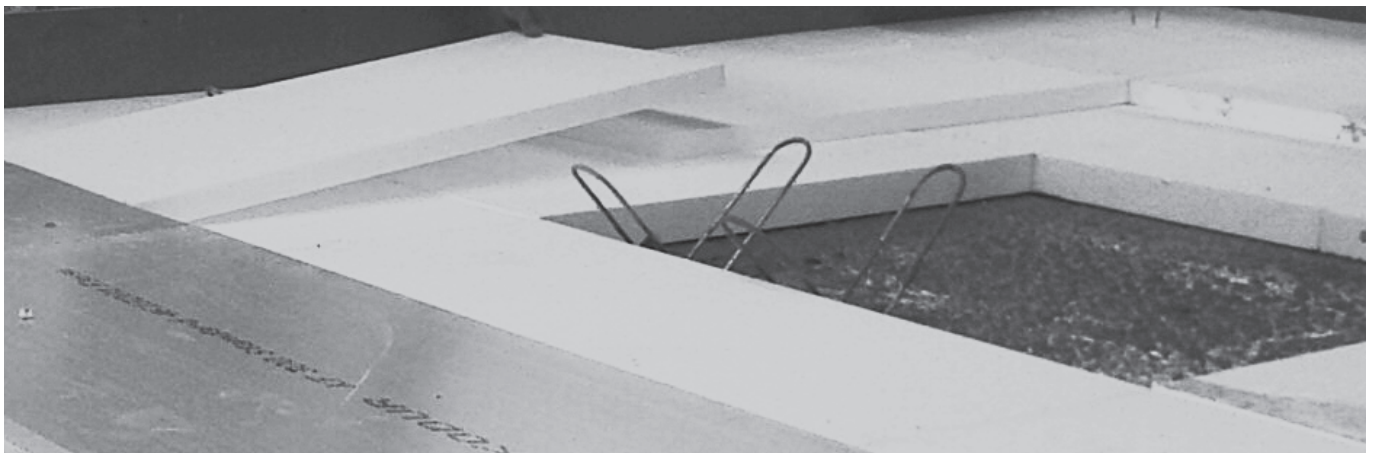
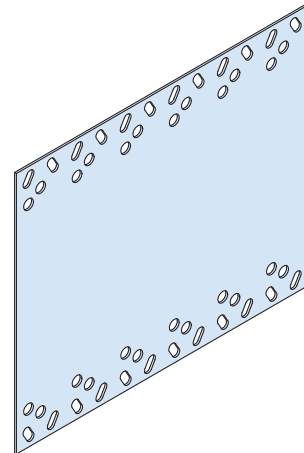
#### SPA Sandwich panel anchors

The SP-SPA-1 Sandwich panel anchor is used in SPA systems as a horizontal anchor (where necessary the SP-SPA-2 can also be installed as a horizontal anchor).



#### FA Flat anchor

The flat anchor is used in a FA system as a horizontal anchor.



Installation of SP-FA-2 at the precast plant

# HALFEN SANDWICH PANEL ANCHORS

## Anchor Types

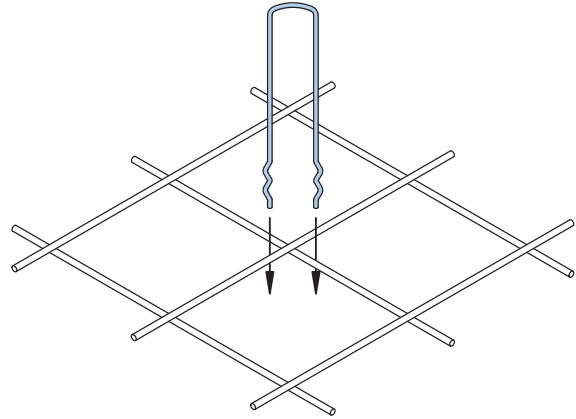
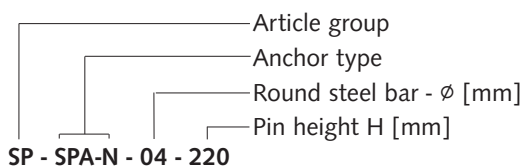
### Restraint ties

#### SPA-N Connector pins

**Article name:** SP-SPA-N -  $\varnothing$  [mm] - height [mm]

Connector pins are U-shaped bent wires with diameters of 3.0 mm, 4.0 mm, 5.0 mm and 6.5 mm. Both the corrugated ends and the round end of the anchor are embedded into the concrete.

#### Ordering example:

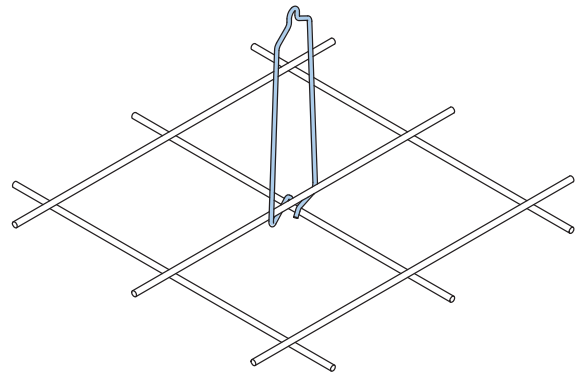
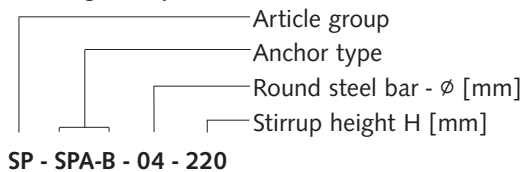


#### Stirrup tie (SPA-B)

**Article name:** SP-SPA-B -  $\varnothing$  [mm] - height [mm]

Stirrup ties are bent wires with diameters of 3.0 mm, 4.0 mm and 5.0 mm. They are positioned by hooking them around the bars in the reinforcement mesh. Both ends of the anchor are embedded into the concrete.

#### Ordering example:



#### Note:

The special shaped tip guarantees the transfer of tensile and compression forces, even in thin load bearing layers.

#### SPA-A Clip-on pins

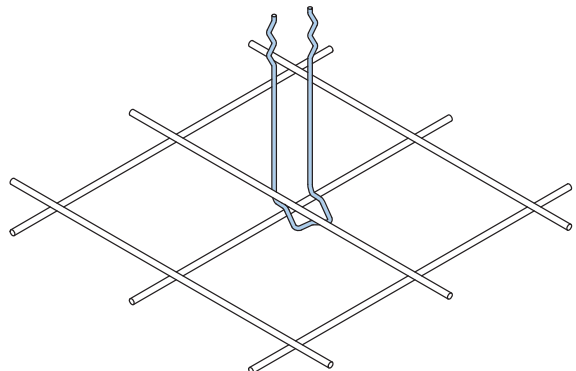
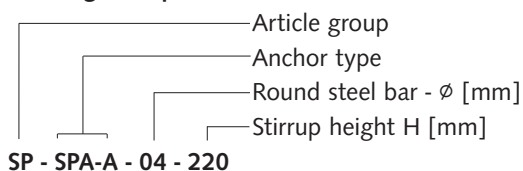
**Article name:** SP-SPA-A -  $\varnothing$  [mm] - height [mm]

Clip-on pins are connector pins in which the U-shaped end is bent at 90°.

Wire diameters: 3.0 mm, 4.0 mm and 5.0 mm.

They are embedded into the concrete at the corrugated end, the other end is hooked to the bars in the reinforcement mesh.

#### Ordering example:



# HALFEN SANDWICH PANEL ANCHORS

## Anchor Calculation

### FA Flat anchor

To calculate the load actions, the dead weight of the facing layer, the wind, the temperature (only  $\Delta T$ ) and if required the ground pressure have to be considered.

Required input values to calculate the load capacities are the anchor type, thickness of the insulation  $b$  and the thickness of the facing layer  $f$ .

The following types of failure have to be verified for the FA:

- pull-out failure
- pry-out failure
- concrete failure under the anchor
- steel failure



Calculation formulae and load capacities can be found in the FA general building approval.



We recommend calculating the anchor using the HALFEN Sandwich panel anchor calculation software. Available at [www.halfen.de](http://www.halfen.de)

### Material of the sandwich panel anchors:

Stainless steel A4, L4

(Material specification see page 32)

### Concrete grade:

Facing slab  $\geq C 30/37$

Load bearing slab  $\geq C 30/37$

### Reinforcement:

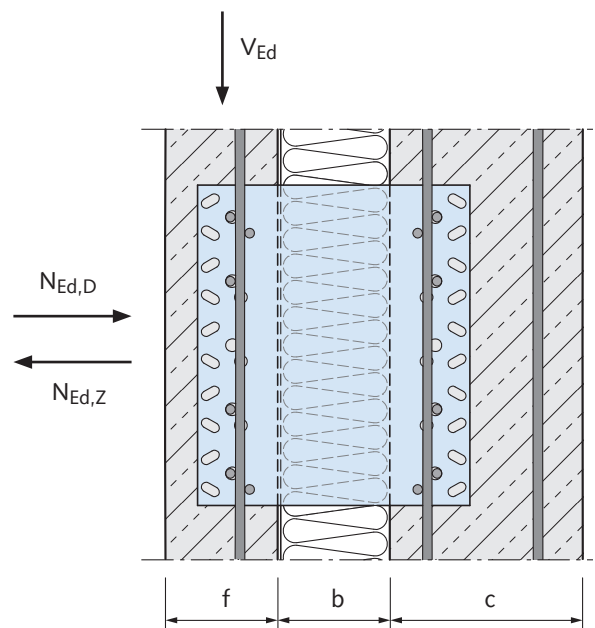
Reinforcing steel mesh B500A, B500B

Rebar B500A, B500B

### Minimum reinforcement for the concrete (facing) layer:

Mesh  $\geq 1.88 \text{ cm}^2/\text{m}$  in each layer,

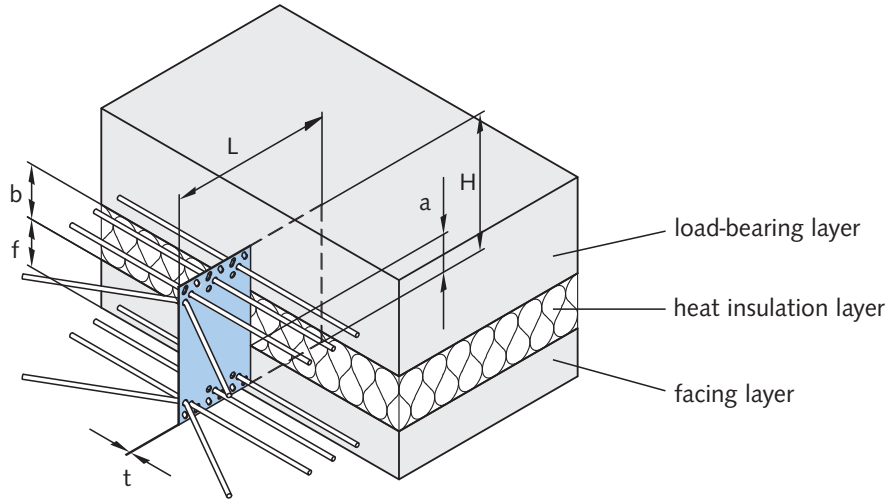
two layers if  $f$  or  $c \geq 10 \text{ cm}$



# HALFEN SANDWICH PANEL ANCHORS

## Anchor Calculation

### FA Flat anchor



### Minimum embedment depth for the FA Flat anchor

The minimum embedment depth (a) of the flat anchor in the load-bearing and facing layer can be found in the table (see right).

Minimum embedment depth a, minimum concrete cover c <sub>nom</sub> [mm]		
f [mm]	b = 30–250 mm	
	a [mm]	c <sub>nom</sub> [mm]
60 ①	50	10
70-120	55	15

① According to EN 1992-1-1/NA:2013-04 f<sub>min</sub> ≥ 70 mm applies for the slab thickness.

### Selecting the anchor height for the FA

The height of the flat anchor (H) depends on the thickness of the insulation layer (b) and the embedment depth (a).


$$H \geq 2 \times a + b$$

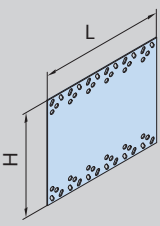
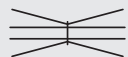


Anchor height H [mm]															
f [mm]	b [mm]														
	30	40	50	60	70	80	90	100	120	140	160	180	200	230	250
60 ①	150	150	175	175	175	200	200	225	225	260	280	300*	325*	350*	375*
70-120	150	150	175	175	200	200	200	225	260	260	280	300*	325*	350*	375*

① According to EN 1992-1-1/NA:2013-04 f<sub>min</sub> ≥ 70 mm applies for the slab thickness.  
\* on request

### Additional reinforcement for the FA

The anchoring bars have to be placed in the facing and load-bearing layers. The number of reinforcement bars depends on the length of the flat anchor.

 Please refer to the overview of available anchors on page 6.

Anchoring in concrete			
Flat anchor	Length L [mm]	Symbol	Anchoring bars B500A, B500B
	80		2 × 4 Ø 6 mm l = 400 mm
	120		2 × 5 Ø 6 mm l = 400 mm
	160, 200, 240, 280		2 × 6 Ø 6 mm l = 400 mm
	320, 360, 400		2 × 7 Ø 6 mm l = 400 mm

# HALFEN SANDWICH PANEL ANCHORS

## Anchor Calculation

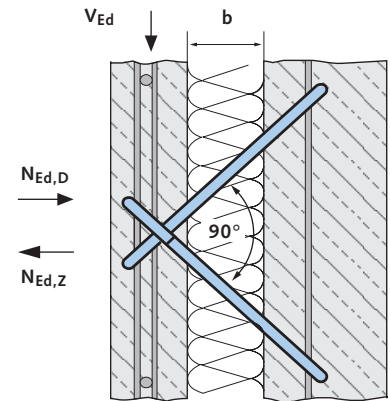
### SPA Sandwich panel anchor

To determine the load effects, the dead weight of the facing layer (earth pressure if applicable) wind load and warping effects resulting from temperature (only  $\Delta T$ ) must be taken into account.

Required input values for determining the allowable load-bearing capacity are anchor type, insulation layer thickness  $b$  and present horizontal loads. The allowable distances  $e_{max}$  depend on the insulation layer thickness  $b$ .

As an example, the following demonstrates the steel load-bearing capacity and the limit of concrete load-bearing capacity for SPA-1-09 and SPA-2-09 sandwich panel anchors.

It explains the procedure for calculating the vertical load-bearing capacity for an insulation layer thickness  $b = 12$  cm and an acting horizontal force of  $N_{Ed} = 3.0$  kN.



### Example: Load-bearing capacity for SP-SPA with $\phi$ 8.5 mm

Load-bearing strengths $F_{VR,d}$ [kN]			
$b$ [cm]	$e_{max}$ [cm]	SP-SPA-1-09 $V_{Rd,s} = N_{Rd,s,D}$	SP-SPA-2-09 $V_{Rd,s} = N_{Rd,s,D}$
6	102	26.59	53.18
7	132	25.29	50.57
8	166	24.02	48.03
9	204	22.78	45.56
10	246	21.58	43.16
11	292	20.42	40.84
(a) 12	342	19.30	38.61
13	395	18.23	36.46
14	453	17.21	34.41
15	515	16.23	32.47
16	580	15.31	30.62

### Example calculation:

Insulation layer thickness = 12 cm

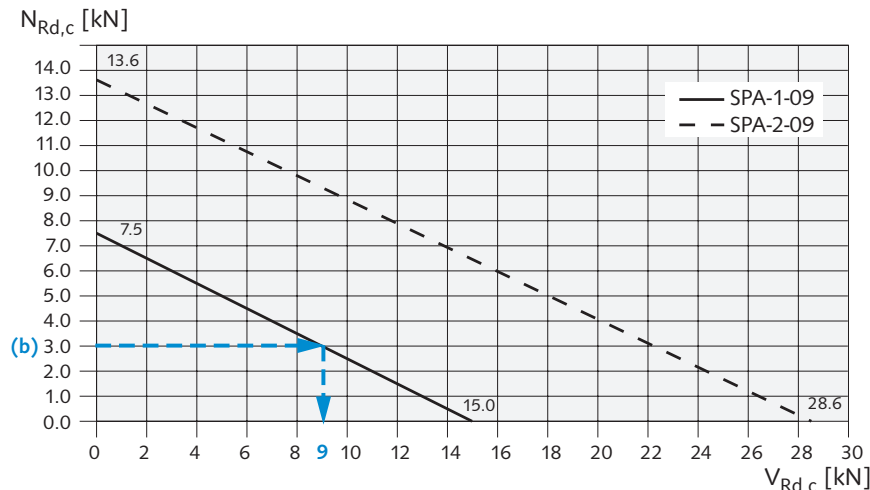
Determinant horizontal force

$N_{Ed} = 3.0$  kN

Supporting anchor SPA-1-09

1. Steel load-bearing capacity (vertical)  
 $\rightarrow V_{Rd,s} = 19.30 - 3.0 = 16.30$  kN (a)
  2. Concrete load-bearing capacity (vertical)  
 $\rightarrow V_{Rd,c} = 9.0$  kN (b)
- $\rightarrow$  **Concrete load-bearing capacity is decisive!  $V_{Rd} = 9.0$  kN**

### Concrete load-bearing capacity limit SPA-09



We recommend using HALFEN SPA Software for planning.

### Note:

The HALFEN Software verifications correspond with the equations in the Building Authority Approval, these deviate only in method from the example shown on this page. The results are identical.

Further tables and diagrams are available in the SPA German Building Approval – Annex 6 to 10

# HALFEN SANDWICH PANEL ANCHORS

## Anchor Calculation

### SPA Sandwich panel anchor

**Material for sandwich panel anchors:**

Stainless steel A4/L4 → see page 32

**Concrete quality:**

Facing layer ≥ C 30/37

Load-bearing layer ≥ C 30/37

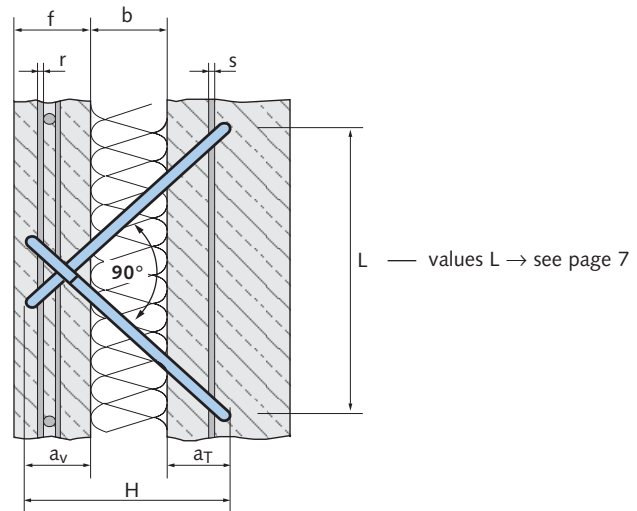
**Reinforcement:**

Reinforcing mesh B500A, B500B

Ribbed reinforcing bars B500A, B500B

**Minimum reinforcement for the facing layer:**

Square reinforcement mesh 1.3 cm<sup>2</sup> / m



**Minimum embedment depth of the SPA Sandwich panel anchors**

The minimum embedment depths  $a_v$ , and  $a_T$  in the facing and in the load-bearing layer depend on the diameter of the supporting anchor.

Minimum embedment depth a and selection of the anchor height H:

Type	Article name			
	SP-SPA-1-05 SP-SPA-2-05	SP-SPA-1-07 SP-SPA-2-07	SP-SPA-1-09 SP-SPA-2-09	SP-SPA-1-10 SP-SPA-2-10
$\phi$	5.0	6.5	8.5	10.0
b	30-70	40-150	60-250	200-300
$a_v$	≥ 49	≥ 50	≥ 53	≥ 54
$a_T$	≥ 55	≥ 55	≥ 55	≥ 55
H	$a_v + b + a_T$	$a_v + b + a_T$	$a_v + b + a_T$	$a_v + b + a_T$
f ①	≥ 60	≥ 60	≥ 60	≥ 60

All dimensions in [mm]

① According to EN 1992-1-1/NA:2013-04  $f_{min} \geq 70$  mm applies for the slab thickness.

**Additional reinforcement for the SPA**

Place anchoring bars in the facing and load-bearing layers. The length and diameter of the reinforcing bars depends on the anchor size.

Additional reinforcement

Type	SPA-1-05	SPA-1-07	SPA-1-09	SPA-1-10
r	1 $\phi$ 8 l = 450	1 $\phi$ 8 l = 450	1 $\phi$ 8 l = 700	1 $\phi$ 8 l = 700
s	1 $\phi$ 8 l = 700	1 $\phi$ 8 l = 700	1 $\phi$ 10 l = 700 ②	1 $\phi$ 10 l = 700 ②
Type	SPA-2-05	SPA-2-07	SPA-2-09	SPA-2-10
r	2 $\phi$ 8 l = 450	2 $\phi$ 8 l = 450	2 $\phi$ 8 l = 700	2 $\phi$ 8 l = 700
s	2 $\phi$ 8 l = 700	2 $\phi$ 8 l = 700	2 $\phi$ 10 l = 700 ②	2 $\phi$ 10 l = 700 ②

All dimensions in [mm]

② for  $L > 500$  mm l = 900 mm, for  $L > 800$  mm l = 1100 mm (values L → see page 7)



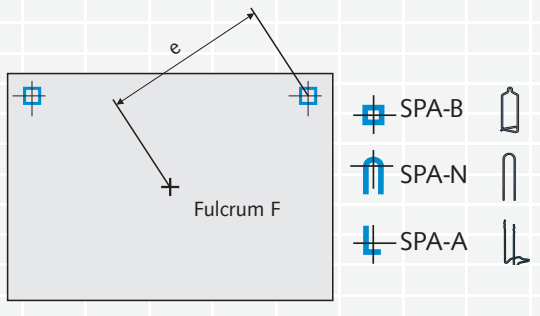
Please refer to the overview of available anchors on page 7.



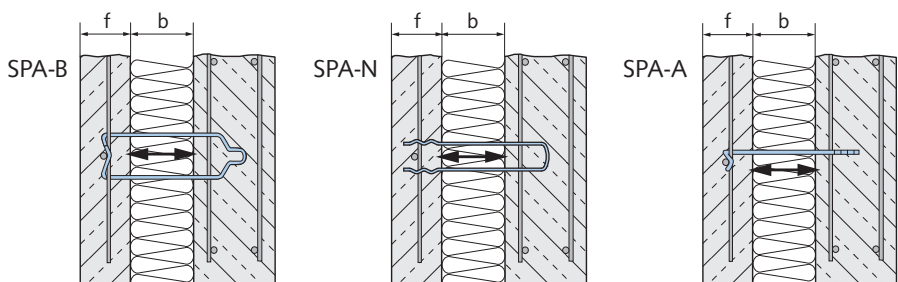
# HALFEN SANDWICH PANEL ANCHORS


## Restraint tie Calculation for $f \geq 70 \text{ mm}$

$e_{\max}$ [cm] SPA-N, SPA-B, SPA-A																				
$N_{Rd}$ [kN]	SPA-N-03 SPA-A-03 SPA-B-03				SPA-N-04 SPA-A-04 SPA-B-04				SPA-N-05 SPA-A-05 SPA-B-05						SPA-N-06		SPA-N-06			
	1.5	2.4	3.0	3.8	3.0	3.6	4.3	5.1	6.6	3.9	4.5	5.1	5.8	6.7	7.2	4.3	5.1	5.8	6.6	7.2
$b$ [cm]																				
3	162	155	146	135	144	141	138	135	129	139	138	137	136	135	132					
4	265	253	238	220	230	226	221	216	206	218	216	215	213	210	206					
5	392	375	353	327	336	329	322	315	301	313	311	309	306	303	297					
6	545	520	490	454	462	453	443	434	414	426	423	421	417	412	404					
7	722	690	650	602	608	596	583	570	545	557	553	549	544	539	528					
8	925	883	832	770	774	758	742	726	694	705	699	695	689	682	668					
9	1000	1000	998	960	960	940	920	900	860	870	863	858	850	842	825					
10	1000	1000	1000	1000	1000	1000	1000	1000	1000	1000	1000	1000	1000	1000	998					
11	1000	1000	1000	1000	1000	1000	1000	1000	1000	1000	1000	1000	1000	1000	1000					
12	1000	1000	1000	1000	1000	1000	1000	1000	1000	1000	1000	1000	1000	1000	1000					
13	1000	1000	1000	1000	1000	1000	1000	1000	1000	1000	1000	1000	1000	1000	1000					
14	1000	1000	1000	1000	1000	1000	1000	1000	1000	1000	1000	1000	1000	1000	1000					
15	1000	1000	1000	1000	1000	1000	1000	1000	1000	1000	1000	1000	1000	1000	1000	1000	1000	1000	1000	1000
16					1000	1000	1000	1000	1000	1000	1000	1000	1000	1000	1000	1000	1000	1000	1000	1000
17					1000	1000	1000	1000	1000	1000	1000	1000	1000	1000	1000	1000	1000	1000	1000	1000
18					1000	1000	1000	1000	1000	1000	1000	1000	1000	1000	1000	1000	1000	1000	1000	1000
19										1000	1000	1000	1000	1000	1000	1000	1000	1000	1000	1000
20										1000	1000	1000	1000	1000	1000	1000	1000	1000	1000	1000
21										1000	1000	1000	1000	1000	1000	1000	1000	1000	1000	1000
22										1000	1000	1000	1000	1000	1000	1000	1000	1000	1000	1000
23										1000	1000	1000	1000	1000	1000	1000	1000	1000	1000	1000
24										1000	1000	1000	1000	1000	1000	1000	1000	1000	1000	1000
25										1000	1000	1000	1000	1000	1000	1000	1000	1000	1000	1000
26										1000	1000	1000	1000	1000	1000	1000	1000	1000	1000	1000
27																1000	1000	1000	1000	1000
28																1000	1000	1000	1000	1000
29																1000	1000	1000	1000	1000
30																1000	1000	1000	1000	1000
31																1000	1000	1000	1000	1000
32																1000	1000	1000	1000	1000
33																1000	1000	1000	1000	1000
34																1000	1000	1000	1000	1000
35																1000	1000	1000	1000	1000
36																1000	1000	1000	1000	1000
37																1000	1000	1000	1000	1000
38																1000	1000	1000	1000	1000
39																1000	1000	1000	1000	1000
40																1000	1000	1000	1000	1000



Values in white text in dark cells are only allowed with tensile stress!  
 Load capacity  $N_{Rd}$ ,  $e_{\max}$  for  $6 \text{ cm} \leq f \leq 7 \text{ cm}$ : See general building authority approval.



 Please refer to the overview of available anchors on page 7.

# HALFEN SANDWICH PANEL ANCHORS

## Supporting Systems

### Rules for placement of sandwich panel anchors

#### 1. Supporting and torsion i.e. horizontal anchors

When placing supporting, torsion and horizontal anchors the following boundary conditions should be observed:

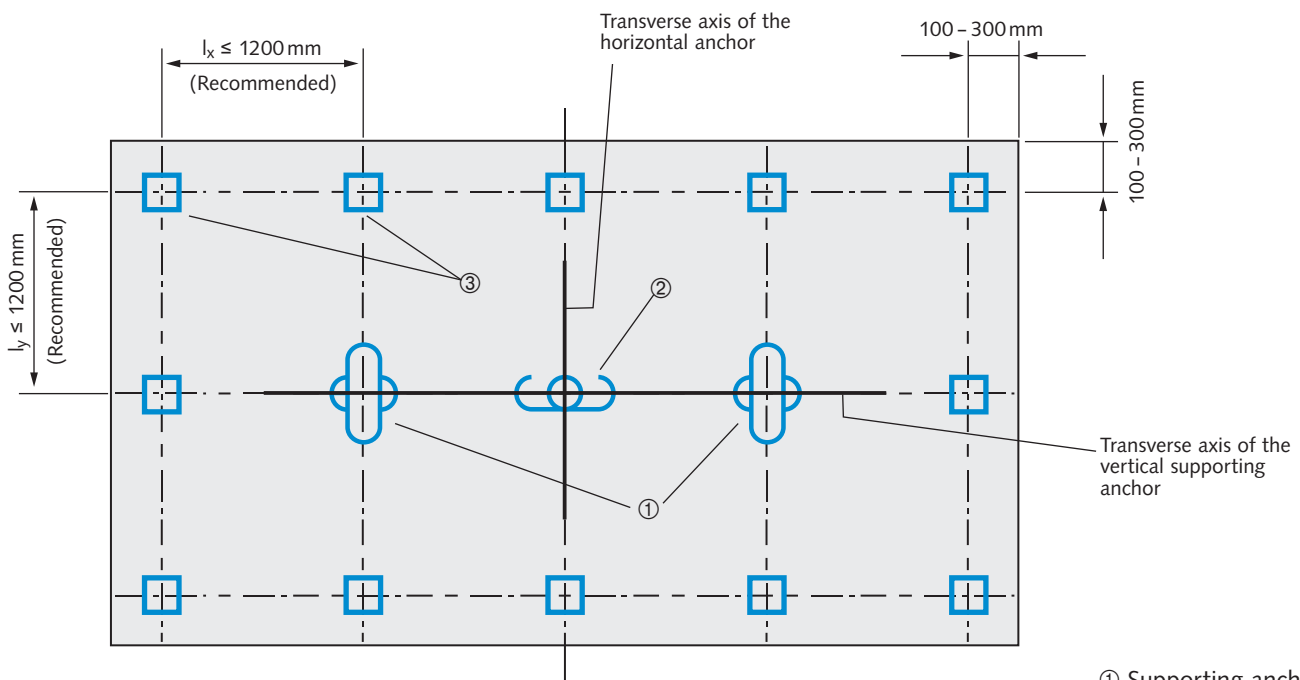
- the anchors must be situated on the transverse axis of the vertical supporting anchor
- at least two support anchors and one horizontal anchor must be planned for each slab, located on two axes perpendicular to each other (see page 19ff.)
- if possible place supporting anchors at grid nodes
- keep within the allowable distance of the anchor from the fulcrum
- keep within the allowable edge and axis distances

#### 2. Restraint ties

When placing restraint ties the following boundary conditions have to be observed:

- if possible place restraint ties at grid nodes
- keep  $e$  of the restraint tie within the allowable distance from the fulcrum
- observe the allowable edge and axis distances
- place two restraint ties at a distance of approximately 20 cm at heavily loaded grid nodes (for example with overhangs)

Icons for sandwich panel anchor types		
	FA	
	SPA-2	
	SPA-1	
	SPA-B	
	SPA-N	
	SPA-A	



- ① Supporting anchor
- ② Horizontal anchor
- ③ Restraint tie

Where possible the side ratio  $l_x/l_y$  should be between 0.75 and 1.33!

# HALFEN SANDWICH PANEL ANCHORS

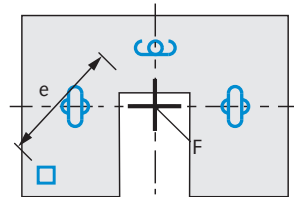
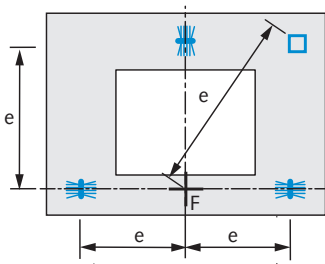
## Supporting Systems

### Fulcrum of the sandwich panels

To anchor the facing layer to the load-bearing layer as constraint free as possible, certain rules have to be applied. In principle, the anchoring system must be chosen so that only one single

point, a so-called fulcrum, is set in the facing layer from which the slab can expand freely in all directions. This reduces any restraint forces that may arise therefore minimizing cracks

in the facing layer. The allowable distances from the fulcrum  $e$  must be considered when placing sandwich panel anchors.



**i** F = fulcrum (see page 18 for explanation of symbols)

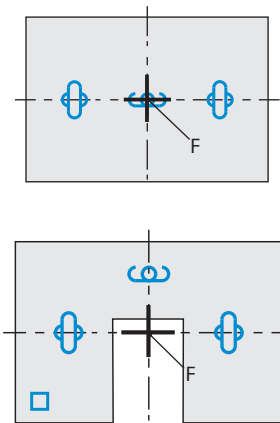
### Position of the Fulcrum

Panels with systems FA and SPA always contain at least 2 supporting anchors and 1 horizontal anchor which are

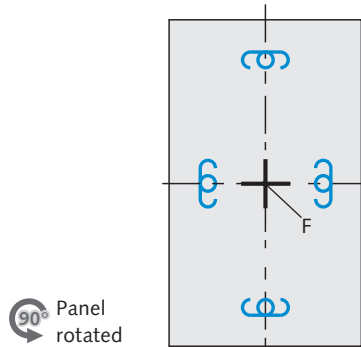
arranged on 2 axes arranged at 90° to one another.

The fulcrum is always at the intersection of the two anchor transverse axes.

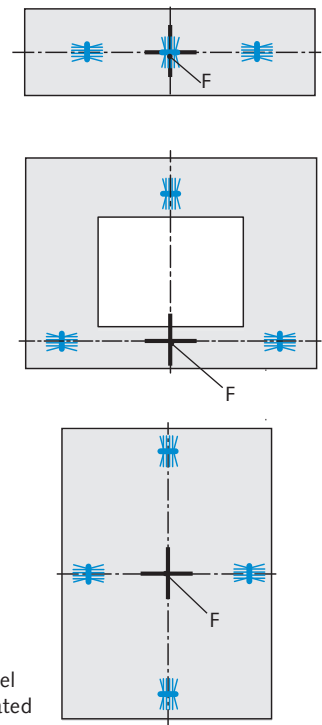
SPA



SPA



FA



**i** F = fulcrum (see page 18 for explanation of symbols)

**90°** Panel rotated

# HALFEN SANDWICH PANEL ANCHORS

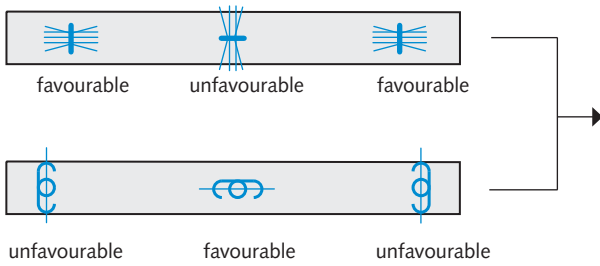
## Supporting Systems

### Mixed systems and special solutions

#### Panels with minimal widths

In panels with minimal widths, it is preferable to install the SP-FA as a supporting anchor and SP-SPA as a horizontal anchor.

This is because of the height of the anchors and the direction of the reinforcement.

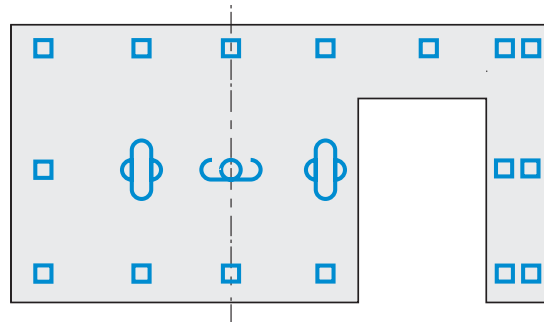
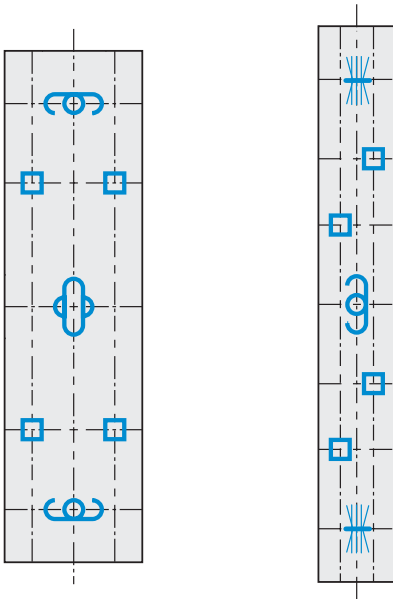


Solution:



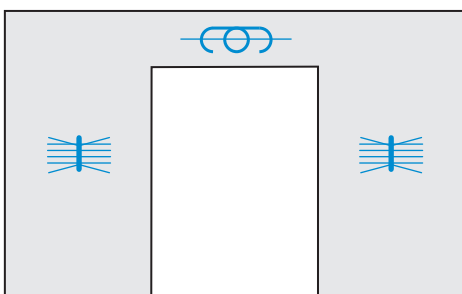
In panels with minimal widths the restraint ties should also be arranged in pairs or staggered even if the minimum axis or edge distances are compromised.

The same procedure applies for all minimal widths (for example minimal widths adjacent to door openings).

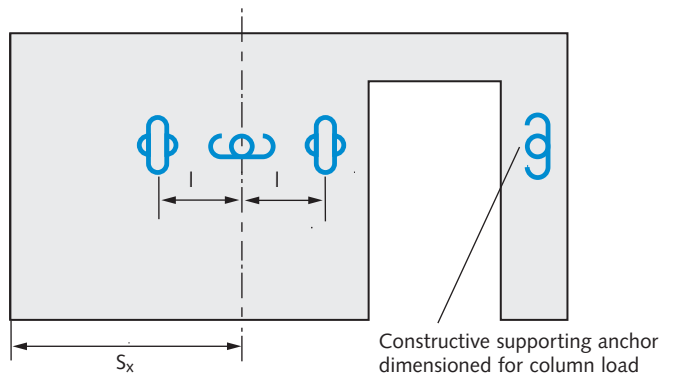


See page 18 for explanation of symbols

#### Panels with minimal lintel areas



#### Panels with posts adjacent to openings with minimal lintel



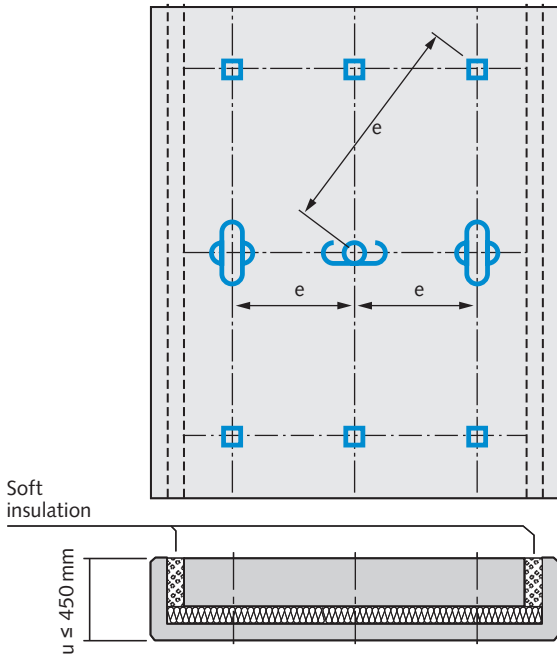
# HALFEN SANDWICH PANEL ANCHORS

## Supporting Systems

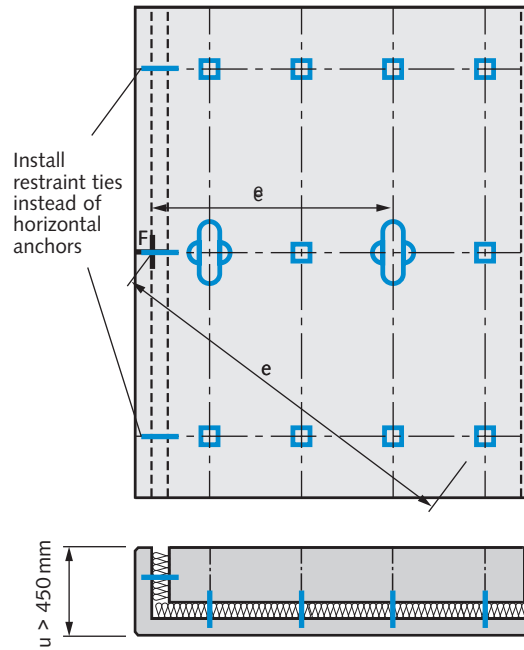
### Mixed systems and special solutions (continued)

#### Restraint tie at panel corners

With corner elements, where  $u \leq 450$  mm, care must be taken that no connecting elements are placed in the short leg (this applies to both supporting anchors and restraint ties).



If  $u > 450$  mm restraint ties must be placed in the legs. In this case horizontal anchors are not used and the distance  $e$  is measured from the leg (see figure below).



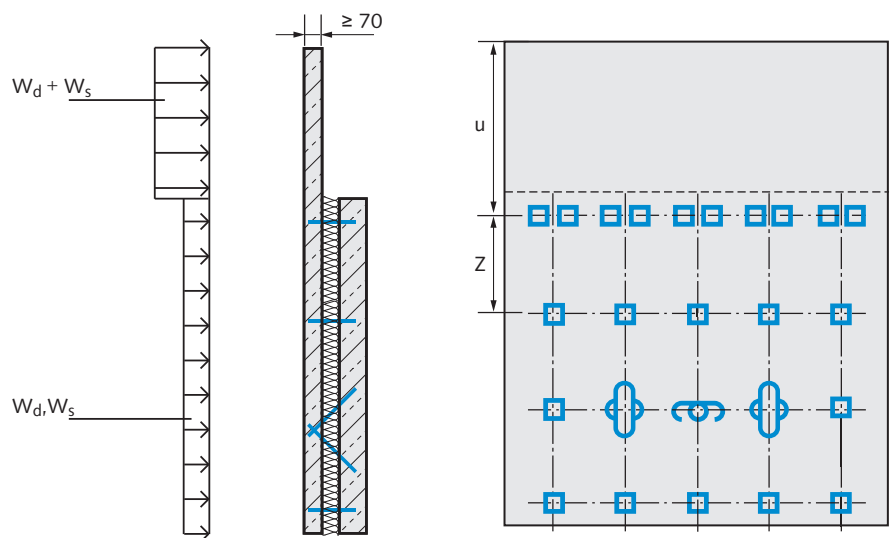
**Note:** Also possible with supporting system FA.

#### Facing layers with large overlap

Facing layers with large overhang  $u$  (approximately 300 to 900 mm) causes high stresses in the outermost row of restraint ties as a result of wind loads. Two restraint ties per grid point should be spaced at about 20 cm centres to carry these forces.

Wind loads cause facing layers with large overhangs to twist at the end supports (last row of restraint ties) and therefore to comparatively large movements at the edge of the facing layer.

As a countermeasure, we recommend selecting a lower "Z" value than the maximum admissible value for the first field next to the overlap.



**i** See page 18 for explanation of symbols

# HALFEN SANDWICH PANEL ANCHORS

## Supporting Systems

### Illustration and explanation of the support systems

Here, the different load-bearing systems are described and their special features explained using examples.

### FA Supporting system

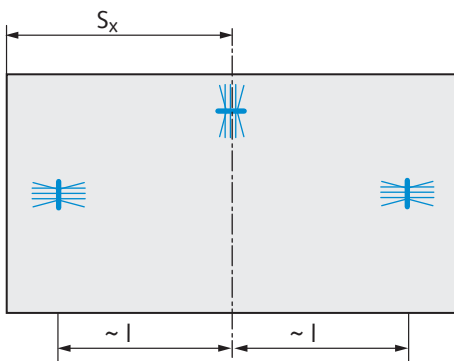
2 SP-FA as support anchors (standard arrangement is symmetrically to the centre of gravity)

1 SP-FA as horizontal anchor

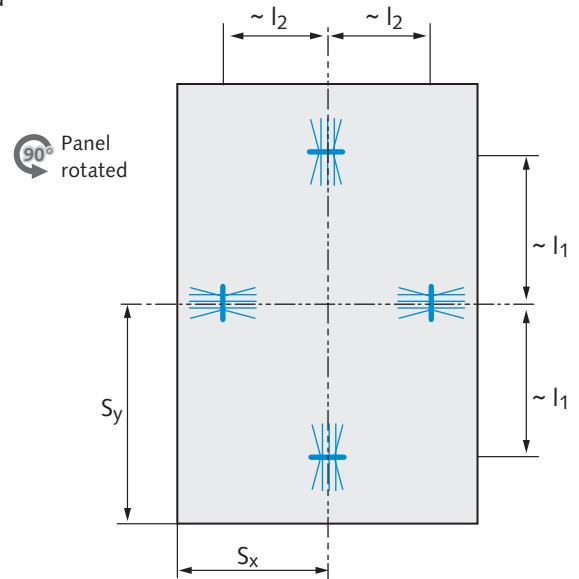
As an alternative you can also use an SP-SPA as a horizontal anchor.

**Note:** For rotated panels the horizontal anchors have to be dimensioned as supporting anchors.

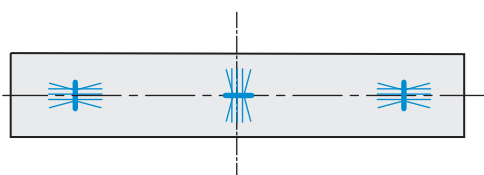
#### Rectangular panel



$S_x/S_y = \text{centre of gravity}$



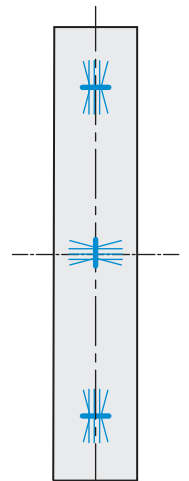
#### Base panel



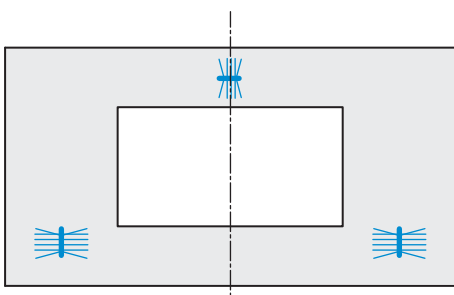
#### Minimal width, low panel

##### Special case:

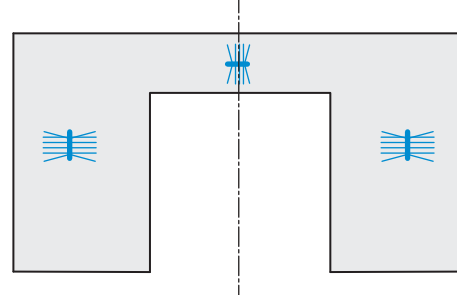
1. Support anchor in the axis of centre of gravity
2. Horizontal / Torsion anchors




#### Panel with window opening



#### Panel with wide door opening



 See page 18 for explanation of symbols

# HALFEN SANDWICH PANEL ANCHORS

## Supporting Systems

### SPA Supporting system

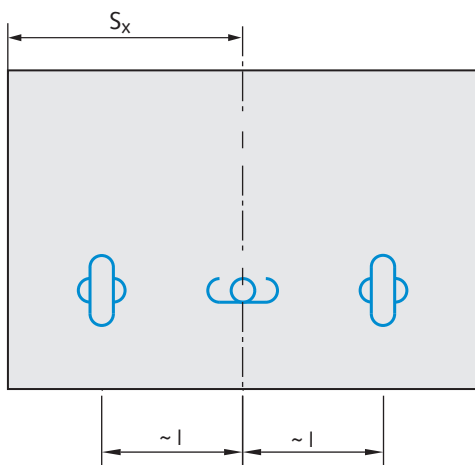
2 SP-SPA as support anchors, or 2 supporting anchor groups (standard arrangement is symmetrically to the axis of centre of gravity)

1 SP-SPA as horizontal anchor.

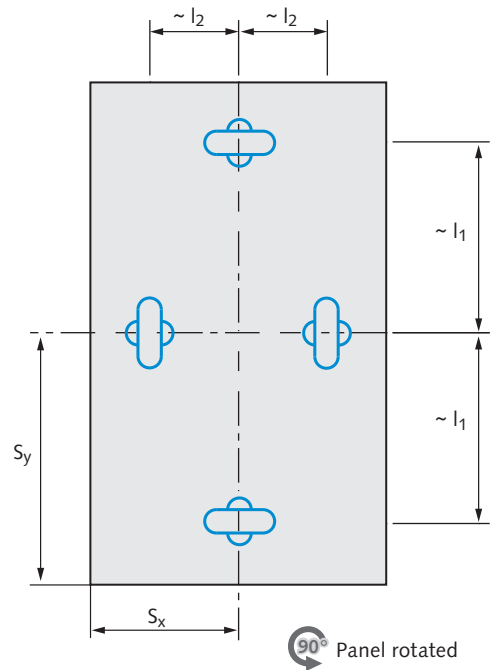
An alternative is to use 1 SP-FA as a horizontal anchor.

**Note:** For rotated panels the horizontal anchors have to be dimensioned as supporting anchors.

#### Rectangular panel

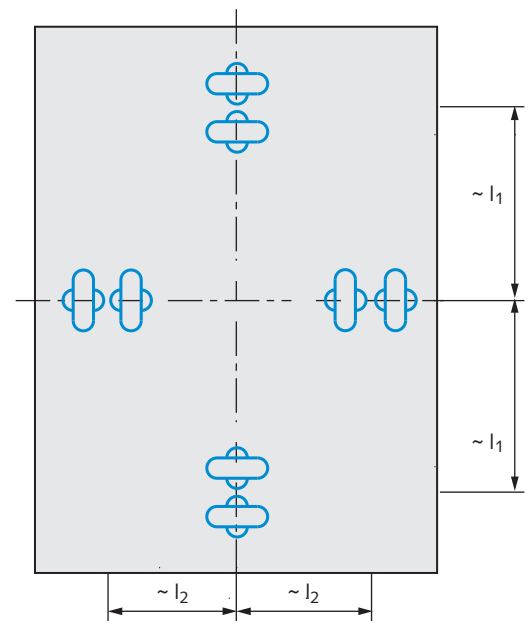
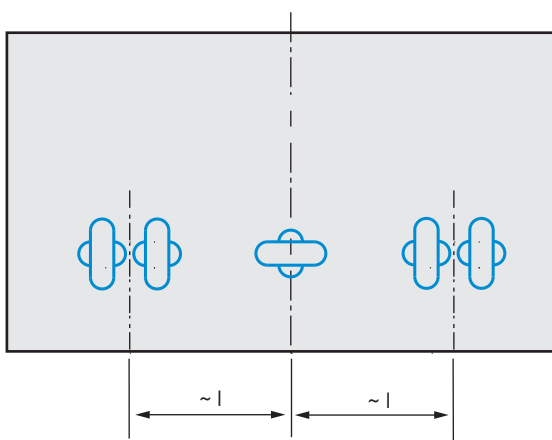


$S_x/S_y = \text{centre of gravity}$



90° Panel rotated

#### Large format panel: 2 support anchor groups



90° Panel rotated

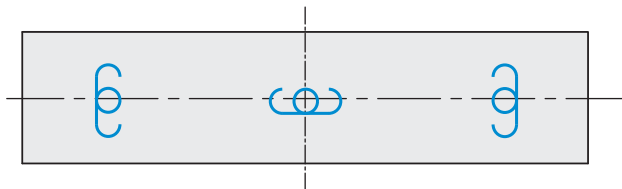
**i** See page 18 for explanation of symbols

# HALFEN SANDWICH PANEL ANCHORS

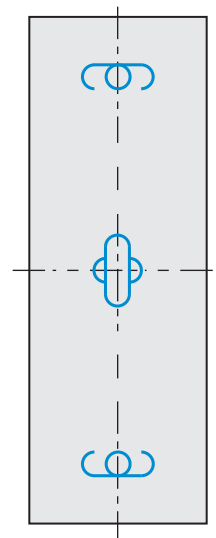
## Supporting Systems

### SPA Supporting system (continued)

Base panel



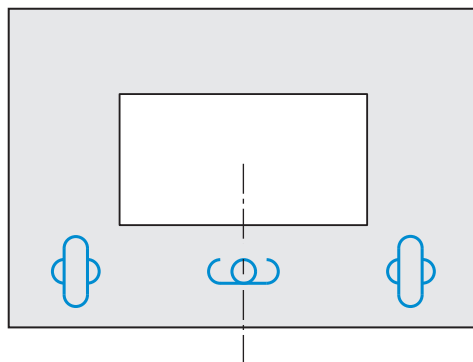
Minimal width, high panel



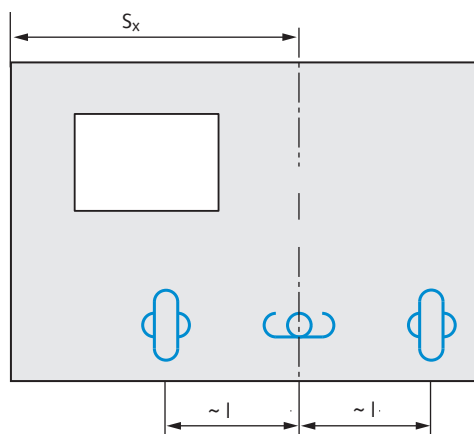
**Special case:**

1. Support anchor in the axis of centre of gravity
2. Horizontal / Torsion anchors

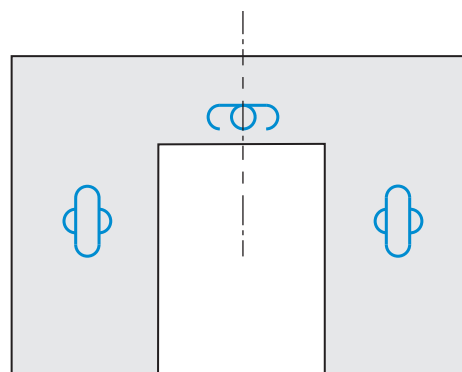
Panel with window opening



Asymmetric panel



Panel with wide door opening

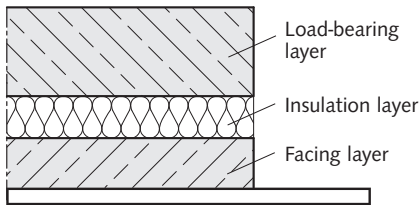


See page 18 for explanation of symbols

# HALFEN SANDWICH PANEL ANCHORS

## Production Processes

### SPA Production method: negative process (facing layer down, p.26)



#### Production of the facing layer

- the reinforcement is placed in the prepared mould and supporting anchors and stirrup ties SP-SPA-B or clip-on pins SP-SPA-A are installed to specification
- concrete is poured evenly in the formwork
- compact the concrete (with external vibrators)

#### Placing the heat insulation layer

Cutouts have to be carefully made to accommodate the anchors when high quality pressure resistant insulation material is used. Cavities in the insulation must be prevented as these will fill with concrete and cause thermal bridges or constraint points.

#### Recommended

Stagger the installation of heat insulation in 2 layers. Single layer insulation

should have rabbet joints or the joints should be sealed with suitable adhesive tape. This will prevent concrete seeping into the joints. When using high quality insulation materials (low thermal conductivity capacity and low water absorption) the thickness of the heat insulation layer can be reduced. The resulting increase in anchor load-bearing force permits the use of supporting anchors with a lower load rating. Insulation materials with low water absorption capacity favourably effect concrete shrinkage.

#### Placing separating foil between layers

Separating foil prevents concrete slurry from entering the heat insulation butt joints. Any adhesion between the heat insulation layer and the load-bearing layer concrete is also avoided. This is important when using rough, expanded polystyrene insulation material. A foil layer can be placed between the facing layer and the insulation layer to ensure optimal flexibility of the facing layer. No foil is necessary when using high quality insulation material with a smooth surface.

#### Production of the load-bearing layer

- install the load-bearing layer reinforcement
- a traversable insulation material will assist installation
- the concrete is poured into the mould evenly and compacted

#### Notes when using connector pins

##### SP-SPA-N

Connecting pins SP-SPA-N are installed at reinforcement nodes in the load-bearing layer reinforcement. The pins are pushed through the heat insulation to the required depth into the still soft concrete of the facing layer at the bottom of the mould. After the pins have been correctly placed it is recommended that subsequently the concrete of the facing layer be compacted again.



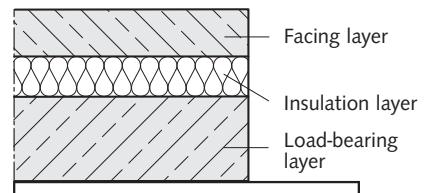
#### Important:

When using a spud-vibrator, avoid contact between the vibrator and the anchors. Contact will cause separation of the facing concrete, resulting in colour variations, making the anchor contours visible.

### SPA Production method: positive process (facing layer up, p. 27)

The production of a sandwich panel using the face-up production method is in reverse order to the face-down production method. First the load-bearing layer is poured and then the clip-on

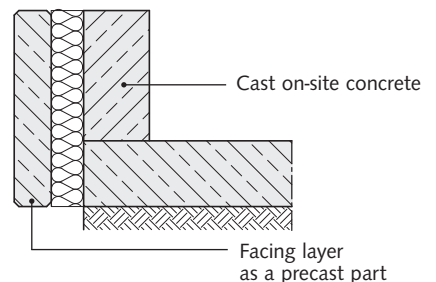
pins and any stirrup ties are installed. When using anchors SP-SPA, the instructions for sandwich panels in face-up production should be noted (see page 27).



### Sandwich panel as semi-precaster part

In this case, a factory made "facing layer" is produced with anchors and insulation installed and used as lost formwork.

The "load-bearing layer" is then cast on-site.



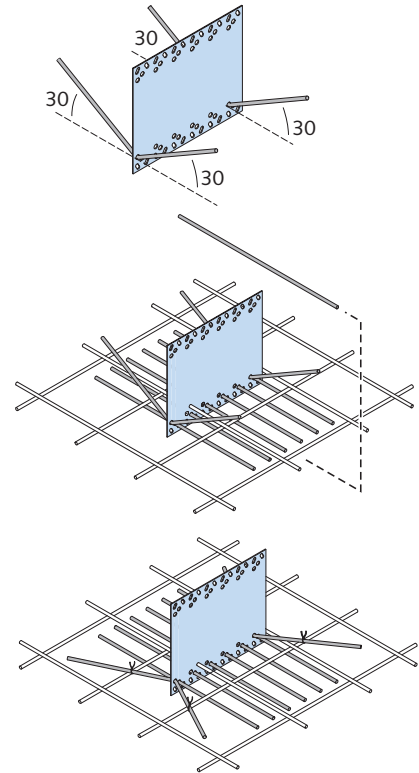
# HALFEN SANDWICH PANEL ANCHORS

## Assembly and Installation

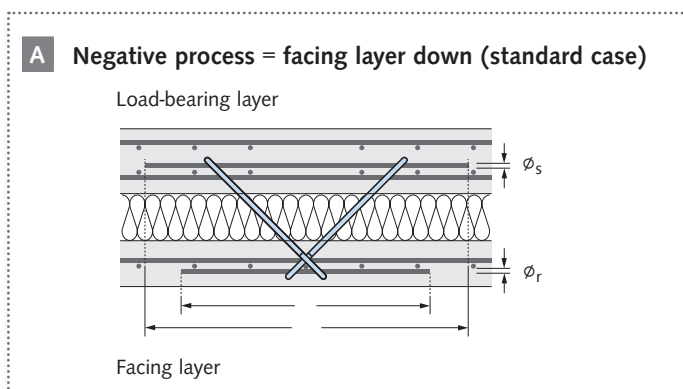
### Installing in the (bottom) concrete layer

#### Installing FA Flat anchors

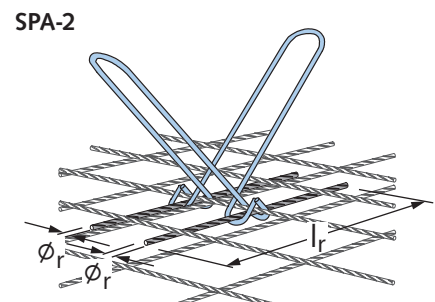
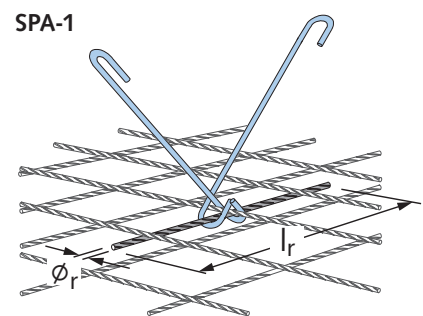
- ▶ Insert two anchoring bars bent 30° at the middle (L = 400 mm) in the outside holes of the topmost row of the round holes in the flat anchor.
- ▶ Position the flat anchor on the reinforcing mesh at the predefined location.
- ▶ Insert the anchoring bars acc. to table "Anchoring in concrete" (see page 13) from under the reinforcing mesh, through the bottom row of round holes of the flat anchor.
- ▶ Twist the bent anchoring bars to the horizontal and wire to the reinforcing mesh. Replace cut individual bars with additional reinforcement with the same cross-section.



#### Installing SPA-1 and SPA-2 support anchors

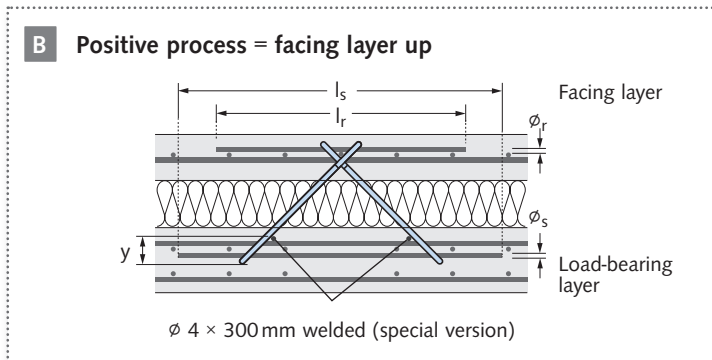


- ▶ Place the support anchors on the reinforcing mesh and secure under the mesh with one or two reinforcing bars ( $\phi_r$  depends on anchor type, page 15).



# HALFEN SANDWICH PANEL ANCHORS

## Assembly and Installation



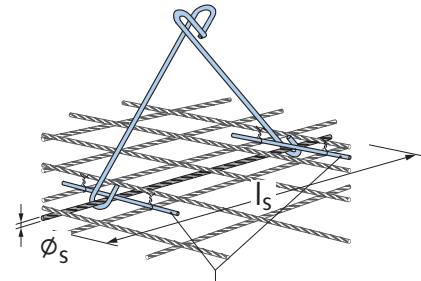
- ▶ Supporting anchors are fitted with factory welded rebars  $\phi 4 \times 300\text{ mm}$  for producing sandwich panels in the facing layer up method  
→ *customized products on request*

- ▶ The supporting anchors are installed in the top reinforcing mesh of the load-bearing layer. The welded bars are wired to the mesh and secured with the secondary rebars ( $\phi$  see table on page 15).



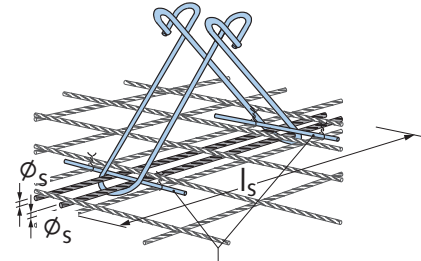
**Important:** When ordering, state dimension  $y$  (position of the welded-on bars  $\phi 4 \times 300\text{ mm}$ ).

### SPA-1



$\phi 4 \times 300\text{ mm}$  factory welded to the SPA-1 anchor

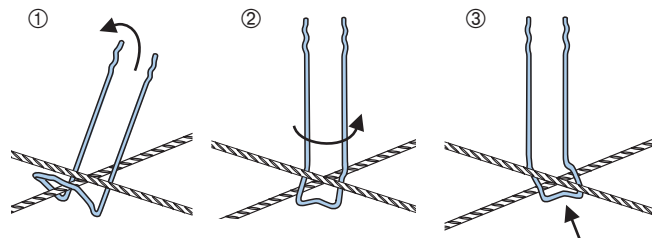
### SPA-2



$\phi 4 \times 300\text{ mm}$  factory welded to the SPA-1 anchor

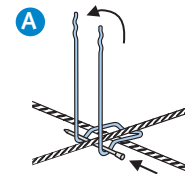
### SPA-A Clip-on pin

- ▶ Pass the clip-on pin under the top reinforcing bar, turn and twist to an upright position ①.
- ▶ Twist the clip-on pin to the left over the bottom reinforcing bar ②.
- ▶ Clip the clip-on pin firmly to the mesh node ③.



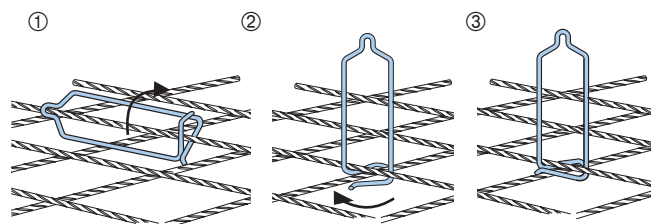
### Alternative: A

- ▶ Pass the clip-on pin in the crossing mesh under the top and over the bottom reinforcing bar. Press the legs slightly to the left and insert a nail, as shown, under the top reinforcing bar.



### SPA-B Stirrup tie

- ▶ Hook under the top reinforcing bar as shown ①.
- ▶ Turn to an upright position ②.
- ▶ Turn clockwise whilst pressing the legs together and clip onto the bottom reinforcing bar ③.

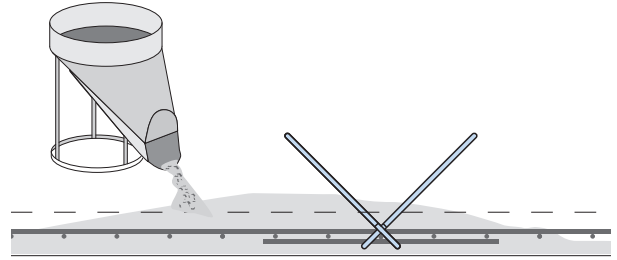


# HALFEN SANDWICH PANEL ANCHORS

## Assembly and Installation

### Bottom layer; pour and compact the concrete

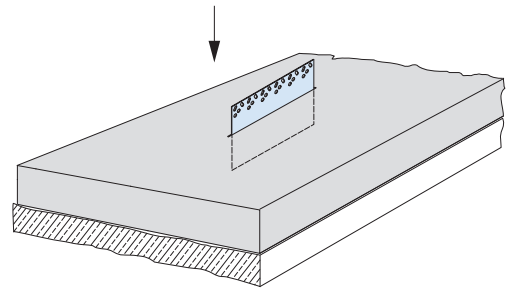
- ▶ Pour the concrete
- ▶ Compact the concrete



### Placing the heat insulation layer

#### FA Flat anchors

- ▶ The insulation can be simply pressed over the flat anchors. Alternatively the insulation joint can be aligned exactly with the position of the flat anchor.

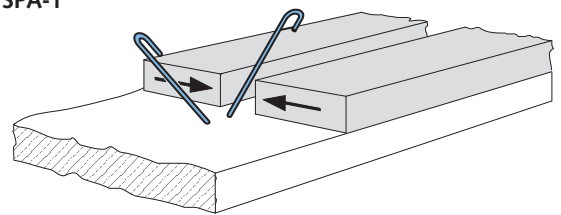


#### SPA-1 and SPA-2 Supporting anchor

##### SPA-1 Supporting anchor

- ▶ Cut the insulation material along the longitudinal axis of the anchor and push the segments back together.

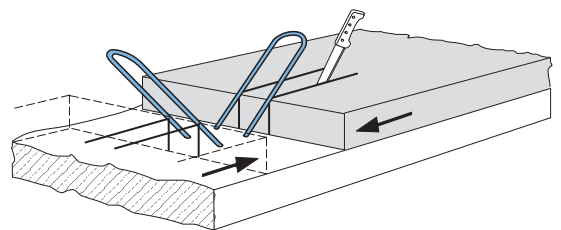
##### SPA-1



##### SPA-2 Supporting anchor

- ▶ The insulation is cut so that the cut-end is midway between the sandwich supporting anchor.
- ▶ Two cuts are then made in the insulation to accommodate the anchor bars (space between two bars).
- ▶ Both halves are then pushed over the bars of the anchor from each side to close the gap.

##### SPA-2

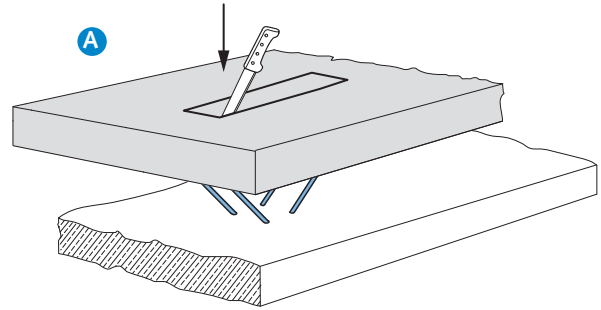


## HALFEN SANDWICH PANEL ANCHORS

### Assembly and Installation

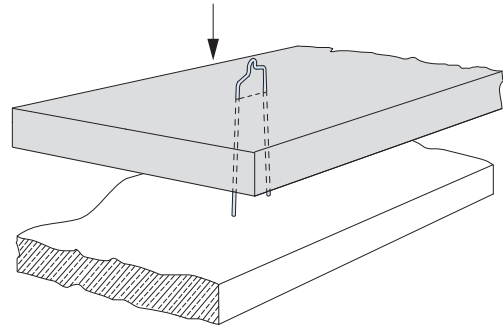
#### Alternative: **A**

- ▶ A rectangular hole, the size of the anchor projection is cut out of the insulation board.
- ▶ After the insulation board has been placed over the anchor, use the smaller, previously cut out bit of insulation to close the hole.



#### Clip-on SPA-A Pins, SPA-B Stirrup ties

- ▶ Styropor® panels can be easily pressed over the stirrups.
- ▶ When using extruded hard foam, the insulation layer should be cut out at the anchor positions to avoid bending the stirrups.

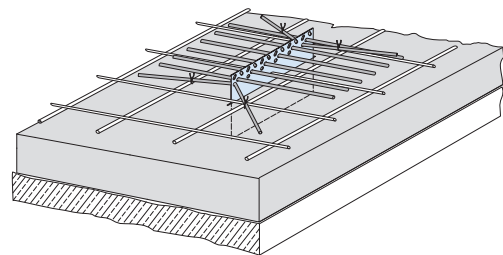


Example: SPA-B

### Reinforcing the upper concrete (bottom layer) and placing the anchoring rods

#### FA Flat anchor

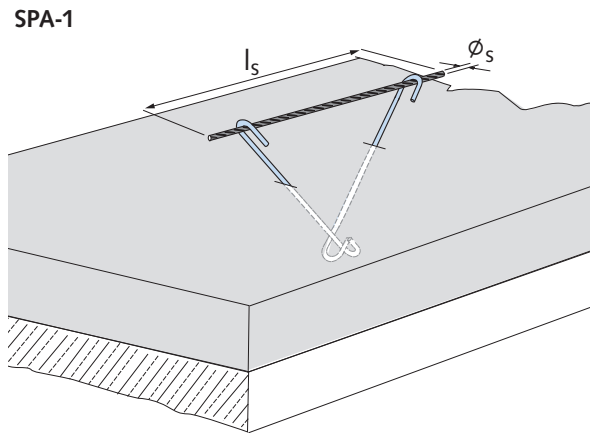
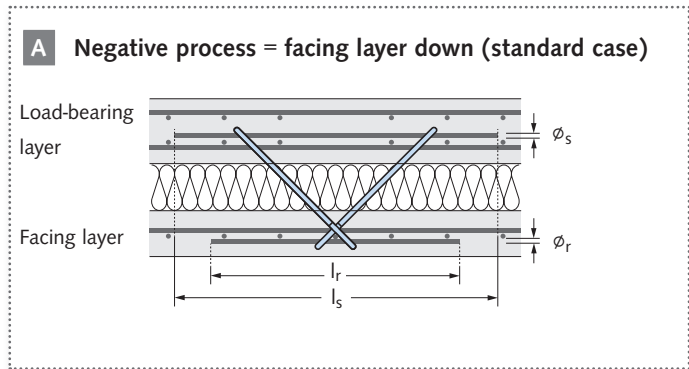
- ▶ Similar to installation in the bottom concrete layer, straight and angled anchoring bars are inserted through the round holes in the flat anchors in accordance with the table "Anchoring in concrete" (→ page 13) and secured in position (wire-tie to the slab reinforcement).
- ▶ Replace cut individual bars with additional reinforcement with the same cross-section.



# HALFEN SANDWICH PANEL ANCHORS

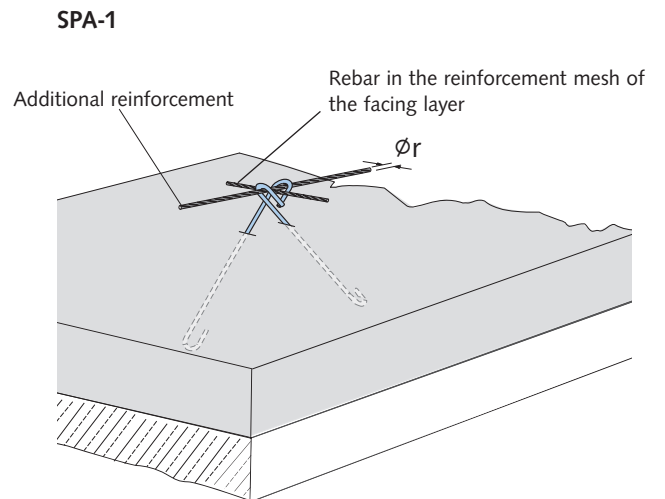
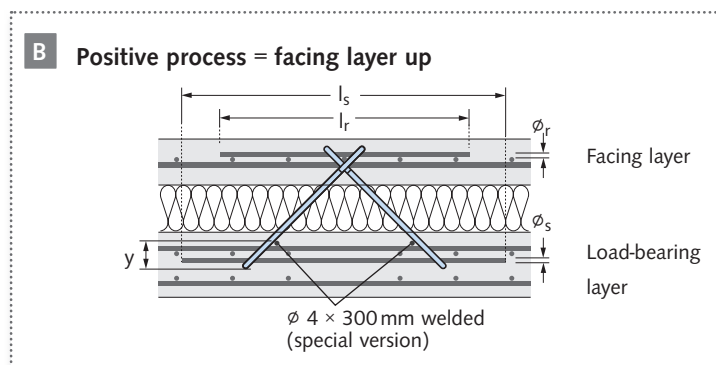
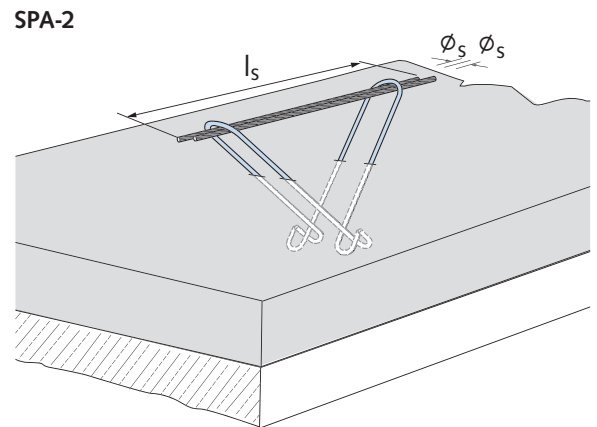
## Assembly and Installation

### Supporting anchor SPA-1 and SPA-2



### Placing the bottom reinforcement layer for the supporting layer.

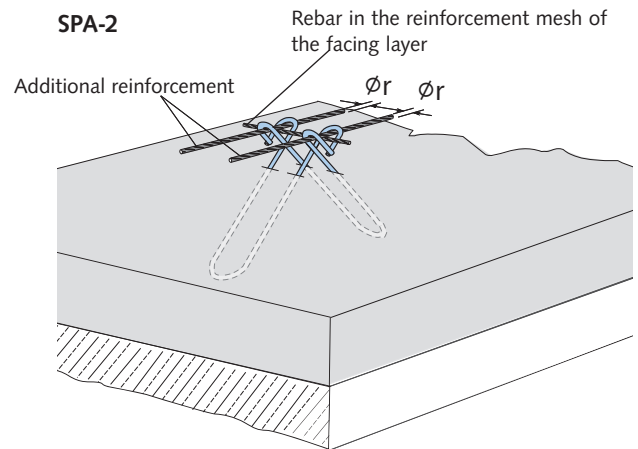
- Push one or two reinforcement bars through the SPA loop ends and secure.  
 $\phi_s$ ,  $l_s$ , see table "Additional reinforcement" → page 15.



## HALFEN SANDWICH PANEL ANCHORS

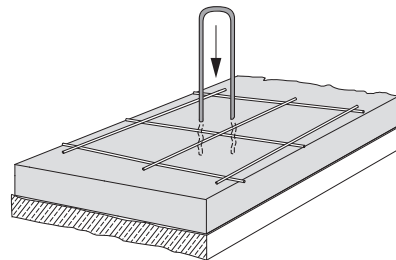
### Assembly and Installation

- ▶ Place the lower mesh reinforcement of the facing layer with a transverse rebar in the bend of the anchor and secure with one or two reinforcement bars.  
 $\varnothing_r$ ,  $l_r$ , see table "Additional reinforcement" → page 15.

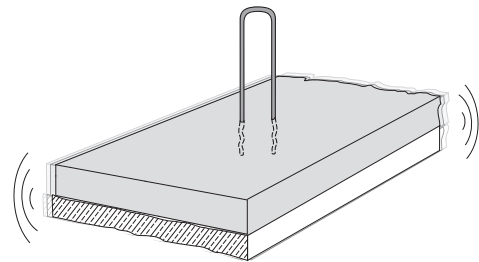


### SPA-N Connector pins

- ▶ Press the SPA-N through the thermal insulation (max. 60 minutes after initial mix of the concrete) until it hits the formwork, pull up to the required embedment depth.



- ▶ Post-compact the bottom layer

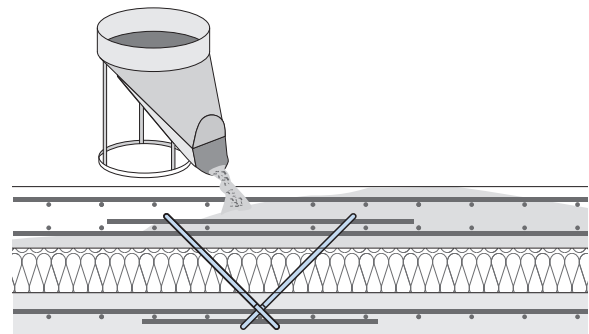


### Reinforcing the upper concrete (top layer) pouring and compacting the upper concrete

- ▶ Pour the concrete
- ▶ Compact the concrete



When lifting the precast sandwich panels from the formwork, adhesion should be kept as low as possible.  
In particular, do not lift parallel to the tilting table!



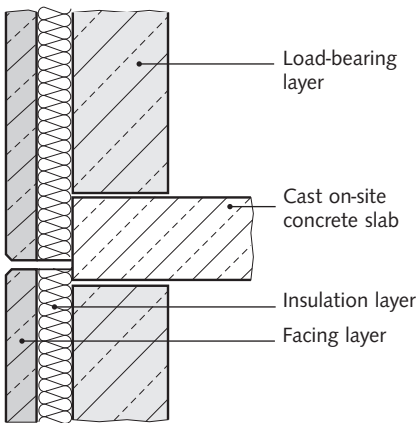
# HALFEN SANDWICH PANEL ANCHORS

## Basics

### Structure of a sandwich panel

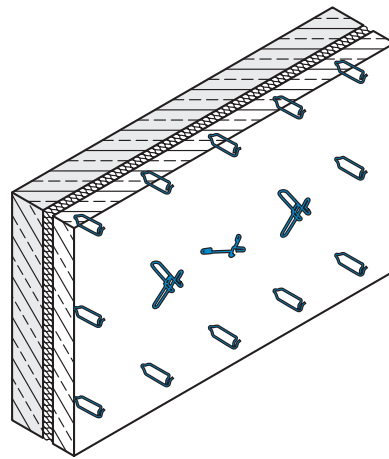
Sandwich panels are large multilayer, reinforced concrete façade elements. They consist of a facing layer, an insulation layer and a load-bearing layer (3-layer assembly).

### Typical structure of a 3-layer panel



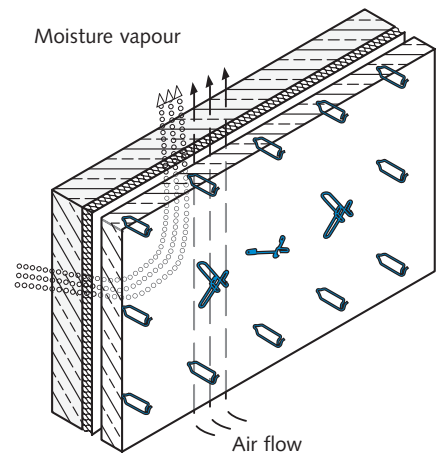
A ventilation gap can also be included between the insulation layer and the facing layer (4-layer assembly).

### Sandwich panel with no ventilation gap 3-layer panel



Sandwich panel anchors (support anchors, torsion anchors or horizontal anchors and restraint ties) connect the facing layer to the load-bearing layer.

### Sandwich panel with ventilation gap 4-layer panel



### Requirements on the anchorage system

The function of the HALFEN Sandwich panel anchor system is to connect the load-bearing and facing layers of sandwich panels.

Primarily, the stresses acting on the facing layer must be transferred to the load-bearing layer while avoiding restricting the expansion and contraction of the facing layer.

The anchors are exposed to corrosive environments and must therefore be made of stainless steel (A4, L4).

**The following influences must be taken into account when calculating anchors:**

- dead load of the facing layer
- wind load
- temperature fluctuations within the facing layer (warping)
- changes to the average temperature of the facing layer (expansion)
- adhesion to the mould
- transport and assembly conditions
- admissible distances  $e$  of the load-bearing and the restraint ties to the fulcrum  $F$

HALFEN SPA and FA Sandwich panel anchor systems are building authority approved.



The approvals can be downloaded free of charge from [www.halfen.com](http://www.halfen.com).

### Material: Abbreviations and description

A4/L4 Steel, corrosion resistance class (CRC) III according to DIN EN 1993-1-4: 2015-10, table A.3

# HALFEN SANDWICH PANEL ANCHORS

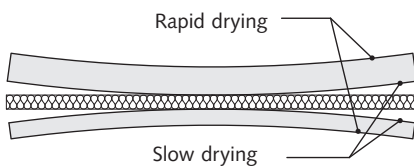
## Deformation of Sandwich Panels

### Warping caused by shrinkage

Sandwich panel elements often display signs of warping. Particularly large panels with a length of more than 6 m can be affected by deformation.

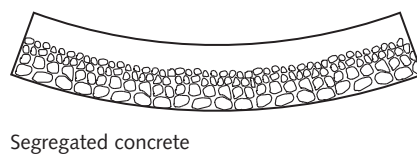
Shrinkage is mainly dependant on the drying of the concrete. This drying proceeds from the exterior inwards. This causes the inner and outer layers of the sandwich element to warp in different directions. The quicker the surface dries and the slower the slab-core dries the more exaggerated the warping. Deformations can be expected in sandwich panels exposed to direct sunlight or wind in the first few days after production. Use appropriate measures to prevent the concrete from drying too rapidly. Insulation with a low water absorption capacity should be used.

Insulation materials with a high water absorption capacity transfer moisture to the concrete during the curing process. This increases the differences in drying in the external and internal slabs in sandwich elements.



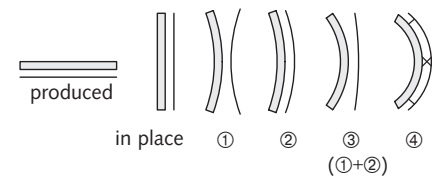
Concrete technology (additives etc.) can be used to reduce shrinkage and keep the resulting detrimental effects to a minimum. A low water/cement ratio should be used. The maximum aggregate size is chosen according to the reinforcement and dimensions of the sandwich panel. Keep cement paste and fine sand to a minimum.

If the ratio of cement paste and fine sand is too high this will result in more shrinkage. The use of concrete additives, especially wetting agents, air-entraining agents, damp-proofing and permeability reducing agents and retarders can have a very detrimental effect on concrete shrinkage. Separation of aggregate is possible when compacting concrete. Large and heavy components in the concrete mix sink to the bottom during vibration. The smaller, lighter and wetter components rise to the top. This results in a higher shrinkage value at the top than at the bottom ('top' and 'bottom' refer to the position of the panel during concreting).

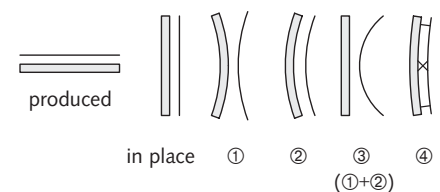


The type and intensity of the warping of a sandwich panel also depends on the production method, positive or negative method (see page 25).

Sandwich elements produced in the **face-down method** have a warping tendency in the load-bearing layer caused by time dependent shrinkage (① drying out) this is increased by mix dependent differential shrinkage (② mix separation). In the facing layer the warping tendencies from ① and ② counteract each other (③) and the layer remains virtually flat. The stiffer load-bearing layer imposes its warping on the facing layer via the connecting anchors (④).



In sandwich panels produced in the **face-up method**, the warping tendencies ① - ② are counteractive and the load-bearing layer remains virtually flat (③). The warping tendencies from the facing layer ① - ② accumulate. Warping in the facing layer is prevented by sandwich panel anchors (④).



Preventing warping by using sandwich panel anchors cause forces which can lead to cracks in the facing layer. Care should be taken to prevent this warping. Apart from the described production measures, correct planning and tried and tested construction methods should be used when designing pre-fabricated elements.

# HALFEN SANDWICH PANEL ANCHORS

## Deformation of Sandwich Panels

### Warping caused by temperature differences

With a rapid increase in temperature the outer surface of the facing layer is subjected to greater expansion than the non-exposed surface nearest to the insulation layer. This can be caused by direct sunlight in winter (fig. 1). In summer the facing layer can contract when thunderstorms cause sudden cooling of the surface (fig. 2). The resulting warping of the facing layer is largely restrained by the more rigid load-bearing layer via the anchors.

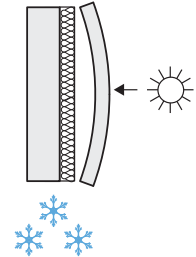
**The magnitude of the resulting deformation forces depends on the following factors:**

- temperature fluctuation in the facing layer
- thickness of the facing layer
- concrete quality; facing layer (Modulus of Elasticity)
- geometry of the facing layer
- type and arrangement (grid) of the anchors

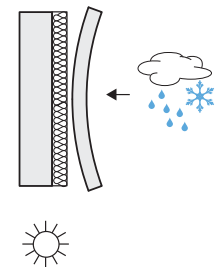
**Favourable influences are:**

- light coloured facing layers
- thin facing layer thicknesses (f = 70–80 mm)
- evenly distributed grid of anchors (ratio ~ 1:1)

**Fig. 1**  
sudden heat increase in winter



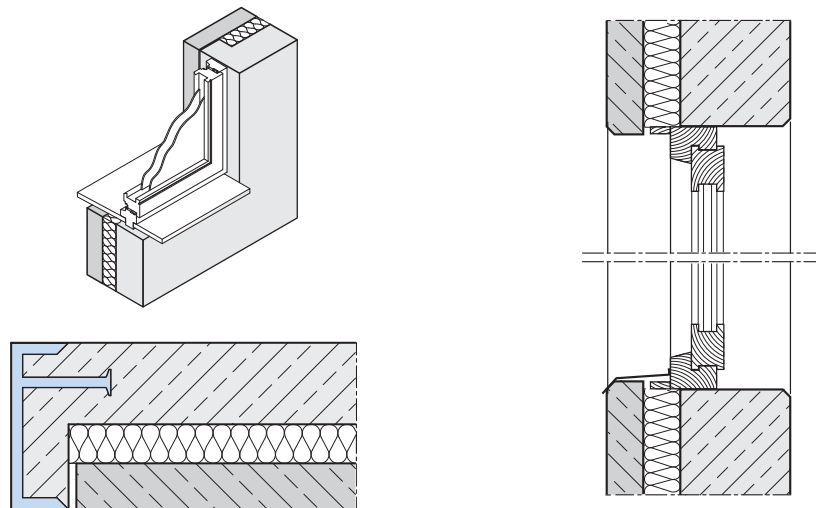
**Fig. 2**  
sudden cooling in summer



### Window and door fixings

To avoid cracks, the connection of the facing layer to the load-bearing layer must be flexible. Additional fixing points such as windows or doors connected to the facing layer can lead to cracks as movement is restricted.

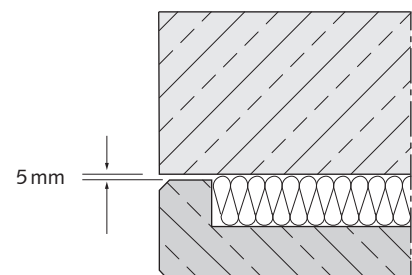
Window and door elements should only be fixed to one layer (standard is to the load-bearing layer).



### Expansion and contraction

Concrete connections between load-bearing and facing layers have to be avoided.

To allow movement (expansion and contractions), panel edges, reveals at window and door frames must be separated from the load-bearing layer by an expansion joint (min. 5 mm).



# HALFEN SANDWICH PANEL ANCHORS

## Geometric Boundary Conditions

### Forming the facing layer

According to DIN EN 1992-1-1/NA (section 10.9.9) the minimum thickness for a facing layer is 7 cm. A reinforcement mesh of  $a_s = 1.3 \text{ cm}^2/\text{m}$  must be specified for SPA and

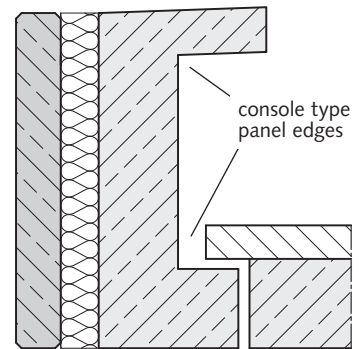
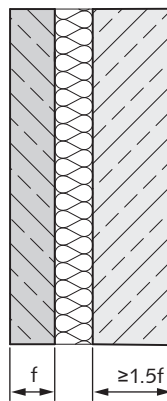
$a_s = 1.88 \text{ cm}^2/\text{m}$  for FA. Refer to the appropriate approval for mandatory additional anchors reinforcement in the facing layer (see also → pages 13–15).

Thick concrete layers where  $f$  resp.  $c \geq 10 \text{ cm}$  should have a 2-layer reinforcement.

### Forming the load-bearing layer

To effectively counter the deformations resulting from the facing layer we recommend that the load-bearing layer be at least 50% thicker than the facing layer.

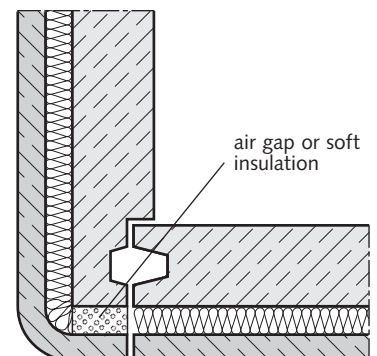
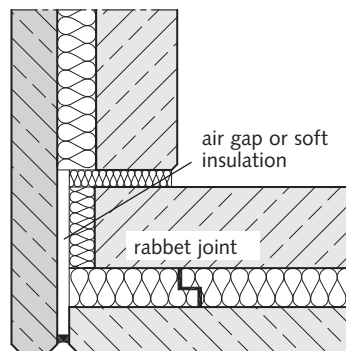
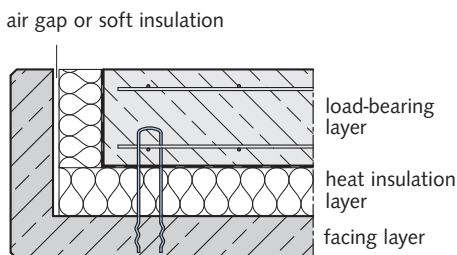
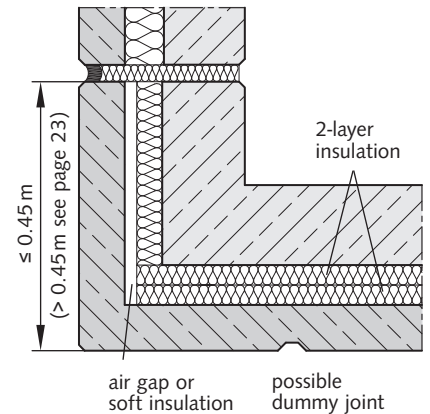
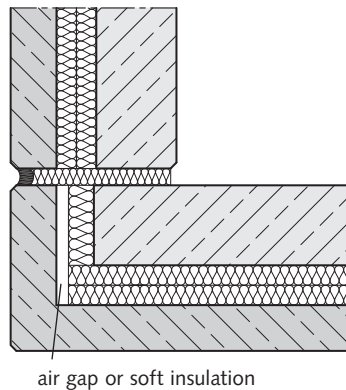
Rigidity can be further increased for special requirements by designing windows sills and panels edges as consoles.



### Corner construction

The following points should be noted if the facing layer is continued round a corner at building edges or at a window or door opening:

- An air gap must be left between the facing layer and the heat insulation layer in the shorter leg. Alternatively, the insulation can be soft fibre insulation (e.g. mineral wool)
- No restraints are placed in the short leg



# HALFEN SANDWICH PANEL ANCHORS

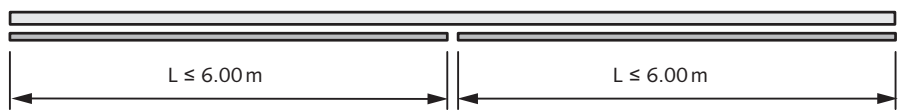
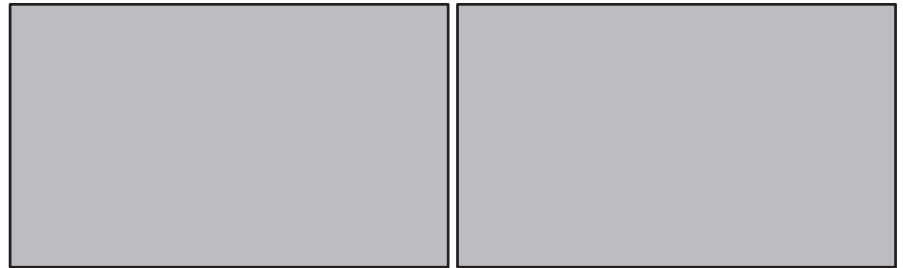
## Geometric Boundary Conditions

### Panel lengths

To keep crack widths small, technical publications recommend the following maximum dimensions for weather exposed slabs in sandwich elements. For structured weather slabs,  $L_{max}$  should be  $< 8.0$  resp.  $A < 15 \text{ m}^2$ . With smooth slabs the maximum surface area should be  $15 \text{ m}^2$  but the length should be reduced to 5 to 6 m.

If longer elements cannot be avoided it is recommended that the facing layer be divided into smaller elements. However, the supporting layer can be produced in a single piece.

If for architectural reasons longer panels cannot be avoided, this recommendation can be ignored if certain measures are taken ①. These measures should restrict shrinkage and changes in length caused by temperature fluctuation and keep the resulting constraining effect to a minimum. With a standard insulation layer

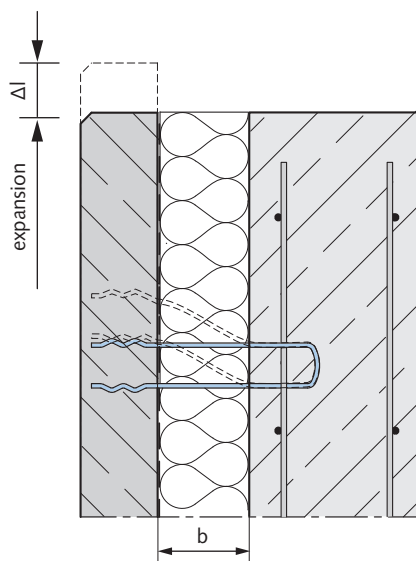


#### ① Favourable influences are as follows:

- low water/cement ratio
- correct storage and post-treatment of precast parts
- use of light coloured facing layers
- installation of insulation layer in two layers with rabbet joints
- placing a separation layer (foil) between the facing layer and the insulation layer
- adequate thickness of the insulation layer
- strengthening of the load-bearing layer
- design of sufficiently wide expansion joints

thickness ( $b > 80 \text{ mm}$ ) the possible facing layer dimensions are not normally limited by the anchor spacing  $e$  (see Building Authority Approval).

In this case the decisive factors for the facing layers are normally the recommendations stated above for external concrete slabs dimensions and the required joint design (joint width and the material used).



#### Large insulation layer thickness $b$

- Less elongation of the anchor with length variations of the facing layer
- Larger spacing  $e$  possible for the anchor distance from the fulcrum  $F$

Observe DIN 18540 (panels with permanent expansion joints); Joints must be designed to allow a constraint-free expansion of the facing layer.

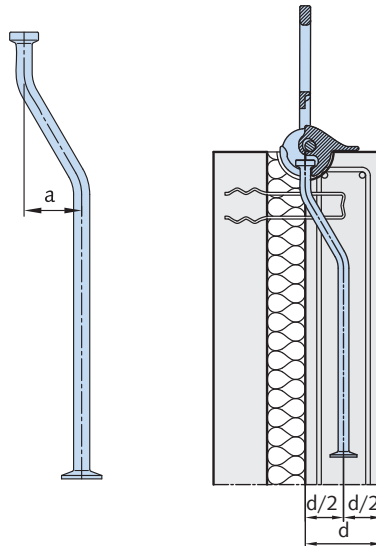
# HALFEN SANDWICH PANEL ANCHORS

## Further Products for Sandwich Panels

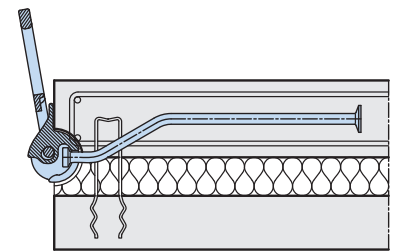
HALFEN supplies two special lifting anchor systems for transporting sandwich panels.

### Offset spherical head lifting anchor

The offset spherical head lifting anchor differs from the normal spherical head lifting anchor only by its cranked shape. This special shape permits the use of this anchor for sandwich panels. After installation in the centre of the load-bearing layer, the head is approximately in the centre gravity axis of the sandwich panel; this ensures an effective load transmission. This allows the sandwich panels to be lifted and mounted almost vertically (the use of a spreader beam is recommended).



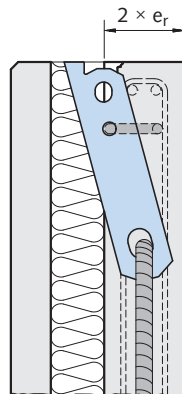
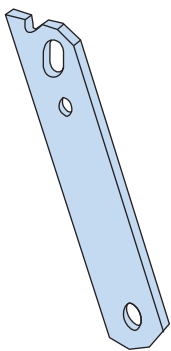
Damage to the concrete is avoided when lifted as shown in the illustration. Placing connector pins in the anchor zone has proven beneficial. Lift all face-up produced panels using a tilting table (facing layer up method of production → page 25). The shape of the anchor head has been specially designed for the KKT accessory range.



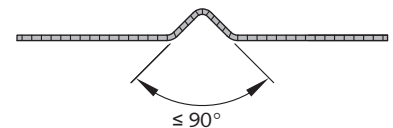
Further information on offset spherical head lifting anchors can be found in the **Technical Product Information KKT**.  
[www.halfen.com](http://www.halfen.com) ▶ Publications ▶ Catalogues ▶ Lifting systems



### Transport anchor TPA-FX

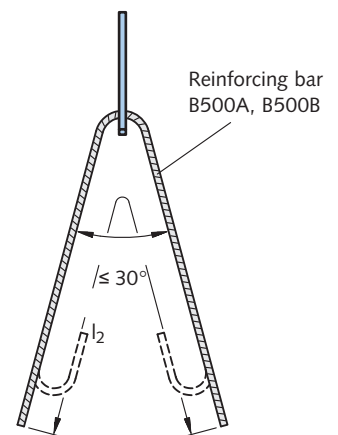


#### Additional reinforcement



The head of the TPA-FX lifting anchor is designed to be installed at a slant. This ensures that the anchor is approximately at the centre of gravity of the sandwich panel.

This makes sure that the panel hangs almost straight during lifting and installation (the use of a spreader beam is recommended). The TPA-FX can be used to align negative and positive cast sandwich panels (→ page 25).



Further information on TPA-FX Sandwich panel lifting anchors can be found in the **Technical Product Information TPA**.  
[www.halfen.com](http://www.halfen.com) ▶ Publications ▶ Catalogues ▶ Lifting systems



## HALFEN SANDWICH PANEL ANCHORS

### Further Products for Sandwich Panels

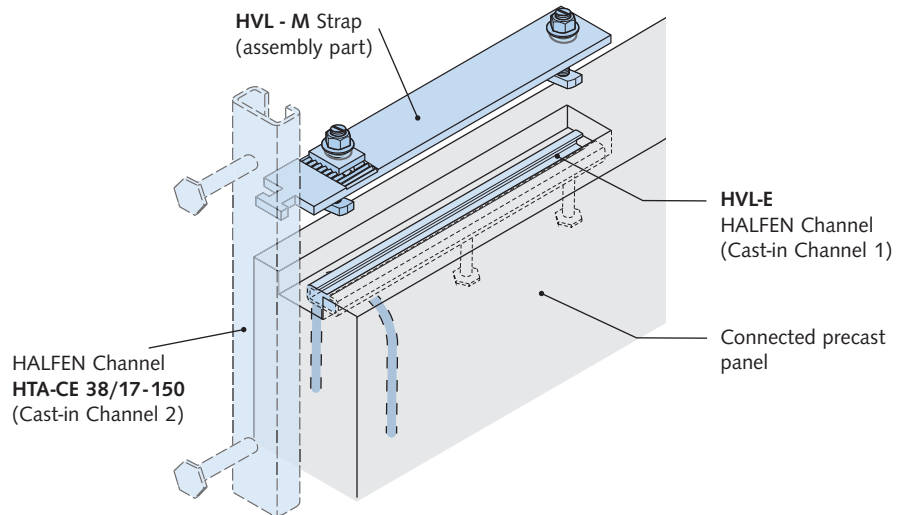
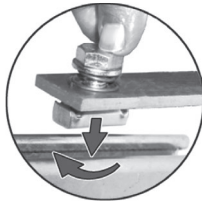
HALFEN supplies further products for fixing sandwich panels.

#### HVL Precast panel connector

Wall elements (for example the load-bearing layers of sandwich panels) can be connected to in situ columns using the HALFEN HVL Precast panel connector.

#### Assembly:

The connection strap is delivered pre-assembled ready to install.



#### HBJ-W Betojuster

The HALFEN HBJ Betojuster is a product specially developed by HALFEN. The screw adjustment device allows quick adjustment and alignment of precast concrete elements especially suitable for aligning wall elements.

The HBJ Betojuster provides the building contractor with an easy, and therefore, a safe method for precise vertical adjustment of walls elements, whilst simultaneously avoiding injuries and preventing tool damage to the concrete elements.

Adjustment is quick and easy, requiring only standard tools.



#### Advantages:

- easy, damage-free height-adjustment
- crane time optimization; once the element is placed and secured the crane is available to lift the next element
- adjustment range up to 35 mm
- requires only standard tools
- minimal effort required
- especially designed for restricted access
- it is not necessary to grout the screw slots

## CONTACT HALFEN WORLDWIDE

HALFEN is represented by subsidiaries in the following countries, please contact us!

Austria	HALFEN Gesellschaft m.b.H. Leonard-Bernstein-Str. 10 1220 Wien	Phone: +43-1-259 6770 E-Mail: office@halfen.at Internet: www.halfen.at	
Belgium / Luxembourg	HALFEN N.V. Borkelstraat 131 2900 Schoten	Phone: +32-3-658 07 20 E-Mail: info@halfen.be Internet: www.halfen.be	Fax: +32-3-658 15 33
China	HALFEN Construction Accessories Distribution Co.Ltd. Room 601 Tower D, Vantone Centre No. A6 Chao Yang Men Wai Street Chaoyang District Beijing · P.R. China 100020	Phone: +86-10 5907 3200 E-Mail: info@halfen.cn Internet: www.halfen.cn	Fax: +86-10 5907 3218
Czech Republic	HALFEN s.r.o. Business Center Šafránkova Šafránkova 1238/1 155 00 Praha 5	Phone: +420-311-690 060 E-Mail: info@halfen.cz Internet: www.halfen.cz	Fax: +420-235-314 308
France	HALFEN S.A.S. 18, rue Goubet 75019 Paris	Phone: +33-1-445231 00 E-Mail: halfen@halfen.fr Internet: www.halfen.fr	Fax: +33-1-445231 52
Germany	HALFEN Vertriebsgesellschaft mbH Liebigstr. 14 40764 Langenfeld	Phone: +49-2173-970-0 E-Mail: info@halfen.de Internet: www.halfen.de	Fax: +49-2173-970 225
Italy	HALFEN S.r.l. Soc. Unipersonale Via F.lli Bronzetti N° 28 24124 Bergamo	Phone: +39-035-0760711 E-Mail: tecnico@halfen.it Internet: www.halfen.it	Fax: +39-035-0760799
Netherlands	HALFEN b.v. Oostermaat 3 7623 CS Borne	Phone: +31-74-267 14 49 E-Mail: info@halfen.nl Internet: www.halfen.nl	Fax: +31-74-267 26 59
Norway	HALFEN AS Postboks 2080 4095 Stavanger	Phone: +47-51 82 34 00 E-Mail: post@halfen.no Internet: www.halfen.no	
Poland	HALFEN Sp. z o.o. Ul. Obornicka 287 60-691 Poznan	Phone: +48-61-622 14 14 E-Mail: info@halfen.pl Internet: www.halfen.pl	Fax: +48-61-622 14 15
Spain	HALFEN IBERICA, S.L. Polígono Industrial Santa Ana c/ Ignacio Zuloaga 20 28522 Rivas-Vaciamadrid	Phone: +34 916 669 181 E-Mail: info@halfen.es Internet: www.halfen.es	Fax: +34 916 669 661
Sweden	Halfen AB Vädursgatan 5 412 50 Göteborg	Phone: +46-31-98 58 00 E-Mail: info@halfen.se Internet: www.halfen.se	Fax: +46-31-98 58 01
Switzerland	HALFEN Swiss AG Hertistrasse 25 8304 Wallisellen	Phone: +41-44-849 78 78 E-Mail: info@halfen.ch Internet: www.halfen.ch	Fax: +41-44-849 78 79
United Kingdom / Ireland	HALFEN Ltd. A1/A2 Portland Close Houghton Regis LU5 5AW	Phone: +44-1582-47 03 00 E-Mail: info@halfen.co.uk Internet: www.halfen.co.uk	Fax: +44-1582-47 03 04
United States of America	HALFEN USA Inc. PO Box 18687 San Antonio TX 78218	Phone: +1 800.423.91 40 E-Mail: info@halfenusa.com Internet: www.halfenusa.com	Fax: +1 877.683.4910

Furthermore HALFEN is represented with sales offices and distributors worldwide. Please contact us: [www.halfen.com](http://www.halfen.com)

Australia <b>Exclusive distributor</b>	Ancon Building Products 98 Kurrajong Avenue · Mount Druitt Sydney NSW 2770	Phone: +61-2-8808 3100 E-Mail: info@ancon.com.au Web: www.ancon.com.au	Fax: +61-2-9675 3390
New Zealand <b>Exclusive distributor</b>	Ancon Building Products 2/19 Nuttall Drive · Hillsborough Christchurch 8022	Phone: +64-3-376 5205 E-Mail: info@ancon.com.nz Web: www.ancon.com.nz	Fax: +64-3-36 5206

### NOTES REGARDING THIS CATALOGUE

**Technical and design changes reserved.** The information in this publication is based on state-of-the-art technology at the time of publication. We reserve the right to make technical and design changes at any time. HALFEN GmbH shall not accept liability for the accuracy of the information in this publication or for any printing errors.

The HALFEN GmbH subsidiaries in Germany, France, the Netherlands, Austria, Poland, Switzerland and the Czech Republic are Quality Management certified according to **ISO 9001:2015**, Certificate no. 202384-2016-AQ-GER-DAkKS.





For further information please contact: [www.halfen.com](http://www.halfen.com)