

HALFEN CAST-IN CHANNELS

Technical Product Information



Leviat

We imagine, model and make engineered products and innovative construction solutions that help turn architectural visions into reality and enable our construction partners to build better, safer, stronger and faster.

Leviat is a world leader in connecting, fixing, lifting and anchoring technology.

From the build of new schools, hospitals, homes and infrastructure, to the repair and maintenance of heritage structures, our engineering skills are making a difference around the world.

We provide technical design assistance at every stage of a project, from initial planning to installation and beyond.

Our technical support services range from simple product selection through to the development of a fully customised project-specific design solution.

Every promise we make locally, has the commitment and dedication of our global team behind it. We employ almost 3,000 people at 60 locations across North America, Europe and Asia-Pacific, providing an agile and responsive service worldwide.

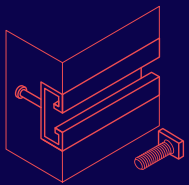




>3,000
People

60+
Locations

~20
Countries

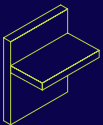


Anchoring & Fixing

Systems for fixing secondary fixtures to concrete, including anchor channels, bolts and inserts; also tension rod systems for roofs and canopies.

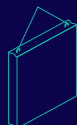
- Cast-in Channels, T-Bolts & Accessories
- Threaded Inserts
- Rod Systems
- Attachment Points
- Post Installed Anchor Systems

Other areas of expertise:



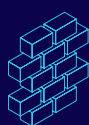
Structural Connections

Systems to form robust, efficient connections, and continuity of concrete reinforcement as necessary, between walls, slabs, columns, beams and balconies, providing structural integrity as well as enhanced thermal and acoustic performance.



Lifting & Bracing

Systems for the safe and efficient transportation, lifting and temporary bracing of cast concrete elements and tilt-up panels before permanent structural connections are made.



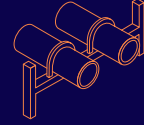
Façade Support & Restraint

Systems for the safe and thermally-efficient fixing of the external building envelope, including brick and natural stone, insulated sandwich panels, curtain walling and suspended concrete façades, and also the repair and strengthening of existing masonry installations.



Formwork & Site Accessories

Non-structural accessories that complement our engineered solutions and help keep your construction environment operating safely and efficiently, including moulds for casting standard and special concrete elements and construction essentials such as reinforcing bar spacers.

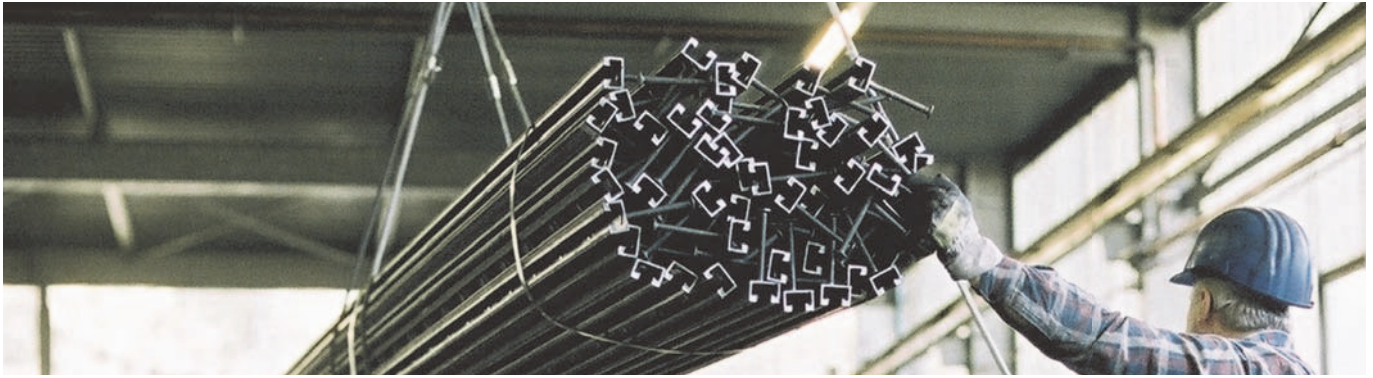


Industrial Technology

Mounting channels, pipe clamps and other versatile framing systems that provide safe fixing in a wide range of industrial applications.

Leviat product ranges:

Ancon | Aschwanden | Connolly | Halfen | Helifix | Iседio | Meadow Burke | Modersohn | Moment | Plaka | Scaldex | Thermomass



HALFEN CAST-IN CHANNELS

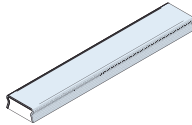
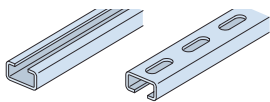
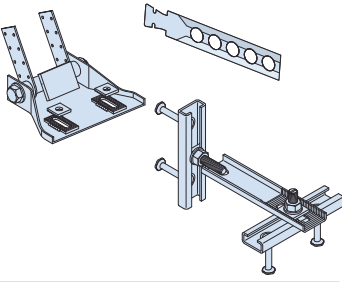
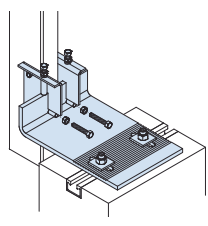
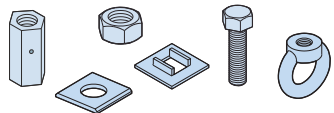
Content

Better safe than sorry – The right channel for each application	6–7	
1 General Information	8 – 11	
Sustainability, Quality, BIM	8	
Materials	9	
Corrosion protection	10	
Channel marking, identification	11	
2 Dimensioning	12–15	
Verification method	12	
Calculation basics, Verification flow chart	13	
HTA-CE/HZA Software	14-15	
Tender text example	15	
3 HALFEN HTA-CE Cast-in Channels	16–26	
The benefits at a glance	16	
Application examples	17	
Product range – overview channels and bolts	18–19	
HALFEN Bolts type HS	20–23	
HALFEN Bolts type HSR	24	
Dynamic loads, edge and bolt spacing HTA-CE standard lengths, HTA-CS Channels “curved solution”	25 26	
4 HALFEN HZA Cast-in Channels, serrated	27–33	
The benefits at a glance	27	
Application examples	28	
Product range – Overview channels and bolts	29	
HZA standard lengths, HZA-CS Channels “curved solution”	30	
HALFEN HZS Bolts	31–32	
Edge and bolt spacings	33	
5 HTA-CE/HZA Installation	34–37	
Installation aids and further channel parts	34	
Installation in pre-stressed concrete	35	
Channel installation to formwork or concrete	36	
Installing HALFEN Bolts and attached structures	37	



HALFEN CAST-IN CHANNELS

Content

6 HALFEN HTU Channels	38-44	
HALFEN HTU-S cast-in channel for fixing Profiled Sheet Metal	38-40	
C-shaped channels with welded anchors	40-44	
7 HALFEN Framing Channels	45-47	
The benefits at a glance	45	
Type overview – an extract from the framing channel catalogues	46-47	
8 Roof and wall	48-60	
The right solution for each application	48	
Application examples	49	
HSF Rafter shoe	50	
HNA Timber fixing strip	51	
Brick tie anchor systems ML + BL	52-54	
HALFEN Anchor bolt systems	55	
Restraint ties	56-58	
HVL Precast connection	59	
HKW Corner guard	60	
9 HALFEN Curtain Wall System	61-73	
The benefits at a glance	61	
Application examples	62	
General, post and beam facade and modular facade	63	
Product range	64-65	
HALFEN Channel HCW 52/34	66-67	
HALFEN Cast-in channels with rebar	68	
Edge of slab anchors HCW-ED	69	
Dimensioning	70-71	
Top of slab brackets HCW-B1 and HCW-B2	72-73	
10 Accessories	74-77	
The benefits at a glance	74	
Nuts and washers	75	
Threaded rods, hexagonal head bolts, coupler sleeves, ring nuts	76	
Rail clips	77	
Appendix		
Contact, technical support	78-79	

BETTER SAFE THAN SORRY

The right channel for every application

HALFEN Cast-in channels are the ideal basis for easy-to-install, adjustable connections. Besides their excellent adjustability, HALFEN Cast-in channels save considerable installation time, resulting in faster construction and therefore cost savings. HALFEN Channels are suitable for various types of construction connections, for example; façades, precast concrete elements, stadium seating, in civil engineering (fixing of tunnel signals),

lift guide-rails, crane runway, and pipe fixings under bridges. HALFEN Cast-in channels type HTA-CE and HZA comply with AS 5216:2021.

HALFEN Fixing systems – The intelligent alternative to drilling and welding.



Features

- › adjustable
- › hot-rolled profile; suitable for dynamic loads
- › can be installed in concrete pressure and tensile-stress zones
- › with European Technical Assessment
- › complies with AS 5216:2021

Application

- › fixing of all types of building components



Features

- › adjustable, with load transmission in longitudinal channel direction
- › suitable for dynamic loads (applies for hot-rolled and serrated DYNAGRIP® channels)
- › can be installed in concrete pressure and tensile-stress zones
- › with European Technical Assessment
- › complies with AS 5216:2021

Application

- › fixing of all types of building components



Features

- › as for DYNAGRIP® Channels
- › suitable for exceptional load cases in safety critical areas with high requirements for extraordinary impacts – for concrete crack widths up to 1.5 mm

Application example

- › fixing of all types of building components in safety critical areas with high requirements for extraordinary impacts i.e. in nuclear power stations and similar facilities

APPLICATION EXAMPLES HALFEN CAST-IN CHANNELS

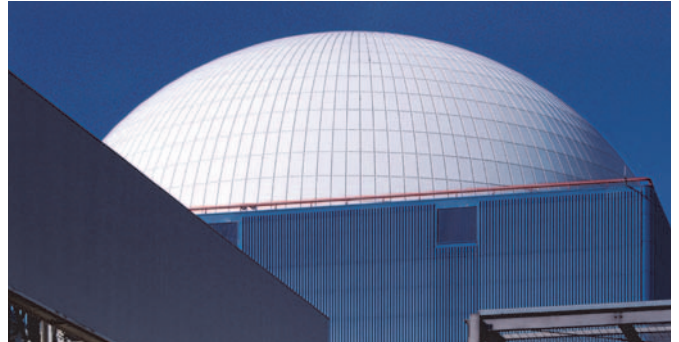
Areas of Application

CURTAIN WALL



Crown Sydney/Australia

POWER STATIONS



Power station

SPORTS



Rheinenergiestadion, Cologne/Germany

BRIDGES



Passerelle Simone de Beauvoir, Paris/France

TUNNELS



Lötschberg-Base tunnel, Switzerland

LIFTS AND ELEVATORS



Lift fixings, guide-rails

HTU TRAPEZOIDAL SHEET PANELS



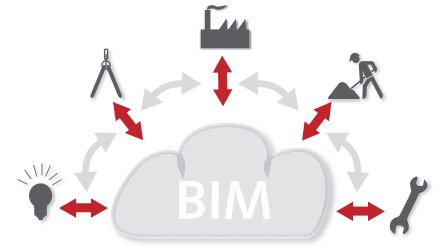
UPS Air Hub, Cologne Bonn Airport, Germany

HALFEN CAST-IN CHANNELS

General

BIM

Having completed various projects using BIM methodology, we have considerable experience as a BIM partner. All Leviat engineers are trained to supervise this process in precise detail. Our combination of extensive experience and highly-trained engineers means we are perfectly placed to meet the increasing demand for BIM projects. Examples of our previous projects developed using BIM can be found at www.halfen.com ► [Service](#) ► [BIM](#) ► [BIM references](#).



Sustainability

An EPD® (Environmental Product Declaration) provides transparent and comparable ecological data which helps to evaluate the sustainability of a building. During the planning phase, the data provided here is of great significance for architects and planners. Additionally, the data provided helps to ensure the high demands on the environmental performance of the building are met.

Health Product Declarations (abbrev. =HPD) complement our information on sustainability. The HPDs include a list of all components and information on the health effects of these components.

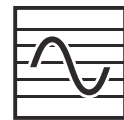
The new HPD for hot-dip galvanized HALFEN Cast-in channels helps to achieve additional points in the Leed v4 system.

www.halfen.com ► [Brochures](#) ► [Product declarations](#).



Fire-resistance / Material fatigue

A wide variety of HALFEN Cast-in channels are tested under fire exposure (according to TR 020 "Evaluation of anchorages in concrete with regard to fire resistance") as well as under cyclic loading. More details, characteristic resistances under fire exposure and fatigue resistances, are provided in the respective European Technical Assessments.



Approvals on the internet

Current valid approvals for HTA and HZA Anchor channels can be found at:

www.ancon.com.au ► [products](#) ► [halfen-anchor-channels](#)

Complies with the Australian Standard AS 5216:2021

"Design of Post-installed and Cast-in Fastenings"

Quality

Quality is the outstanding feature of our products. All materials and products are subjected to the most stringent quality control procedures. Our facilities in Germany and Poland are Quality Management certified in accordance with DIN EN ISO 9001:2015, Certificate no. SZI-Q-1765-A.



HALFEN CAST-IN CHANNELS

General – all channels

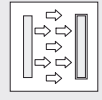
Hot-dip galvanized FV:

Dipped in galvanizing bath, with a temperature of app. 460°C; this method is used for the Halfen Anchor Channels and a range of Halfen T-bolts.



Zinc galvanized GV:

A wide range of HALFEN T-bolts are electrogalvanized and coated with a Cr(VI)-free thick layer passivation.



HALFEN Cast-in channels, steel, hot-dip galvanized

	Steel		
	Material	Standard	Zinc coat
Channel profile	1.0038	EN 10 025-2 ①	FV: ≥ 55 µm
	1.0044	EN 10 025-2 ①	FV: ≥ 55 µm
Bolt anchor B6	Steel	EN 10263 or EN 10269	FV: ≥ 55 µm
Weld-on anchor	Steel	EN 10 025-2	FV: ≥ 55 µm

① Steel according to EN 10 025-2 and HALFEN specification

HALFEN Bolts, galvanized steel

	Steel		
	Material	Standard	Zinc coat
Bolt	Steel (Sc) 4.6 or (Sc) 8.8	EN ISO 898-1	FV: ≥ 50 µm GVs: ≥ 12 µm
Hexagonal nut	Steel (Sc) 5 or (Sc) 8	EN 898-2	FV: ≥ 50 µm GVs: ≥ 12 µm
Washer	Steel	EN ISO 7089, EN ISO 7093	FV: ≥ 50 µm GVs: ≥ 12 µm

Stainless steel (NR):

Chromium is the most important alloy element in stainless steel. A specific chromium concentration ensures the generation of a passive layer on the surface of the steel that protects the base material against corrosion. This explains the high corrosion resistance of stainless steel.



Materials:

- WB** = Steel, mill finished
- FV** = Steel, hot-dip galvanized
- GVs** = Steel, zinc plated (special coating)
- A4** = Stainless steel 1.4571 / 1.4404 / 1.4578
- FA** = Stainless steel 1.4462
- HCR** = Stainless steel 1.4547 / 1.4529

(Sc) = Strength class

HALFEN Cast-in channels, stainless steel

	Stainless steel		
	Material	Standard	Corrosion resistance class ②
Channel profile	1.4404 or 1.4571	EN 10 088	III
	1.4529 or 1.4547		V
Bolt anchor B6	1.4404, 1.4571 or 1.4578	EN 10 088	III
	1.4529 or 1.4547		V
Weld-on anchor	1.4404 or 1.4571	EN 10 088	III
	Steel ③	EN 10 025-2	

HALFEN Bolts, stainless steel

	Stainless steel		
	Material	Standard	Corrosion resistance class ②
Bolt	1.4404, 1.4571, 1.4578 (A4-50 or A4-70 ④)	EN 3506-1 and EN 10 088	III
	1.4462 (FA-70)		IV
	1.4529, HCR-50	EN 3506-1	V
Hexagonal nut	1.4404, 1.4571, 1.4578 (A4-50, A4-70)	EN 3506-2 and EN 10 088	III
	1.4462 (FA-70)		IV
	1.4529, HCR-50		V
Washer	1.4404, 1.4571	EN 10 088	III
	1.4462		IV
	1.4529 or 1.4547		V






② See EN 1993-1-4, table A.3; ③ Corrosion protection of mill finished anchor, see page 10

④ Stainless steel, strength class 70 bolts are delivered subject to availability from stock in A4-70 grade material or in a higher FA-70 (1.4462) grade material. This applies to all HALFEN Bolts listed as A4-70 material in this catalogue

HALFEN CAST-IN CHANNELS

General - all channels

Corrosion protection requirements

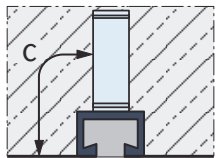
Material and applications				
	1	2	3	4
Description	Dry interior rooms	Damp interior rooms	Medium corrosion level	High level of corrosion
Definition of application areas	Anchor channels may only be used in components in indoor environments. For example: living and office spaces, schools, hospitals, commercial shops with the exception of wet rooms as in column 2.	Anchor channels may also be used in components in areas with normal humidity. For example: kitchens, bathrooms and laundry-rooms in residential buildings. Exceptions; where permanent steam is present, and under water.	Anchor channels may also be used in outdoor environments (including industrial environments and coastal regions) or in wet rooms, if conditions are not especially aggressive (for example: continual immersion in sea water etc. as in column 4).	Anchor channels may also be used in exceptionally aggressive environments (for example: continual immersion in sea water) or in seawater spray zones, chloride environments in swimming pools or in environments with an extremely aggressive chemical atmosphere (for example: flue gas desulfurization plants or road tunnels where de-icer systems are in use).
Channel profile	 Steel 1.0038, 1.0044; EN 10025 Hot-dip galvanized ≥ 55µm ⑥	Steel 1.0038, 1.0044; EN 10025 Hot-dip galvanized ≥ 55µm ⑥ Stainless steel 1.4307, 1.4567, 1.4541; EN 10088	Stainless steel 1.4404, 1.4571, 1.4062, 1.4162, 1.4362 EN 10088	Stainless steel 1.4462 ②, 1.4529, 1.4547 EN 10088
Anchor	 Steel 1.0038, 1.0214, 1.0401, 1.1132, 1.5525; EN 10263, EN 10269 Hot-dip galvanized 55µm ⑥	Steel 1.0038, 1.0214, 1.0401, 1.1132, 1.5525; EN 10263, EN 10269 Hot-dip galvanized ≥ 55µm ⑥ Stainless steel 1.4307, 1.4567, 1.4541; EN 10088	Stainless steel 1.4404, 1.4571, 1.4362, 1.4578 EN 10088 Mill finish, 1.0038 ③	
Special HALFEN Bolts with shaft and bolts in accordance with EN ISO 4018	 Steel strength class 4.6/8.8 EN ISO 898-1 Zinc galvanized ≥ 5µm ④	Steel strength class 4.6 / 8.8; EN ISO 898-1, Hot-dip galvanized ≥ 50µm ① ⑤ Stainless steel, strength class 50, 70 1.4307, 1.4567, 1.4541 EN ISO 3506-1	Stainless steel Strength class 50, 70 1.4404, 1.4571, 1.4362, 1.4578 EN ISO 3506-1	Stainless steel Strength class 50, 70 1.4462 ②, 1.4529, 1.4547 EN ISO 3506-1
Washers EN ISO 7089 and EN ISO 7093-1 Product classification A, 200 HV	 Steel EN 10025 Zinc galvanized ≥ 5µm ④	Steel EN 10025 Hot-dip galvanized ≥ 50µm ① ⑥ Stainless steel Steel grade A2, A3; EN ISO 3506-1	Stainless steel Steel grade A4, A5 EN ISO 3506-1	Stainless steel 1.4462 ②, 1.4529, 1.4547 EN ISO 3506-1
Hexagonal nut EN ISO 4032	 Steel strength class 5/8 EN ISO 898-2 Zinc galvanized ≥ 5µm ④	Steel strength class 5/8 EN ISO 898-2 Hot-dip galvanized ≥ 50µm ① ⑤ Stainless steel, strength class 70, 80 Steel grade A2, A3 EN ISO 3506-2	Stainless steel Strength class 70, 80 Steel grade A4, A5 EN ISO 3506-2	Stainless steel Strength class 70, 80 1.4462 ②, 1.4529, 1.4547 EN ISO 3506-2
① or zinc galvanized with special coating ≥ 12 µm ② 1.4462 not suitable for swimming baths ③ Steel in accordance with EN 10025, 1.0038 not for anchor channels 28/15 and 38/17			④ Zinc galvanized in accordance with EN ISO 4042 ⑤ Hot-dip galvanized in accordance with EN ISO 10684 ⑥ Hot-dip galvanized in accordance with EN ISO 1461	

HALFEN Channels (NR) mill finish welded-on anchors

Corrosion protection of the mill finished weld-on anchor is based on the following concrete cover c:

Concrete cover c [mm]					
	30	35	40	50	60
Profile HTA-CE	-	40/22P	52/34	55/42	72/48
	-	40/25	54/33	-	-
	-	-	50/30P	-	-
	-	-	49/30	-	-
Profile HZA	38/23	41/22	53/34	64/44	-

The minimum concrete cover depends on local environmental conditions and bid specifications.



Concrete cover c

HALFEN Channels (NR) made completely in stainless steel

The HALFEN Cast-in channels "entirely of stainless steel" are not restricted to any minimum concrete cover as no relevant corrosion occurs.

Areas of application

- bridge and tunnel construction (fastening of pipes, etc.)
- construction of sewage treatment plants (fixing of spillovers)
- chemical industry (installations exposed to aggressive substances)
- ventilated façades, e.g. masonry renders
- also for all structural reinforced concrete elements with higher demands on the concrete cover

HALFEN Channels made in stainless steel – HCR

The high corrosion resistance (HCR) HALFEN Cast-in channels are mandatory when high concentrations of chlorides, sulphur and nitrogen oxides are present.

Areas of application

- road tunnels
- structures in salt water
- indoor swimming pools
- areas not routinely cleaned
- poorly ventilated parking garages
- in narrow, major city streets

HALFEN CAST-IN CHANNELS

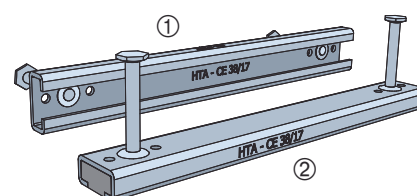
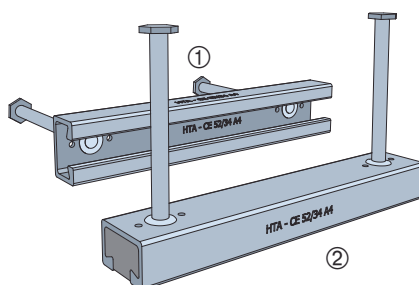
General - all channels

Identification

Channel material	Type identification example
1.0038 / 1.0044	HTA-CE 38/17 HZA 53/34
A4: 1.4404 / 1.4571	HTA-CE 38/17 - A4 HZA 53/34 - A4
HCR: 1.4529 / 1.4547	HTA-CE 38/17 - HCR

Type identification

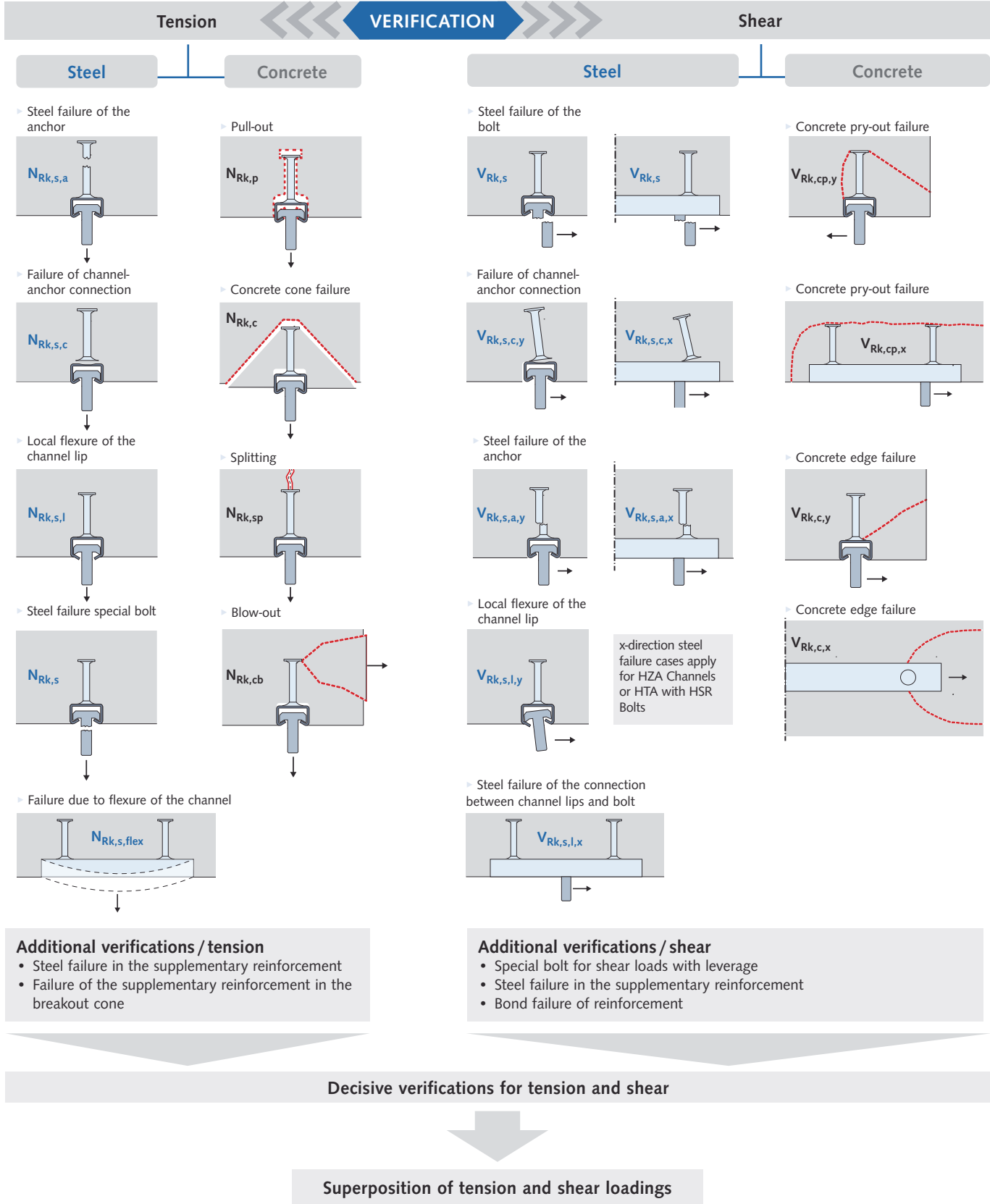
- ① Inside on the bottom of the channel
- ② Additionally on the channel side



HALFEN CAST-IN CHANNELS

Dimensioning HTA-CE and HZA Cast-in Channels

Verification method according to AS 5216:2021



HALFEN CAST-IN CHANNELS

Dimensioning HTA-CE and HZA Cast-in Channels

Calculation basics

The following information is necessary to verify an anchor channel:

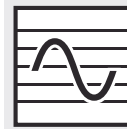
- › type of HALFEN Cast-in channel and material
- › length of the HALFEN Cast-in channel with number of anchors and spacing
- › position of the HALFEN Cast-in channel in the concrete, defined by its distance from the lower, upper, left and right edges of the component
- › thickness of the concrete elements
- › concrete strength class
- › condition of the concrete; cracked or verified as non-cracked
- › dense reinforcement in the vicinity of the anchor channel
- › HALFEN T-head bolt thread size
- › bolt positions
- › tensile load and shear load of each bolt

Technical support

Engineering services and technical support for your individual projects.

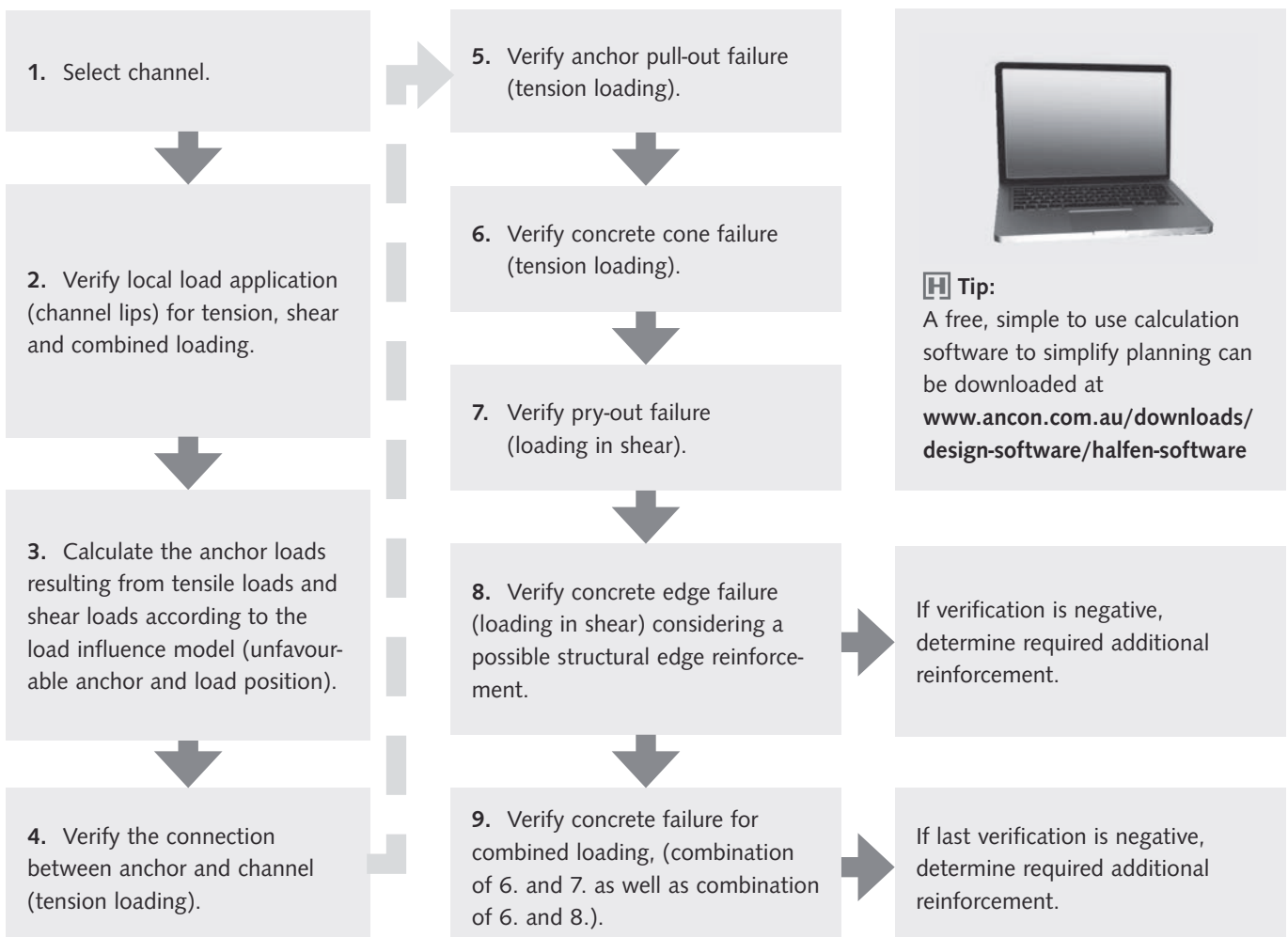


Our contact information can be found at the back of this catalogue.



Design values under dynamic loads for HTA-CE are given at page 25.

Verification method



Tip:
A free, simple to use calculation software to simplify planning can be downloaded at www.ancon.com.au/downloads/design-software/halfen-software

HALFEN CAST-IN CHANNELS

Dimensioning HTA-CE and HZA Cast-in Channels

HALFEN HTA-CE/HZA Software

The HALFEN Calculation program for HALFEN Cast-in channels according to the ETA provides the user with a convenient and very powerful calculation tool.

Verifications

AS 5216:2021 requires a wide range of verifications for cast-in channels and the concrete used. These verifications are processed by the user-friendly dimensioning Software. In just a few seconds the user is provided with a list of suitable HALFEN Cast-in channels for the relevant load situation.

Boundary conditions

The calculation takes into account all necessary boundary conditions, typical examples being:

- cracked or non-cracked concrete
- the geometry of the concrete components, in particular the distances from the channel to the component edge
- various reinforcement patterns
- consideration of several dimensioning or characteristic loads
- positioning of the loads with a definable adjustment range, and the option of shifting the defined bolt pattern along the complete channel length
- verification of the required HALFEN T-head bolts and if required also for stand-off installations
- verification of longitudinal forces in HALFEN HZA serrated cast-in channels

Input

The geometry and loads are entered interactively. Entries are displayed promptly in a 3D graphic. Entries can also be changed directly in the graphic. Click on the load, the measurement or the component line you want to change to make the required modification.

Input loads

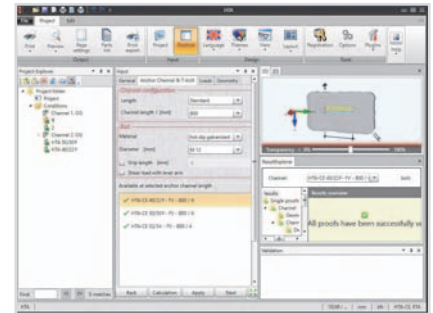
In addition to direct input of bolt loads, it is also possible to calculate the resulting loads by entering the actions/loads caused by secondary components (for example, curtain wall applications).

Results

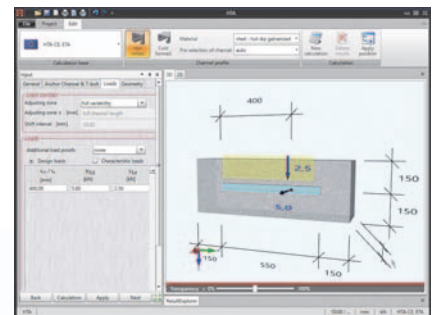
After calculation, the software output provides either the results for a preselected profile, or in the case of automatic selection a list of all suitable profiles. Profiles and T-bolts with in-complete verifications are high-lighted in red.



Screenshot 1: The HALFEN Anchor Channel Software start screen



Screenshot 2: Input screen, HALFEN Anchor Channel Software



Screenshot 3: Interactive 3D display



Screenshot 4: Results list

All software can be found under:

www.ancon.com.au ► [downloads](#) ► [design-software](#) ► [halfen-software](#)

HALFEN CAST-IN CHANNELS

Dimensioning HTA-CE and HZA Cast-in Channels

HALFEN HTA-CE/HZA Software

Visual control

All verifications for the current channel profile are listed in a tree structure. Green check-marks indicate successful verifications. Red check-marks indicate unsatisfactory verifications.

For further visual control a progress bar on the right indicates the status of the verification process. Here too, red bars mean that a load has been exceeded, while green bars symbolize verifications that meet the criteria.

Detailed calculation information (with load positions, section sizes and utilization factors) can also be selected in a tree menu.

After selecting a HALFEN Cast-in channel and suitable bolts, the dimensioning results can be imported into the data list and saved.

Print-outs

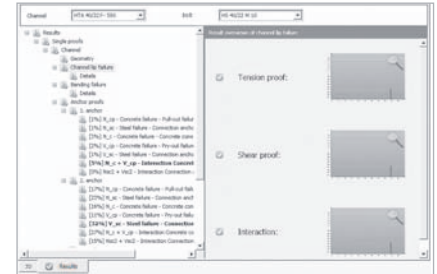
Print-outs are possible in a brief and in a verifiable long version. The long version includes all decisive verifications, a diagram of necessary reinforcement and a 2D graphic of the geometry and load.

The latest version of the dimensioning program is available for download on the Internet at:

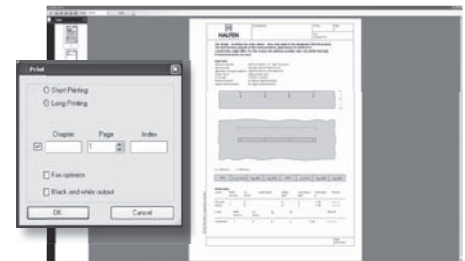
www.ancon.com.au ► **downloads** ► **design-software** ► **halfen-software**.

System requirements:

- Windows 10, Windows 8, Windows 7,
- Microsoft .NET Framework 4.6



Screenshot 5: Overview of results



Screenshot 6: Print preview

Tender text example

HALFEN HTA-CE type Channel 49/30 - A4 - 350 - KF - ANK.A4

HALFEN HTA-CE Channel 49/30 with smooth channel lips for adjustable fixing of components,

according to European Technical Assessment ETA-09/0339, suitable for anchoring in reinforced or non-reinforced standard concrete in a strength class of at least C12/15 and a maximum C90/105 in accordance with EN 206 under quasi-static loading as well as fire exposure.

Type HTA-CE 49/30 - A4 - 350 - KF - ANK.A4

with

$N_{Rk,s,c} = 31 \text{ kN}$ = char. resistance, steel failure (tension), connection channel anchor

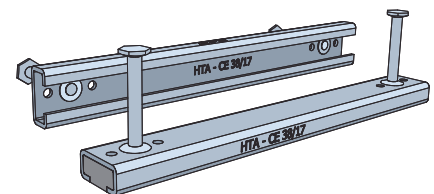
A4 = Carbon steel or stainless steel 1.4404 / 1.4571,

350 = Channel length [mm] with 3 anchors,

KF = Foam strip filler,

ANK.A4 = Anchor in stainless steel 1.4404 / 1.4571 / 1.4578,

or equivalent; deliver and install according to the manufacturer's instructions.



ETA - 09 / 0339

HTA-CE CAST-IN CHANNELS

The benefits at a glance

In addition to their excellent adjustability, HALFEN Cast-in channels save considerable installation time. The result – faster construction and therefore increased cost savings.



HALFEN HTA-CE Cast-in channels, cold-rolled

Safe and reliable

- › no damage to the reinforcement
- › approved for fire-resistant structural elements
- › suitable for use in concrete pressure and tensile stress zones
- › high corrosion resistance steels available
- › hot-rolled profiles suitable for dynamic loads
- › European Technical Assessment (ETA)
- › precise calculation with HALFEN Anchor channel software
- › complies with AS 5216:2021

Quick and economical

- › adjustable anchoring
- › bolts instead of welding
- › maximum efficiency when installing matrices and rows
- › cost effective installation using standard tools
- › optimised pre-planning reduces construction time
- › large range of types available for various requirements
- › no noise, no dust and no vibration during installation



HALFEN HTA-CE Cast-in channels, hot-rolled

HALFEN HTA-CE CAST-IN CHANNELS

Application Examples

CURTAIN WALL



Fixings for curtain wall façades

CURTAIN WALL



Fixings for curtain wall façades

SPORTS



Seat fixing in stadiums

LIFTS/ELEVATOR FIXINGS



Fixing guide-rails with HALFEN Channels

NOISE BARRIERS



Fixings of noise barriers to concrete posts

BRIDGES



Fixings for drainage systems

UTILITY TUNNELS



Utility fixings in TBM tunnels with curved anchor channels

TUNNELS



Fixing of overhead cables in railway tunnels

HALFEN HTA-CE CAST-IN CHANNELS

Product range – Overview: channel and bolts

Identification values HTA-CE						
Profile	HTA-CE 72/48	HTA-CE 55/42	HTA-CE 52/34	HTA-CE 50/30P	HTA-CE 40/22P	
Type	hot-rolled	hot-rolled	hot-rolled	hot-rolled	hot-rolled	
Geometry HALFEN HTA-CE Channels <p>Note: observe the installation height h_{nom}</p>						
Material	Steel	■	■	■	■	
material description: see page 9	A4	■	-	■	■	
	HCR	-	-	-	-	
Bolts	HS 72/48	HS 50/30	HS 50/30	HS 50/30	HS 40/22	
Threads	M20-M30	M10-M20	M10-M20	M10-M20	M10-M16	
$s_{i,N}$ [mm]	144	109	105	98	79	
Profile load capacity*						
$N^0_{Rd,s,l}$ [kN]	66.7	61.1	40.0	23.9	21.1	
$V^0_{Rd,s,l}$ [kN]	81.1	61.1	43.5	32.8	19.4	
$M_{Rd,s,flex}$ [Nm]	7472	5606	2933	2437	1208	
Geometry						
h_{nom} [mm] ① ②	(191)	182 (185)	162 (164)	112	97	
b_{ch} [mm]	72	54.5	52.5	49	39.5	
h_{ch} [mm]	48.5	42	33.5	30	23	
I_y [mm ⁴]	Steel					
	NR	349721	187464	93262	52896	20029
h_{ef} [mm]		179	175	155	106	91
c_{min} [mm]		150	100	100	75	50
* Concrete load capacity has to be verified for each individual case (taking the geometric boundary conditions into account).						
NR = Stainless steel		$N^0_{Rd,s,l}$ = channel lip load capacity (tension)		① Nominal size and tolerance		
c_{min} = minimal spacing channel/concrete edge		$V^0_{Rd,s,l}$ = channel lip load capacity (shear)		② weld-on I- or T- anchors subject to available stock; for these (h_{nom}) values are in brackets		
s_{slb} = axial spacing for bolts for $N^0_{Rd,s,l}$						

HALFEN HTA-CE CAST-IN CHANNELS

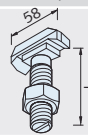
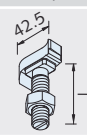
Product range – Overview: channel and bolts

Identification values HTA-CE		HTA-CE 54/33	HTA-CE 49/30	HTA-CE 40/25	HTA-CE 38/17	HTA-CE 28/15
Profile		HTA-CE 54/33	HTA-CE 49/30	HTA-CE 40/25	HTA-CE 38/17	HTA-CE 28/15
Type		cold-rolled	cold-rolled	cold-rolled	cold-rolled	cold-rolled
Geometry						
HALFEN Channels HTA-CE						
<p>Note: observe the installation height h_{nom}</p>						
Material	Steel	■	■	■	■	■
material description: see page 9	A4	■	■	■	■	■
	HCR	-	■	-	■	■
Bolts		HS 50/30	HS 50/30	HS 40/22	HS 38/17	HS 28/15
Threads		M 10-M 20	M 10-M 20	M 10-M 16	M 10-M 16	M 6-M 12
$s_{l,N}$ [mm]		107	100	80	76	56
Profile load capacity*						
$N_{Rd,s,l}^0$ [kN]		30.6	17.2	11.1	10.0	5.0
$V_{Rd,s,l}^0$ [kN]						
$M_{Rd,s,flex}$ [Nm]		2595	1455	931	504	276
Geometry						
h_{nom} [mm] ① ②		162 (164)	103	89	81	50
b_{ch} [mm]		54	50	40	38	28.0
h_{ch} [mm]		33	30	25	17.5	15.25
I_y [mm ⁴]	Steel	72079	41827	20570	8547	4060
	NR			19097		
h_{ef} [mm]		155	94	79	76	45
c_{min} [mm]		100	75	50	50	40
* Concrete load capacity has to be verified for each individual case (taking the geometric boundary conditions into account).						
c_{min}	= minimal spacing channel/concrete edge	$N_{Rd,s,l}^0$	= channel lip load capacity (tension)	①	Nominal size and tolerance	
NR	= Stainless steel	$V_{Rd,s,l}^0$	= channel lip load capacity (shear)	②	weld-on I- or T- anchors subject to available stock;	
s_{lb}	= axial spacing for bolts for $N_{Rd,s,l}^0$				for these (h_{nom}) values are in brackets	

HALFEN HTA-CE CAST-IN CHANNELS

HALFEN HS Bolts

HALFEN HS Bolts

Suitable for profile	HTA-CE 72/48				HTA-CE 55/42, 52/34, 54/33, 50/30P, 49/30			
Bolt	HS 72/48				HS 50/30			
Bolt dimensions								
l [mm]	M20	M24	M27	M30	M10	M12	M16	M20
20	-	-	-	-	-	-	-	-
30	-	-	-	-	FV8.8	FV4.6	-	-
40	-	-	-	-	FV8.8	FV4.6 FV8.8	FV4.6 FV8.8	-
45	-	-	-	-	-	FV8.8	-	FV4.6 FV8.8
50	FV4.6	FV4.6 A4-50	-	-	FV8.8	FV4.6 FV8.8 A4-70	FV4.6 A4-70 HCR-50*	-
55	-	-	-	-	-	-	-	FV4.6 FA-70
60	FV8.8	-	-	-	-	FV4.6 FV8.8	FV4.6 FV8.8	FV8.8
65	-	-	-	-	-	-	A4-70	-
70	-	-	-	-	-	FV8.8	-	FV4.6 FV8.8
75	FV4.6 GVs8.8	FV4.6 FV8.8	FV4.6	FV4.6	-	-	-	FV4.6 FA-70
80	-	-	-	-	-	FV4.6 FV8.8	FV4.6 FV8.8	FV4.6 FV8.8
100	FV4.6 GVs8.8	FV4.6 GVs8.8 A4-50	FV8.8	FV4.6	-	FV4.6 FV8.8	FV4.6 FV8.8	FV4.6 FV8.8
125	-	-	-	-	-	FV4.6 FV8.8	-	FV4.6 FV8.8
150	FV4.6	FV4.6 GVs8.8	-	FV4.6	-	GVs4.6	FV4.6	FV8.8
175	-	-	-	-	-	-	FA-70 HCR-50*	FA-70
200	FV4.6	FV4.6	-	FV4.6	-	GVs4.6	GVs4.6	GVs4.6
250	-	-	-	-	-	-	-	-
300	-	-	-	-	-	-	GVs4.6	-

Material types: see page 9-10 *on request ⓘ Other bolt lengths and materials on request!

HALFEN HTA-CE CAST-IN CHANNELS

HALFEN HS Bolts

Suitable for profile	HTA-CE 40/22P, 40/25			HTA-CE 38/17			HTA-CE 28/15				
Bolt	HS 40/22			HS 38/17			HS 28/15				
Bolt dimensions											
	l [mm]	M10	M12	M16	M10	M12	M16	M6	M8	M10	M12
20	FV4.6	-	-	-	-	-	-	-	-	-	-
30	FV4.6	FV4.6	-	FV4.6	FV4.6	-	-	-	-	FV4.6	-
	FV8.8	FV8.8	-	GVs4.6	GVs4.6	GVs4.6	GVs4.6	GVs4.6	GVs4.6	GVs4.6	GVs4.6
40	-	-	-	-	-	-	-	-	-	-	-
	A4-70	A4-70	-	A4-70	A4-70	-	-	-	A4-70	A4-70	-
	FV4.6	FV4.6	FV4.6	-	-	FV4.6	-	-	-	FV8.8	-
45	FV8.8	FV8.8	FV8.8	-	-	-	-	-	-	GVs4.6	-
	-	-	-	GVs4.6	GVs4.6	GVs4.6	GVs4.6	GVs4.6	GVs4.6	GVs4.6	-
	A4-70	A4-70	A4-70	-	A4-70	-	-	-	-	A4-70	-
50	-	-	-	-	-	-	-	-	-	-	-
	FV4.6	FV4.6	FV4.6	FV4.6	FV4.6	FV4.6	-	-	-	FV4.6	-
	-	FV8.8	FV8.8	GVs4.6	GVs4.6	GVs4.6	-	GVs4.6	-	GVs4.6	GVs4.6
55	A4-70	A4-70	A4-70	-	A4-70	-	-	-	-	A4-50	-
	-	-	-	HCR-50*	-	HCR-50*	-	-	-	HCR-50*	-
	-	-	-	-	-	-	-	-	-	-	-
60	-	-	-	-	-	-	-	-	-	-	-
	FV4.6	FV4.6	FV4.6	-	-	-	-	-	-	-	-
	FV8.8	FV8.8	FV8.8	GVs4.6	GVs4.6	GVs4.6	-	GVs4.6	GVs4.6	GVs4.6	-
65	-	-	-	-	-	-	-	-	-	-	-
	-	-	-	-	-	-	-	-	-	-	-
	-	-	A4-70	-	A4-70	-	-	-	-	A4-70*	-
70	-	-	-	-	-	-	-	-	-	-	-
	-	-	-	-	-	FV8.8	-	-	-	-	-
	-	-	-	-	-	-	-	-	-	-	-
75	-	-	-	-	-	-	-	-	-	-	-
	-	-	-	-	-	-	-	-	-	-	-
	-	-	-	-	-	-	-	-	-	-	-
80	-	-	-	-	-	-	-	-	-	-	-
	FV4.6	FV4.6	FV4.6	-	-	FV4.6	-	-	-	-	-
	-	FV8.8	FV8.8	GVs4.6	GVs4.6	GVs4.6	-	GVs4.6	GVs4.6	GVs4.6	GVs4.6
100	-	-	-	-	-	-	-	-	-	-	-
	-	-	-	-	-	-	-	-	-	-	-
	FV4.6	FV4.6	FV4.6	GVs4.6	GVs4.6	GVs4.6	-	GVs4.6	GVs4.6	GVs4.6	-
125	-	-	-	-	-	-	-	-	-	-	-
	-	-	-	-	-	-	-	-	-	-	-
	FV4.6	FV4.6	FV4.6	-	-	-	-	-	-	GVs4.6	-
150	-	-	-	-	-	-	-	-	-	-	-
	-	GVs4.6	-	GVs4.6	GVs4.6	GVs4.6	-	GVs4.6	GVs4.6	GVs4.6	-
	-	-	-	-	-	-	-	-	-	A4-50*	-
200	-	-	-	-	-	-	-	-	-	-	-
	-	-	-	-	-	-	-	-	-	-	-
	-	-	-	-	-	-	-	-	-	-	-
250	-	-	-	-	-	-	-	-	-	-	-
	-	-	-	-	-	-	-	-	-	-	-
	-	-	GVs4.6	-	-	-	-	-	-	GVs4.6	-
300	-	-	-	-	-	-	-	-	-	-	-
	-	-	GVs4.6	-	-	-	-	-	-	GVs4.6	-

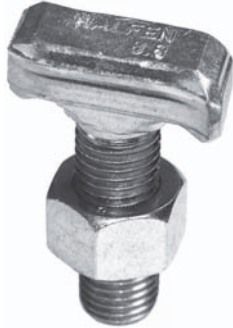
Material types: see page 9-10 *on request ⓘ Other bolt lengths and materials on request!

1 GENERAL INFORMATION
 2 DIMENSIONING
 3 HTA-CE CHANNELS
 4 HZA CHANNELS
 5 HTA-CE/HZA ASSEMBLY
 6 HTU CHANNELS

HALFEN HTA-CE CAST-IN CHANNELS

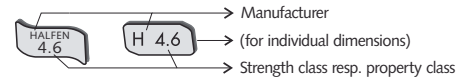
HALFEN HS Bolts

HALFEN Bolts – Type HS

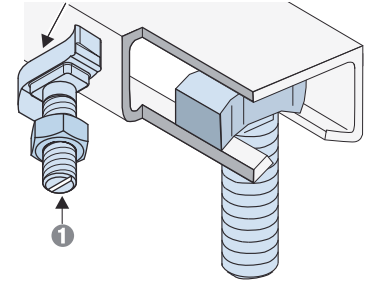


Standard HALFEN Bolts (no nib or serration) for all profile types HTA-CE

- > two direction load capacity
- > identified on bolt tip with 1 notch

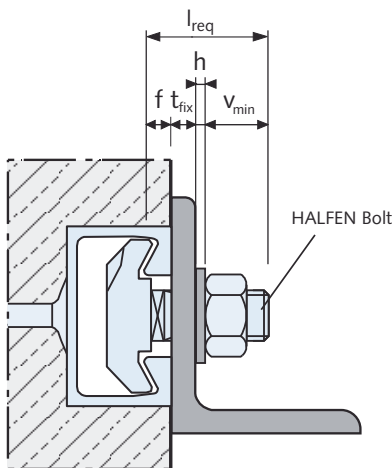


- HALFEN 4.6** Strength class 4.6/8.8 galvanized (GVs) or hot-dip galvanized (FV)
- HALFEN A4-70** Material grade A4-50/A4-70/FA-70 Stainless steel
- HALFEN HCR50** Strength class 50 Stainless steel (1.4529/1.4547)



Calculating the bolt length l_{req} for HALFEN Bolts

$$l_{req} = t_{fix} + f + h + v_{min}$$



Dimensions v_{min}	
Bolt diameter	v_{min} [mm]
M6	11.0
M8	12.5
M10	14.5
M12	17.0
M16	20.5
M20	26.0
M24	29.0
M27	31.5
M30	33.5

Lip dimensions f	
Channel profile	f [mm]
28/15	2.3
38/17	3.0
40/22P	6.0
40/25	5.6
49/30	7.4
50/30P	7.9
52/34	10.5
54/33	7.9
55/42	12.9
72/48	15.5

- l_{req} = required bolt length
- t_{fix} = thickness of clamped component
- f = profile lip height
- h = washer thickness
- v_{min} = nut height EN ISO 4032 + overhang approximately 5 mm (\geq M20: 7 mm)

Bolt design values

The table on the right lists the design resistance of HALFEN Bolts with different thread diameters, materials and strength classes.

$N_{Rd,s,s}$ is the resistance against tension loads, $V_{Rd,s,s}$ is the the resistance against shear loads and $M^0_{Rd,s,s}$ is the flexural resistance when subjected to transverse load induced with a lever arm.

Design resistance		M6	M8	M10	M12	M16	M20	M24	M27	M30
4.6	$N_{Rd,s,s}$ [kN]	4.0	7.3	11.6	16.9	31.4	49.0	70.6	91.8	112.2
	$V_{Rd,s,s}$ [kN]	2.9	5.3	8.3	12.1	22.6	35.2	50.7	66.0	80.6
	$M^0_{Rd,s,s}$ [Nm]	3.8	9.0	17.9	31.4	79.8	155.4	268.9	398.7	538.7
8.8	$N_{Rd,s,s}$ [kN]	10.7	19.5	28.6	44.9	83.7	130.7	188.3	244.8	299.2
	$V_{Rd,s,s}$ [kN]	6.4	11.7	17.2	27.0	50.2	78.4	113.0	146.9	179.5
	$M^0_{Rd,s,s}$ [Nm]	9.8	24.0	42.5	83.8	213.1	415.4	718.4	1065.2	1439.4
A4-50	$N_{Rd,s,s}$ [kN]	3.5	6.4	10.1	14.8	27.4	42.8	61.7	80.2	98.1
	$V_{Rd,s,s}$ [kN]	2.5	4.6	7.3	10.6	19.8	30.9	44.5	57.9	70.7
	$M^0_{Rd,s,s}$ [Nm]	3.2	7.9	15.7	27.5	70.0	136.3	235.8	349.7	472.5
A4-70	$N_{Rd,s,s}$ [kN]	7.5	13.7	21.7	31.6	58.8	91.7	132.1	171.8	210.0
	$V_{Rd,s,s}$ [kN]	5.4	9.9	15.6	22.7	42.2	66.0	95.1	123.6	151.0
	$M^0_{Rd,s,s}$ [Nm]	6.9	16.8	33.5	58.8	149.4	291.3	503.7	746.9	1009.2

HALFEN HTA-CE CAST-IN CHANNELS

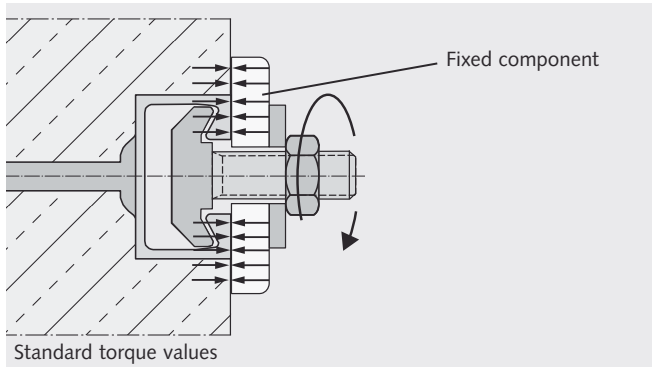
HALFEN HS Bolts

Torque values HS

Standard

Components are braced against the concrete and anchor channel.

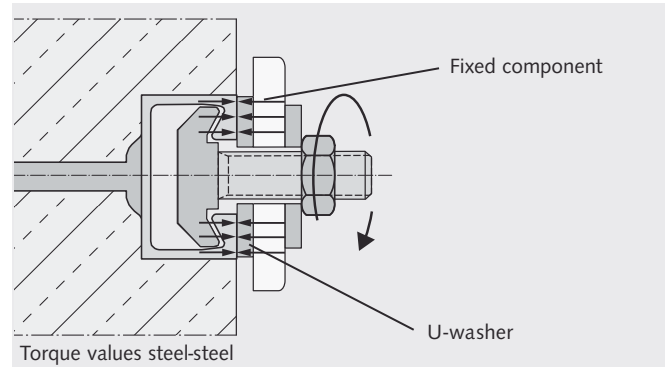
Torque is applied as in the following table and must not be exceeded.



Steel-Steel

Components are braced against the anchor channels using suitable washers.

Torque is applied as in the following table and must not be exceeded.



Standard: Recommended torque values T_{inst}

HTA-CE Profile	HALFEN Bolt HS...M [mm]	Torque value T_{inst} [Nm]	
		Steel 4.6; 8.8	Stainless steel Strength class 50 Strength class 70
28/15	6	3	
	8	8	
	10	13	
	12	15	
38/17	10	15	
	12	25	
	16	40	
40/22P 40/25	10	15	
	12	25	
	16	45	
49/30 50/30P	10	15	
	12	25	
	16	60	
	20	75	
52/34 54/33	10	15	
	12	25	
	16	60	
	20	120	
55/42	10	15	
	12	25	
	16	60	
	20	120	
72/48	20	120	
	24	200	
	27	300	
	30	380	

Steel-Steel: Recommended torque values T_{inst}

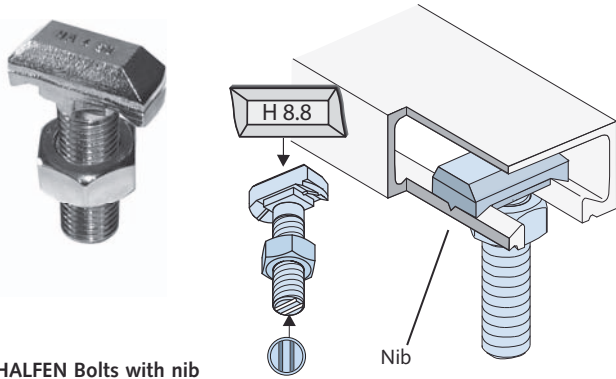
HTA-CE Profile	HALFEN Bolt HS...M [mm]	Torque value T_{inst} [Nm]			
		Steel 4.6	Steel 8.8	Stainless steel Strength class 50	Stainless steel Strength class 70
28/15	6	3	-	3	-
	8	8	20	8	15
	10	15	40	15	30
	12	25	70	25	50
38/17	10	15	40	15	30
	12	25	70	25	50
	16	65	180	60	130
40/22P 40/25	10	15	40	15	30
	12	25	70	25	50
	16	65	180	60	130
49/30 50/30P	10	15	40	15	30
	12	25	70	25	50
	16	65	180	60	130
	20	130	360	120	250
52/34 54/33	10	15	40	15	30
	12	25	70	25	50
	16	65	180	60	130
	20	130	360	120	250
55/42	10	15	40	15	30
	12	25	70	25	50
	16	65	180	60	130
	20	130	360	120	250
72/48	20	130	360	120	250
	24	230	620	200	440
	27	340	900	300	650
	30	460	1200	400	850

⚠ Torque values apply only to bolts in delivery condition (unlubricated).

HALFEN HTA-CE CAST-IN CHANNELS

HALFEN HSR Bolts with nib

HALFEN Bolts – Type HSR (not part of the ETA)



HALFEN Bolts with nib

- only for hot-rolled profiles: 40/22P, 50/30P, 52/34, 72/48
- only for carbon steel: WB and FV
- load capacity in all directions
- load capacity in channel longitudinal direction according to expert report
- identification on bolt tip with **2 notches**

Bolt design values HSR

Available HSR				
Suitable for profile	72/48	52/34, 50/30P		40/22P
Bolt	HSR 72/48	HSR 50/30		HSR 40/22
Bolt dimensions				
l [mm]	M20	M16	M20	M16
40	-	FV8.8	-	GVs8.8
45	-	-	GVs8.8	-
60	-	GVs8.8, FV8.8	GVs8.8	GVs8.8, FV8.8
75	FV8.8	GVs8.8	GVs8.8, FV8.8	-
80	-	FV8.8	-	-
100	-	GVs8.8	-	-

GVs = Zinc galvanized with special coating
FV = Hot-dip galvanized

Torque values HSR	
HSR 8.8	Torque values [Nm]
M16	200
M20	400

Load capacity HSR	
Bolt HSR	Grade 8.8 in channel longitudinal direction F_{Rd} [kN]
40/22 - M16	7.0
50/30 - M16	7.0
50/30 - M20	10.5
72/48 - M20	10.5

If loads in the channel's longitudinal direction have to be verified, we recommend using serrated HALFEN HZA Channels with serrated HALFEN HZS Bolts. See pages 27–34.

HALFEN HTA-CE CAST-IN CHANNELS

HTA-CE Dynamic loads/Edge and bolt spacing

Design resistance for $n = 2 \times 10^6$ load cycles

Profile HTA-CE	Type	$\Delta N_{Rd,s,0,n}$	Allowable bolts	Material
40/22P	FV	2.94	M12	8.8
			M16	4.6 / 8.8
50/30P	FV	3.6	M16	4.6 / 8.8
			M20	4.6 / 8.8
52/34	FV	4.9	M16	8.8
			M20	8.8

Example (also see diagram to the right):

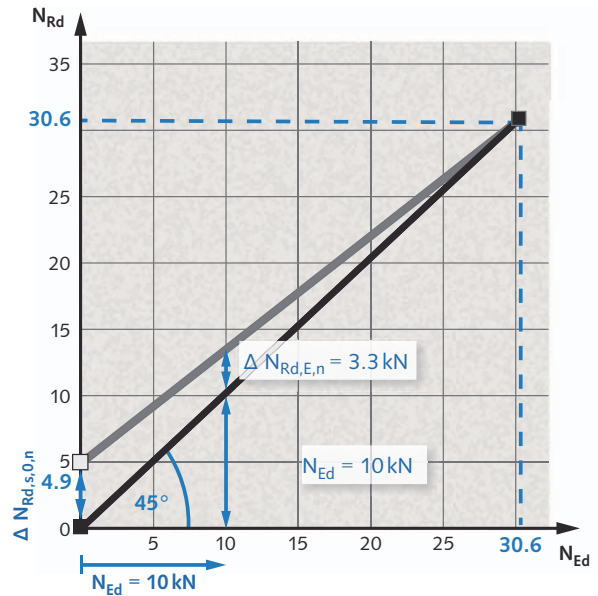
Profile HTA-CE 52/34 - FV (standard, hot-dip galvanized), for $n = 2 \times 10^6$ load cycles:

$$N_{Rd} = 55 \div 1.8 = 30.6 \text{ (taken from the ETA)}$$

N_{Ed} from permanent load = 10 kN (assumption)

$$\Delta N_{Rd,E,n} = (30.6 - 10) \times 4.9/30.6 = 3.3 \text{ kN}$$

Diagram: HTA-CE 52/34 - FV for $n = 2 \times 10^6$ load cycles



Minimum edge distances and minimum bolt spacing

Anchors must be installed at a minimum distance from the component edges.

The distance depends on the selected channel profile.

According to the ETA, the spacing between bolts s_{cbo} must not be less than $5 \times d_s$.

Reduction of the load bearing capacity is required if $s_{cbo} < s_{sl,N}^*$ (see table on page 18).

The concrete load-bearing capacity must be verified for each individual case using the HALFEN Software!

* $s_{sl,N}$ = centre distance of the bolts subject to $N_{Rd,s,l}$
See tables pages 18-19

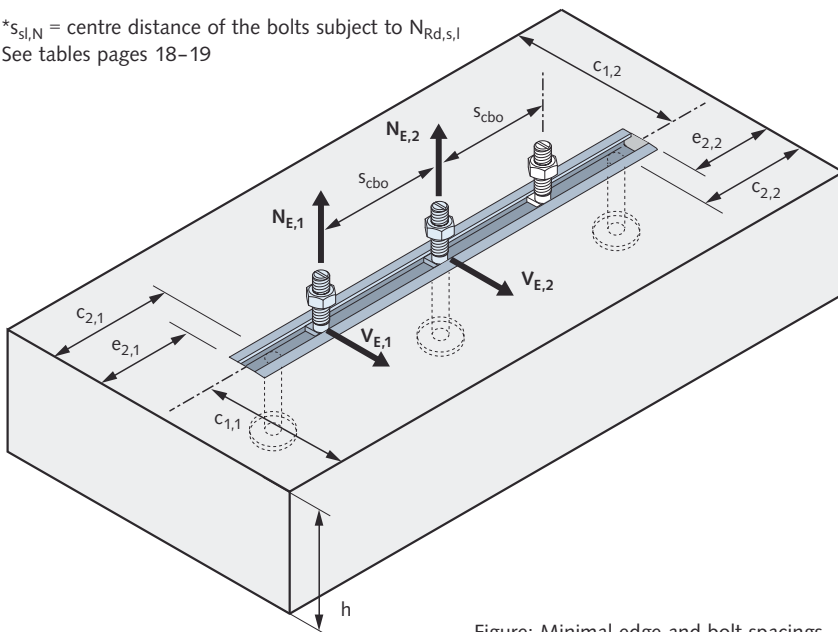


Figure: Minimal edge and bolt spacings

Edge and bolt spacing [mm]

HTA-CE Profiles	M	$s_{s,min}$	c_{min}	e_{min}
28/15	6	30	40	15
	8	40	40	15
	10	50	40	15
38/17	10	50	50	25
	12	60	50	25
40/25 40/22P	10	50	50	25
	12	60	50	25
	16	80	50	25
49/30	10	50	75	50
	12	60	75	50
	16	80	75	50
50/30P	20	100	75	50
	10	50	75	40
	12	60	75	40
52/34 54/33	16	80	75	40
	20	100	75	40
	10	50	100	65
55/42	12	60	100	65
	16	80	100	65
	20	100	100	65
72/48	20	100	150	115
	24	120	150	115
	27	135	150	115
	30	150	150	115

HALFEN HTA-CE CAST-IN CHANNELS

HTA-CE standard lengths/HTA-CS – Curved Solution

HTA-CE Standard lengths

Our standard lengths are optimized lengths to avoid cut-offs. We provide these lengths with order numbers in our current price list.

We deliver HALFEN HTA-CE Cast-in channels in any length from 100 mm to 6070 mm. Please contact us at info.au@leviat.com or see the back inside cover of this catalogue for additional contact information.



The calculation program for HALFEN Cast-in channels according to the ETA is a convenient and very powerful calculation tool for any channel length, and condition. Free download at www.ancon.com.au ► [downloads](#) ► [design-software](#) ► [halfen-software](#)

① Does not apply to HTA-CE 52/34, HTA-CE 54/33
 ② Does not apply to HTA-CE 40/22P - A4

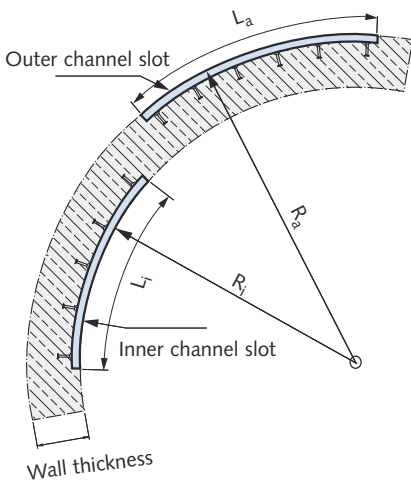
HTA-CE standard lengths and number of anchors

Length [mm] / Number of anchors				
HTA-CE 72/48	HTA-CE 55/42	HTA-CE 40/25, 50/30P, 49/30, 52/34, 54/33	HTA-CE 40/22P	HTA-CE 28/15, 38/17
150/2	150/2	150/2	150/2	100/2
200/2	200/2	200/2	200/2	150/2
250/2	250/2	250/2	250/2	200/2
300/2	300/2	300/2	300/2	250/2
350/3	350/3	350/3	350/3	300/3
400/3	400/3	400/3	400/3	350/3
550/3	550/3	550/3	550/3	450/3
1050/5	1050/5	800/4	800/4 ^②	550/4
6070/25	6070/25	1050/5	1050/5	850/5
-	-	3030/13 ^①	1300/6 ^②	1050/6
-	-	6070/25	1550/7 ^②	3030/16
-	-	-	1800/8 ^②	6070/31
-	-	-	2050/9 ^②	-
-	-	-	2300/10 ^②	-
-	-	-	2550/11 ^②	-
-	-	-	3030/13 ^②	-
-	-	-	6070/25	-
Anchor spacing ≤ 250mm			Anchor spacing ≤ 200mm	

HALFEN HTA-CS Channels – Curved Solution

Areas of application:

- tunnel construction
- precast elements for utility tunnels
- curved walls
- sewage plants



R_i = Radius of inner channel slot
 R_a = Radius of outer channel slot
 L = Length of channel after bending (maximum 5400 mm)



Curved HALFEN Cast-in channels in tunnel segments

Ordering example:

HALFEN Cast-in channel, curved
 HTA-CS 52/34-Q - A4, $R_i = 4000$ mm, $L = 1050$ mm

HTA-CS Smallest radius [m]*										
Profile	Material	HTA-CS 72/48	HTA-CS 54/33	HTA-CS 52/34	HTA-CS 50/30P	HTA-CS 49/30	HTA-CS 40/22P	HTA-CS 40/25	HTA-CS 38/17	HTA-CS 28/15
Inner channel slot:	□	on request	0.80 m	0.75 m	on request	0.80 m	on request	1.10 m	0.70 m	0.75 m
	■	on request	0.80 m	0.80 m	on request	0.80 m	on request	0.90 m	0.70 m	0.75 m
Outer channel slot:	□	on request	4.00 m	3.60 m	on request	3.00 m	on request	2.20 m	3.20 m	2.00 m
	■	on request	4.00 m	3.60 m	on request	5.70 m	on request	1.70 m	5.40 m	7.80 m

□ hot-dip galvanized ■ stainless A4

* please contact our technical support team for more detailed information

HALFEN HZA CAST-IN CHANNELS, serrated

The benefits at a glance

In addition to their excellent adjustability, HALFEN Cast-in channels save considerable installation time. The result – faster construction and therefore increased cost savings. .



 serrated
  3D-Loads
 

European Technical Assessment
ETA-20/1081

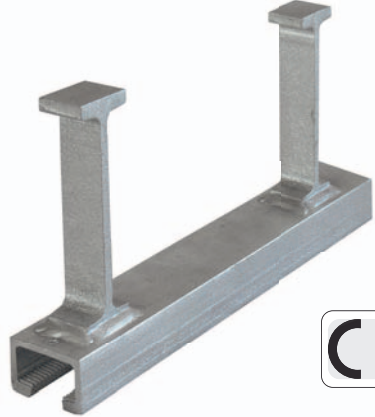
HZA HALFEN Cast-in channels, cold-rolled, serrated


Safe and reliable

- › no damage to the main reinforcement
- › suitable for installation in concrete pressure and concrete tensile zones
- › hot-rolled channels, suitable for dynamic loads
- › European Technical Assessment (ETA)
- › suitable for use in earthquake safety design
- › complies with AS 5216:2021



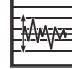

Quick and economical

- › adjustable anchorage
- › bolts instead of welding
- › maximum efficiency when installing in rows
- › cost-effective installation using standard tools
- › optimized pre-planning reduces construction time
- › large range of channels types for various applications
- › user-friendly installation; no noise, dust and vibration





European Technical Assessment
ETA-17/0728

 serrated
  3D-loads
  suitable for dynamic loads
  suitable for seismic loading
  suitable for applications in safety relevant areas in nuclear facilities

HZA-PS HALFEN Cast-in channels, hot-rolled, serrated





European Technical Assessment
ETA-20/1081

 serrated
  3D-loads
  suitable for dynamic loads
  suitable for seismic loading

HZA DYNAGRIP® Cast-in channels, serrated

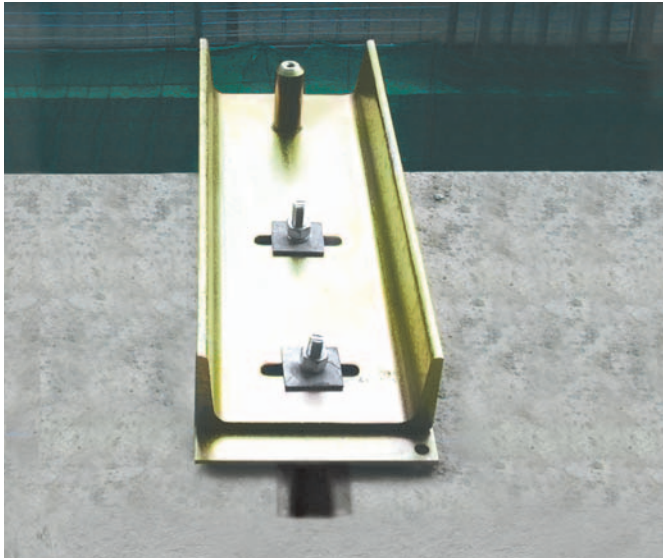
HALFEN HZA-PS CAST-IN CHANNELS

More information on the HALFEN HZA-PS is available at: www.ancon.com.au
Please select the current HALFEN "HZA-PS" catalogue.

HALFEN HZA CAST-IN CHANNELS

Application Examples: Installations with HALFEN HZA Cast-In Channels

CURTAIN WALL



Fixings of a Curtain wall façade, HZA near edge installation

FAÇADES



Fixings for emergency access balconies (Vertical installation of HALFEN Channels)

INDUSTRIAL PLANT INSTALLATIONS



Pipe supports on vertical HZA Channels

SKI LIFT



Fixing of the drive unit for a ski lift

LIFTS / ELEVATORS



Fixing for guide-rails

INDUSTRIAL BUILDING



Vertical channels in columns to attach further components

HALFEN HZA CAST-IN CHANNELS

Product range

Available HZA Channels								
Profile	HZA 64/44 DYNAGRIP®	HZA 53/34 DYNAGRIP®	HZA 41/27 DYNAGRIP®	HZA 38/23 DYNAGRIP®	HZA 29/20 DYNAGRIP®	HZA 41/22		
Geometry HALFEN HZA Channels	hot-rolled						cold-rolled	
Note: Observe the ① installation height h_{nom}								
① Nominal size and tolerance								
Material	Steel	■	■	■	■	■	■	
material description: see page 9-10	A4	■	■	-	■	-	■	
Bolts	HZS 64/44	HZS 53/34	HZS 38/23	HZS 38/23	HZS 29/20	HZS 41/22		
Threads	M20-M24	M16-M20	M12-M16	M12-M16	M12	M12-M16		
$s_{l,N} = s_{l,V}$ [mm]	128	105	80	76	58	83		
Profile load capacity*								
$N^0_{Rd,s,l}$ [kN]	Steel	58.9	45.8	29.8	21.8	12.7	10.1	
	NR	52.4	30.6	-	22.2	-	14.5	
$V^0_{Rd,s,l,y}$ [kN]	Steel	86.8	56.2	29.8	24.4	11.2	10.1	
	NR	52.4	30.6	-	17.4	-	12.6	
$V_{Rd,s,l,x}$ [kN]	Steel	39.7	18.3	10.9(M12) 14.8(M16)	10.9	7.0	6.7	
	NR	38.2	20.5	-	11.5	-	5.6	
$M_{Rd,s,flex}$ [Nm]	Steel	6030	3002	1990	1302	759	637	
	NR	6889	3137	-	1452	-	651	
Geometry								
h_{nom} [mm] ① ②	(187)	161 (165)	155	99	87	85		
b_{ch} [mm]	64.0	52.5	40.0	38.0	29.0	41.3		
h_{ch} [mm]	44.0	34.0	27.0	23.0	20.0	20.7		
I_y [mm ⁴]	240300	92600	39000	21100	10200	12600		
h_{ef} [mm]	178	155	148	82	128	82		
c_{min} [mm]	125	100	75	75	50	50		
* Concrete load capacity has to be verified for each individual case (taking the geometric boundary conditions into account).								
c_{min} = minimal spacing channel/concrete edge	$N^0_{Rd,s,l}$ = channel lip load capacity (tension)					① Nominal size and tolerance		
NR = Stainless steel	$V^0_{Rd,s,l,y}$ = channel lip load capacity (perpendicular shear)					② weld-on I- or T-anchors subject to available stock; for these (h_{nom}) values are in brackets		
s_{slb} = axial spacing for bolts for $N^0_{Rd,s,l}$	$V_{Rd,s,l,x}$ = channel lip load capacity (longitudinal shear)							

■ FV = Steel hot-dip galvanized
1.0038/1.0044

■ A4 =Stainless steel
1.4571/1.4404



All hot-rolled profiles are suitable for dynamic loads

HALFEN HZA CAST-IN CHANNELS

HALFEN HZA Channels: Standard lengths/HALFEN HZA Channels Curved Solution

HALFEN HZA Channels – Standard lengths

Standard lengths* - Length [mm] / Number of anchors

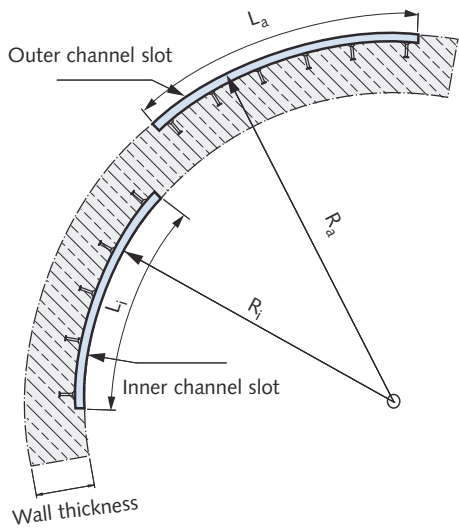
	HZA 64/44; 53/34	HZA-PS 64/44; 53/34	HZA 41/27	HZA 38/23	HZA-PS 38/23	HZA 29/20	HZA-PS 29/20	HZA 41/22
This table lists the standard lengths of cast-in channel in the HALFEN HZA Product range. Our standard lengths are optimized lengths to avoid cut-offs. Order numbers may be found in the current HALFEN price list. Other lengths are available on request. * please contact our technical support for more information	-	-	-	-	-	-	-	100/2
	150/2	-	150/2	150/2	-	150/2	-	150/2
	200/2	200/2	200/2	200/2	200/2	200/2	200/2	200/2
	250/2	-	250/2	250/2	-	250/2	-	250/2
	300/2	-	300/2	300/2	-	300/3	-	300/2
	350/3	350/3	350/3	350/3	350/3	350/3	350/3	350/3
	400/3	-	400/3	400/3	-	400/3	-	400/3
	550/3	550/3	550/3	550/3	550/3	550/4	550/4	550/3
	-	800/4	-	800/4	800/4	-	800/5	-
	1050/5	1050/5	1050/5	1050/5	1050/5	1050/6	1050/6	1050/5
	-	3030/13	-	3030/13	3030/13	3030/16	3030/16	-
	6070/25	6070/25	6070/25	6070/25	6070/25	6070/31	6070/31	6070/25

We deliver HALFEN HZA Cast-in channels in any length from 100 mm to 6070 mm. Please contact us at info.au@leviat.com or see the back inside cover of this catalogue for additional contact information.

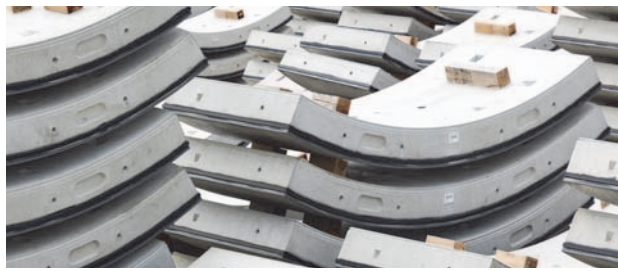


The HALFEN Calculation program for HALFEN Cast-in channels according to the ETA provides the user with a convenient and very powerful calculation tool for any channel length and condition. Free download at www.ancon.com.au ► downloads ► design-software ► halfen-software.

HALFEN HZA Channels curved solution



- Areas of application:**
- tunnel construction
 - reinforced concrete tunnels for utilities
 - curved walls
 - sewage plants



Curved HALFEN Cast-in channels in tunnel segments

Ordering example:
 HALFEN Cast-in channel, curved
 HZA-CS 53/34-Q - A4, $R_i = 4000$ mm, $L = 1050$ mm

		Smallest radius [m]*					
Profile	Material	HZA-CS 64/44	HZA-CS 53/34	HZA-CS 41/27	HZA-CS 38/23	HZA-CS 29/20	HZA-CS 41/22
Inner channel slot:	□	on request	on request	on request	2.60 m	0.85 m	0.70 m
	■	on request	on request	on request	1.20 m	-	0.70 m
Outer channel slot:	□	on request	on request	on request	1.40 m	1.10 m	2.20 m
	■	on request	on request	on request	3.50 m	-	4.80 m

hot-dip galvanized A4 stainless steel * please contact our technical support for more information

R_i = Radius of inner channel slot
 R_a = Radius of outer channel slot
 L = Length of channel after bending (maximum 5400 mm)

HALFEN HZA CAST-IN CHANNELS

HALFEN HZS Bolts

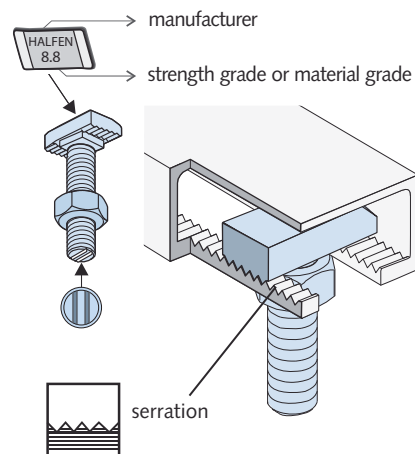
Available HALFEN HZS Bolts



HALFEN Bolt, serrated

➤ The serration also ensures a positive load transmission in the longitudinal channel direction. The danger of bolt slippage is minimized.

➤ The bolt is marked on the shaft end with 2 notches.



HALFEN HZS Bolts									
Bolt	HZS 64/44		HZS 53/34		HZS 38/23		HZS 29/20	HZS 41/22	
Suitable for profile	64/44		53/34		41/27; 38/23		29/20	41/22	
Bolts dimensions									
∅	M20	M24	M16	M20	M12	M16	M12	M12	M16
l [mm]									
30	-	-	-	-	GVs8.8	-	GVs8.8	-	-
35	-	-	-	-	-	-	-	A4-50 FV8.8	-
40	-	-	-	-	GVs8.8	GVs8.8	GVs8.8	-	-
50	-	-	-	-	FV8.8* GVs8.8	GVs8.8	FV8.8* GVs8.8	A4-50 FV8.8	A4-50 FV8.8
60	-	-	A4-70 FV8.8* GVs8.8	-	GVs8.8	A4-70 FV8.8 GVs8.8	GVs8.8	-	-
65	-	-	-	FV8.8* A4-70 GVs8.8	-	-	-	-	-
80	A4-70* FV8.8* GVs8.8*	A4-70* GVs8.8*	FV8.8*	FV8.8*	GVs8.8	A4-70 FV8.8* GVs8.8	GVs8.8	A4-50	-
100	-	FV8.8*	A4-70 FV8.8* GVs8.8	A4-70 GVs8.8	GVs8.8	GVs8.8	-	-	FV8.8
125	A4-70* GVs8.8*	-	-	-	-	-	-	-	-
150	-	A4-70* GVs8.8*	-	-	-	GVs8.8	-	-	-

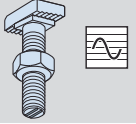
*on request

HALFEN HZA CAST-IN CHANNELS

HALFEN Bolts: Dimensioning

HALFEN HZS Bolts — Load capacity and bending moment

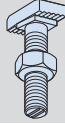
Design resistance HZS with hot-rolled HZA DYNAGRIP® Cast-in channels



DYNAGRIP®
HZA 64/44; HZA 53/34; HZA 41/27;
HZA 38/23; HZA 29/20

Material / Strength class		M 12	M 16	M 20	M 24
8.8	$N_{Rd,s,s}$ [kN]	44.9	83.7	130.7	188.3
	$V_{Rd,s,s}$ [kN]	27.0	50.2	78.4	113.0
	$M^0_{Rd,s,s}$ [Nm]	84.0	212.8	415.2	718.4
A4-70	$N_{Rd,s,s}$ [kN]	31.6	58.8	91.7	132.1
	$V_{Rd,s,s}$ [kN]	22.7	42.2	66.0	95.1
	$M^0_{Rd,s,s}$ [Nm]	59.0	149.4	291.0	503.8

Design resistance HZS with cold-rolled HZA Cast-in channels



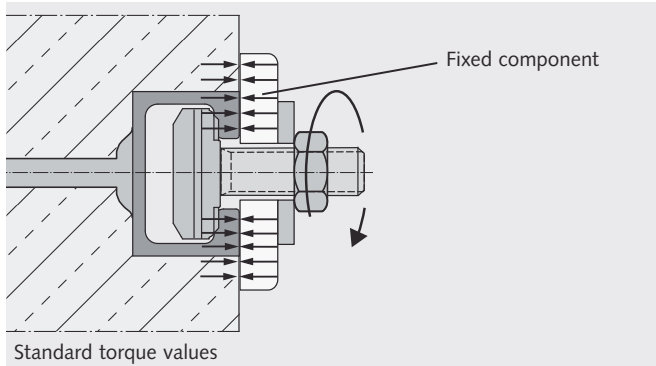
HZA 41/22

Material / Strength class		M 12	M 16
8.8	$N_{Rd,s,s}$ [kN]	32.3	62.2
	$V_{Rd,s,s}$ [kN]	27.0	50.2
	$M^0_{Rd,s,s}$ [Nm]	84.0	208.8
A4-50	$N_{Rd,s,s}$ [kN]	14.1	22.4
	$V_{Rd,s,s}$ [kN]	10.6	19.8
	$M^0_{Rd,s,s}$ [Nm]	27.7	70.2

Torque values for HALFEN HZS Bolts

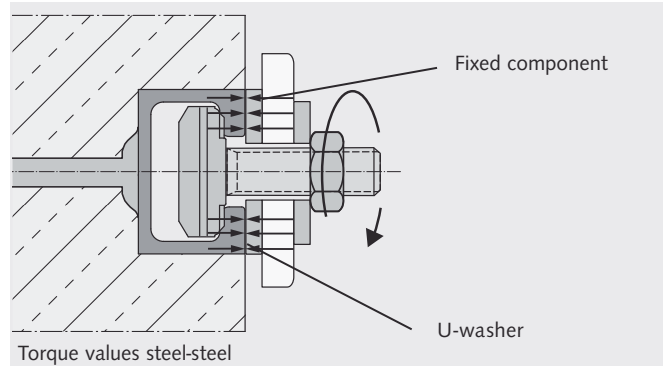
Standard

Components are braced against the concrete and anchor channel.
Torque is applied as in the following table and must not be exceeded.



Steel-Steel

Components are braced against the anchor channels using suitable washers.
Torque is applied as in the following table and must not be exceeded.




Standard: Recommended torque values T_{inst}

HZA Profile	HALFEN Bolt HZS...M [mm]	Torque value T_{inst} [Nm]		
		Steel 8.8	Stainless steel Strength class 50	Stainless steel Strength class 70
41/22	12	30	20	-
	16	40	50	-
29/20	12	35	-	-
38/23	12	55	-	50
	16	75	-	75
41/27	12	75	-	-
	16	125	-	-
53/34	16	135	-	130
	20	165	-	165
64/44	20	315	-	250
	24	375	-	335

Steel-Steel: Recommended torque values T_{inst}

HZA Profile	HALFEN Bolt HZS...M [mm]	Torque value T_{inst} [Nm]		
		Steel 8.8	Stainless steel Strength class 50	Stainless steel Strength class 70
41/22	12	50	20	-
	16	140	50	-
29/20	12	75	-	-
38/23	12	75	-	50
	16	185	-	130
41/27	12	75	-	-
	16	185	-	-
53/34	16	185	-	130
	20	360	-	250
64/44	20	360	-	250
	24	625	-	435

 Torque values apply only for bolts in delivery condition (unlubricated).

HALFEN HZA CAST-IN CHANNELS

Minimum edge distances and minimum bolt spacing

Minimum edge distances and minimum bolt spacing

Anchors must be installed at a minimum distance from the component edges. The distance depends on the selected channel profile. According to the ETA, the spacing between bolts s_{cbo} must not be less than $5 \times d_s$. Reduction of the load bearing capacity is required if $s_{cbo} < s_{sl,N}^*$ (see table on page 29).

The concrete load-bearing capacity must be verified for each individual case using the HALFEN Anchor channel Software!

* $s_{sl,N}$ = centre distance of the bolts subject to $N_{Rd,s,l}$
See tables on page 29

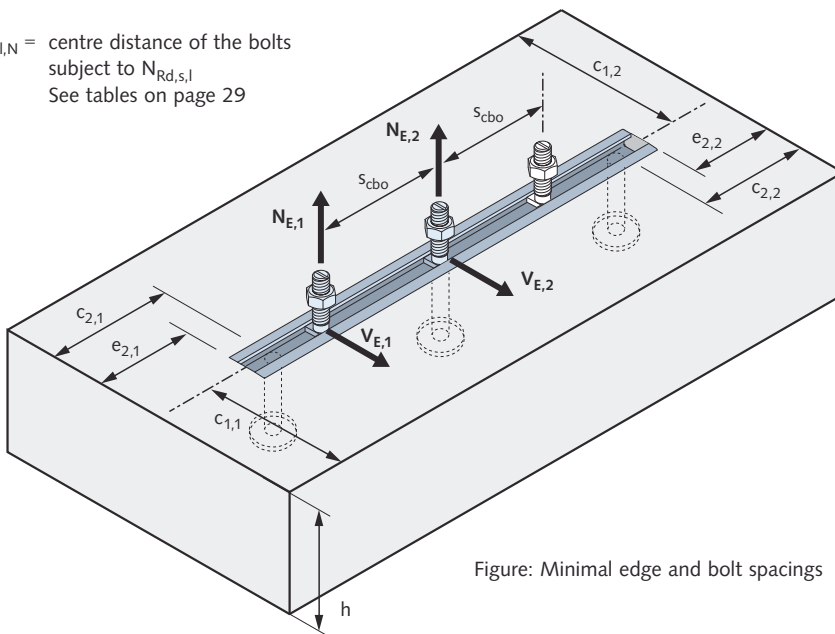
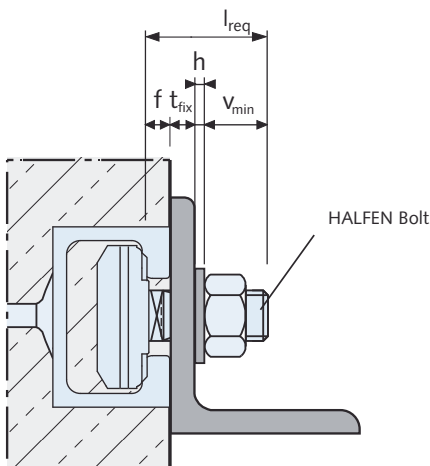


Figure: Minimal edge and bolt spacings

Edge and bolt spacing [mm]				
HZA Profiles	M	$s_{s,min}$	c_{min}	e_{min}
64/44	24	120	125	90
	20	100		
53/34	20	100	100	65
	16	80		
41/27	16	80	75	40
	12	60		
38/23	16	80	75	47
	12	60		
29/20	10	50	50	22
41/22	16	80	50	22
	12	60		

Calculating the bolt length l_{req} for HALFEN HZS Bolts

$$l_{req} = t_{fix} + f + h + v_{min}$$



Dimensions v_{min}	
Bolt diameter	v_{min} [mm]
M6	11.0
M8	12.5
M10	14.5
M12	17.0
M16	20.5
M20	26.0
M24	29.0
M27	31.5
M30	33.5

Lip dimensions f	
Channel profile	f [mm]
64/44	10.0
53/34	7.5
41/27	7.0
38/23	5.5
29/20	5.0
41/22	7.0

- l_{req} = required bolt length
- t_{fix} = thickness of clamped component
- f = profile lip height
- h = washer thickness
- v_{min} = nut height EN ISO 4032 + overhang approximately 5 mm (\geq M20: 7 mm)

HALFEN HTA-CE/HZA CAST-IN CHANNELS

Installation aids/Further channel parts

ANK-E end anchor; for on-site custom cut-length of HALFEN Cast-in channels

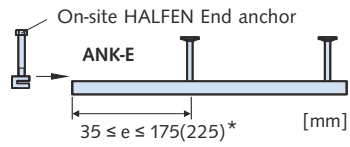
Notes for assembling end anchor, type ANK-E

- Cut the HALFEN Cast-in channel at the selected point. The cut face must be at a right angle to the longitudinal axis of the channel. The end projection "e" should not be less than 35 mm and not more than 175 (225) mm*.
- Select the correct **ANK-E** End anchor for the HALFEN Cast-in channel profile; see table on the right. Slide the clamping element on to the back of the channel. If necessary, push in the foam filler at the end of the channel.
- Tighten the bolt by applying the required torque. See table (right) for correct torque value.

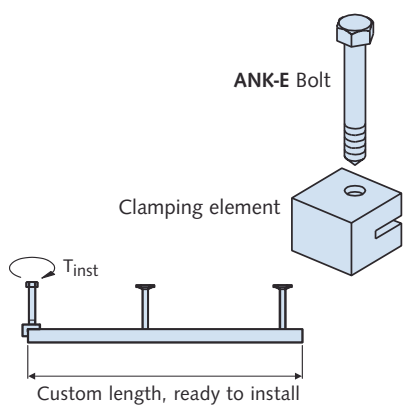
End anchor selection			
for profile	End anchor	Thread	Torque T _{inst} [Nm]
28/15 - FV	ANK-E1 - FV	M8	10
28/15 - A4	ANK-E1 - A4	M8	10
38/17 - FV	ANK-E2 - FV	M10	20
40/25 - FV			
41/22 - FV ①			
38/17 - A4	ANK-E2 - A4	M10	20
40/25 - A4			
41/22 - A4 ①			

① Short HZA 41/22 sections may be used with one end anchor only. Not included in the ETA.

Custom lengths

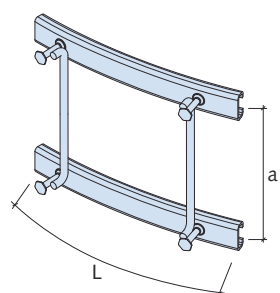


* 175: for 28/15, 38/17
225: for 40/25, 41/22



HALFEN Channel pairs

Material/type:
Channel (Type straight or curved):
FV = Hot-dip galvanized
A4 = Stainless steel
Spacer:
Reinforcement steel B500B or B500B/A NR, Ø 10-16 mm
Recommended for stainless steel type spacers in: B500B/A NR.



Ordering example:
Type: HALFEN Channel pair HTA-CE 38/17
Dimensions: L = 350 mm, a = 200 mm
Material: hot-dip galvanized, with filler
Radius: R_i = ... (for curved type)

HALFEN Corner channel

Material/type:
Channel and anchor:
FV = Hot-dip galvanized
A4 = Stainless steel
Standard type:
a/b = 125/250 mm
Other lengths for a and b and other profiles are available on request

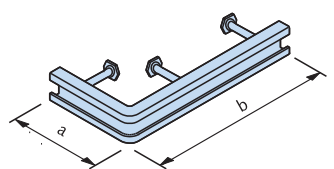


Figure: HTA-CE 38/17 – Corner piece

Area of application:

- fixing for HALFEN Console anchors for supporting brickwork cladding
- other near edge fixings

HALFEN HTA-CE/HZA CAST-IN CHANNELS Installation in pre-stressed concrete

HALFEN Anchor channels, hot-dip galvanized with stainless steel anchors

Requirements

according to EN 1992-1-1/NA
(EC 2 with German National Annex,
2nd edition, 2016, chapter 8.10.1.1)
*"Ensure at least 20mm concrete between
pre-stressed tension strands and galvanized
components."* Otherwise there is a risk of
hydrogen induced cracking.

Solution

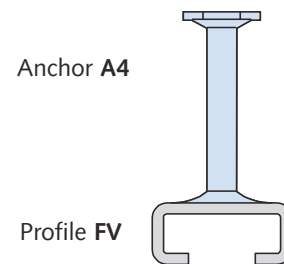
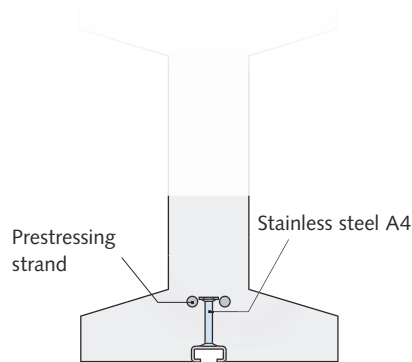
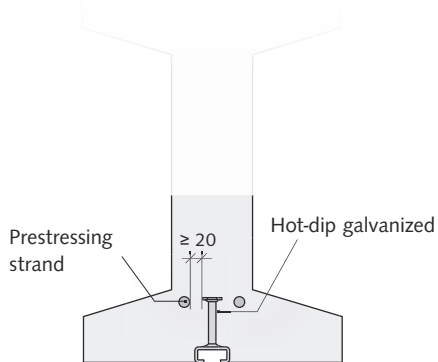
If hot-dip galvanized channels are used
together with stainless steel bolt anchors
then the pre-stressed tension-strands are
allowed to have contact with the stain-
less steel bolt anchor.

Types:

Lengths available:
up to 6.07 m

Available profiles:

- > 50/30P
- > 49/30
- > 40/25
- > 38/17



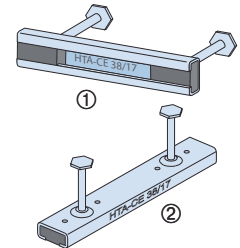
HALFEN HTA-CE/HZA CAST-IN CHANNELS Installation/Assembly

1.1 Delivery and identification

We can supply ready to install short channels and standard lengths.

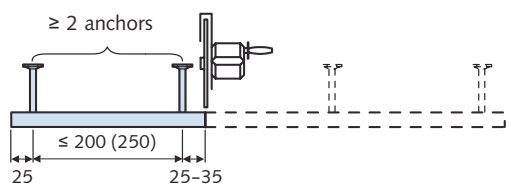
Product identification

- ① inside the channel
- ② also on the channel side



1.2 Installing to formwork

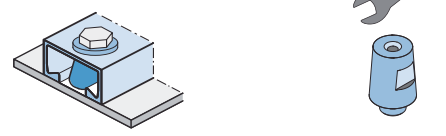
If required, HALFEN Cast-in channels can also be cut to size on site.



2.1 Fixing to the formwork, continued

Steel formwork

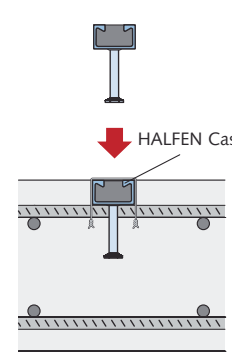
2.1.5 HALFEN HFK Fixing cone



2.2 Top face installation

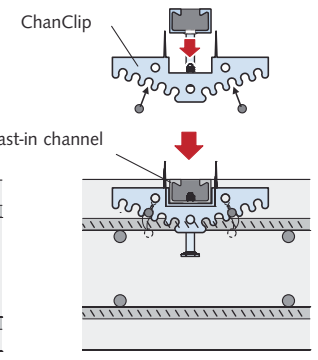
2.2.1

directly to reinforcement:
with tying wire



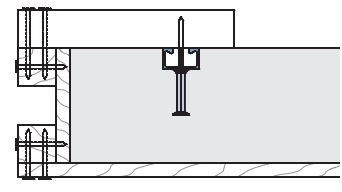
2.2.2

with HALFEN HCP ChanClip



2.2.3

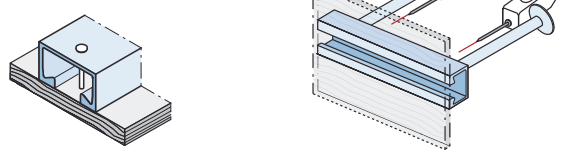
Installation using an auxiliary aid



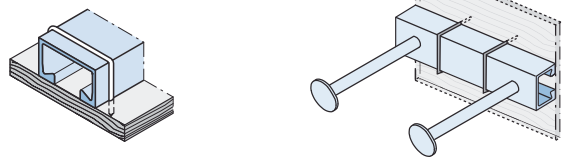
2.1 Fixing to the formwork

Timber formwork

2.1.1 with nails

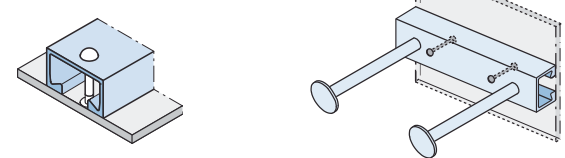


2.1.2 with staples

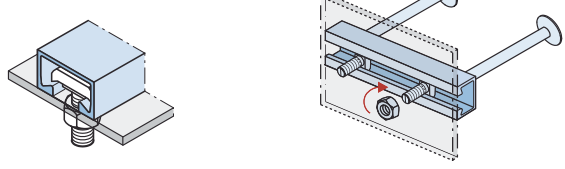


Steel formwork

2.1.3 aluminium rivets



2.1.4 HALFEN Bolt and nut



HALFEN HTA-CE/HZA CAST-IN CHANNELS Installation/Assembly

3.1 Removing the filler

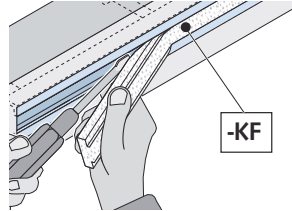
Strip filler, available in two versions:



KF – PE strip filler with reinforcement layer



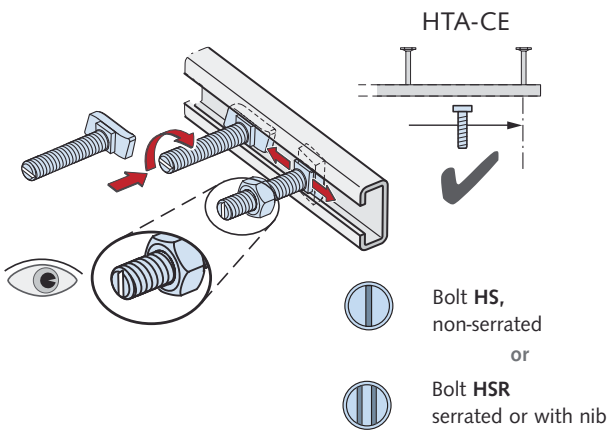
KF – PE strip filler



Removing the strip filler

Grip the strip filler at one end and pull out in one piece by hand; use a tool, e.g. a screwdriver.

4.1 Installing HALFEN Bolts

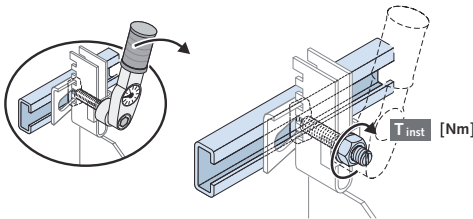


Safe assembly with HALFEN Cast-in channels

HALFEN Bolts can be inserted anywhere in the channel slot, turned 90° and then locked in place by tightening the nut. Do not position bolts at channel ends past the last anchor. On channels with bolt anchors, the anchor locations are visible through the channel slot.

Check

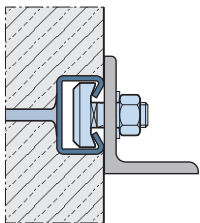
Bolts: After installation check that the bolts are properly aligned; the notch or notches in the tip of the shank must be at right angles to the longitudinal axis of the channel.



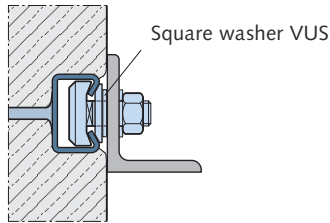
Fixings

The bolt heads must sit flush on both lips of the anchor channel and be secured by tightening the nut with a torque wrench with the required value. Observe the torque values in the tables on page 24 or 32.

Direct attachment ①



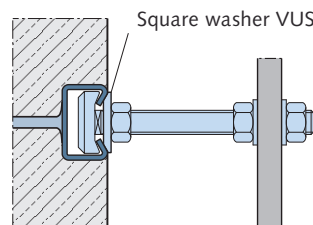
Surface-flush installation



Non-flush installation

- ① If the front surface of the channel is set back from the concrete surface, the attached structure must be shimmed with a washer (VUS). In case of shear stress, add bolt flexure to the tensile force.

Stand-off installation ②



Example:
HALFEN Channel: HTA-CE 49/30
HALFEN Bolt: HS 50/30 - M16
Washer: VUS 49/30 - M16

- ② Always install a square washer for stand-off installations.

Assembly instructions on the internet

Multi-language assembly instructions can be found at www.halfen.com ▷ Brochures ▷ Installation Instructions.

HALFEN HTU-S CAST-IN CHANNEL FOR FIXING PROFILED SHEET METAL

The benefits at a glance

The HALFEN HTU-S Cast-in channel is ideal for fixing all types of profiled sheets – easy and simple with self-drilling screws. Suitable for both shear loads and tension loads.

Thanks to the innovative channel design with its corrugated sides and filler, the new generation of HALFEN HTU Cast-in channel is installed entirely in the required concrete cover. This avoids any problem with the required reinforcement.



HALFEN HTU-S 60 Cast-in channel for fixing profiled sheet metal



HALFEN HTU-S 100 Cast-in channel for fixing profiled sheet metal

Safe and reliable

- › innovative geometry and corrugated edging ensure reliable anchorage
- › polystyrene filler prevents the self-drilling screw from hitting concrete
- › building authority approved
- › the type stamp on the channel back ensures identification after installation

Efficient and economical

- › simple installation in the required concrete cover
- › one channel type irrespective of the reinforcement layout
- › simple installation in the precast plant



Fixing of trapezoidal sheet metal roof element



Façade fixed using HALFEN HTU Cast-in channels (Cologne Bonn Airport)

HALFEN HTU-S CAST-IN CHANNELS

General/product range

The HALFEN Cast-in channel for fixing trapezoidal sheet metal has a U-shaped cross-section with the sides angled outwards. The corrugated sides of the channel provide a positive-lock with the concrete.

Both HTU-S Channel types (60 and 100mm) allow various bolt fixing and layout options. HALFEN HTU-S Cast-in channels are building authority approved.

Approval: DIBt no. Z-21.4-2096



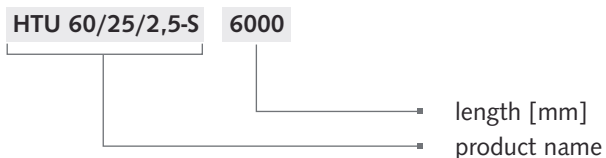
Fixing trapezoidal sheet metal using self-drilling screws

Area of application	Fixing of trapezoidal sheeting or wall-cladding elements using building authority or ETA approved self-drilling screws. Installed flush with the surface of precast concrete elements; concrete strength C25/30 up to C50/60, cracked or non-cracked.
Materials/corrosion protection	HTU Channel made of zinc-plated steel may be installed in environments of C1 to C3 corrosion category acc. to EN ISO 12944-2:2018-04.

Available lengths:

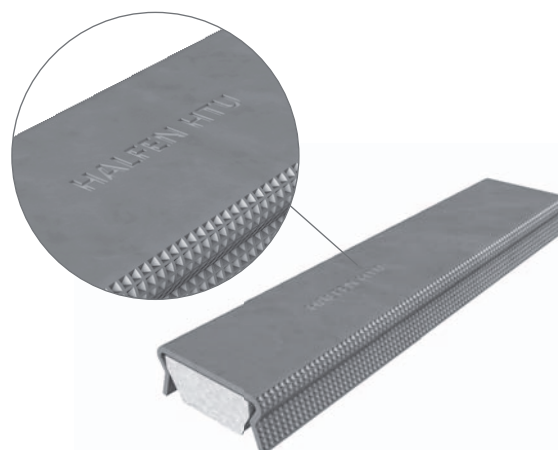
HTU-Channels are available in 3000 or 6000 mm lengths.

Order example HTU-S Channel, width 60 mm :



Identification

Original HALFEN Cast-in channels for fixing trapezoidal sheet metal can be identified by the stamp on the back of the channel displaying the brand name and the product description 'HALFEN HTU'.



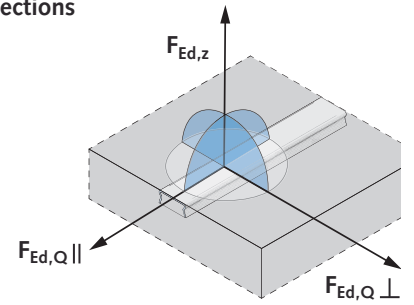
Detailed installation instructions for the self anchoring HALFEN HTU-S Channel can be found at: www.halfen.com ▷ Brochures ▷ Installation Instructions ▷ Fixing systems

HALFEN HTU-S CAST-IN CHANNELS

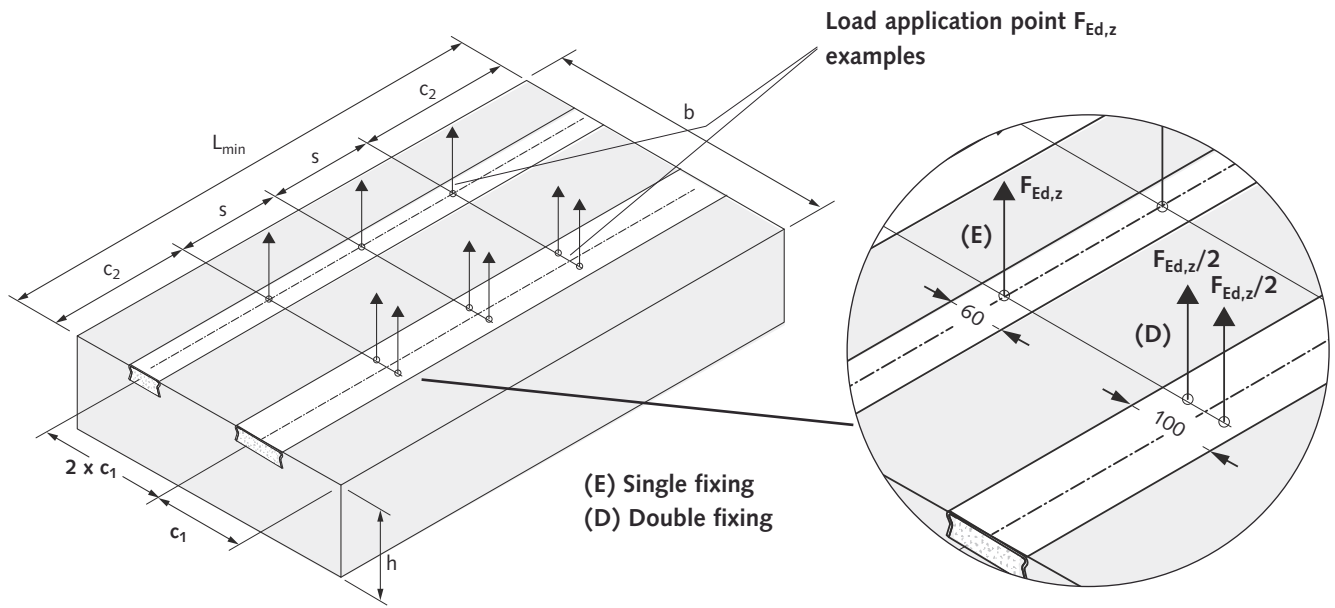
Dimensioning

Anchorage must be planned in accordance with engineering standards. Verification of direct local force transmission from the channel into the concrete has been provided if the approved values are complied with. Connecting accessories must be verified separately. Technical design must comply with building authority approval no. Z-21.4-2096.

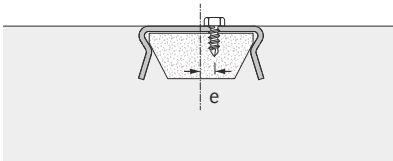
Load directions



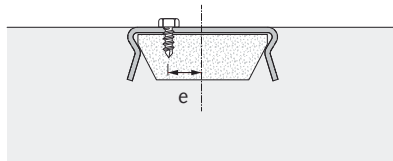
Constructive boundary conditions



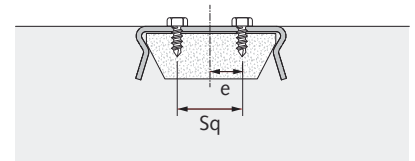
HTU-S 60 ($e_{max} \leq b_{HTU}/6$)



HTU-S 100 (E) ($e_{max} \leq b_{HTU}/6$)



HTU-S 100 (D) ($50 \text{ mm} \leq s_q \leq 70 \text{ mm}$)



Minimum element dimensions, bolt spacings and load resistances for concrete strength class C30/37 to C50/60 ①③

Channel	L_{min} [mm]	(E) Single (D) Double fixing	b_{min} [mm]	h_{min} ④ [mm]	$C_{1,min}$ ④ [mm]	$C_{2,min}$ [mm]	s_{min} [mm]	F_{Rd} ① ② ③ [kN]
HTU 60/25/2,5-S	150	E	$2 \times c_1$	200	90	75	150	3,6
	250	E				125	250	4,9
	310	E				155	310	5,7
HTU 100/25/3-S	150	E	$2 \times c_1$	200	120	75	150	2,4
		D						4,2
	250	E				125	250	3,5
		D				6,0		
	310	E				155	310	4,2
		D				7,1		

① Resistance F_{Rd} applies for all load directions. The permanent load of $F_{Ed,z}$ must be limited to $0.15 \cdot F_{Rd}$.

② For concrete strength class C25/30 the resistances must be reduced with factor 0.91.

③ For concrete strength class > C30/37 the resistance F_{Rd} may be increased by Ψ_c acc. to (annex 5, table 1 and annex 6, table 2)

④ For HTU 60/25/2,5-S lower values are allowed. See approval annex 5, table 1.

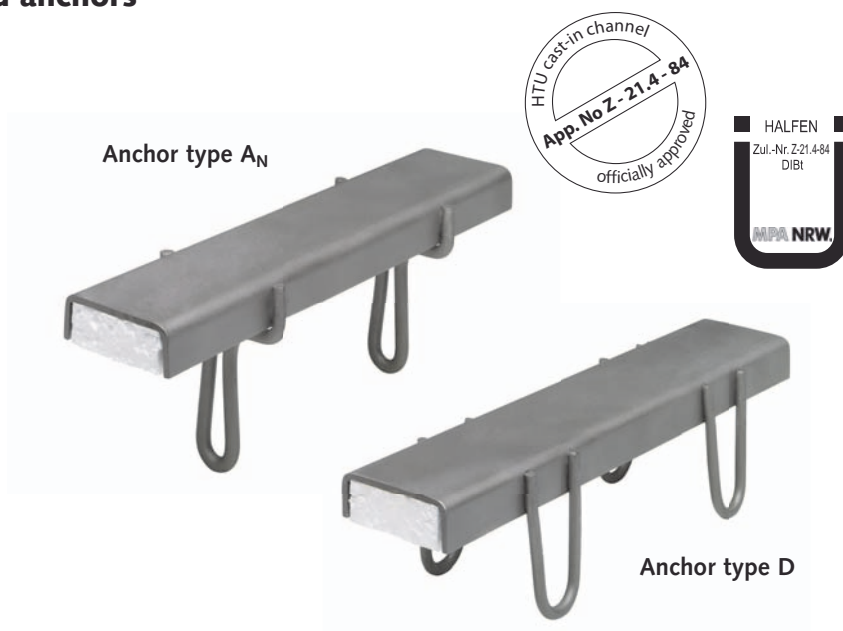
HALFEN HTU CAST-IN CHANNELS

C-shaped channels with welded anchors

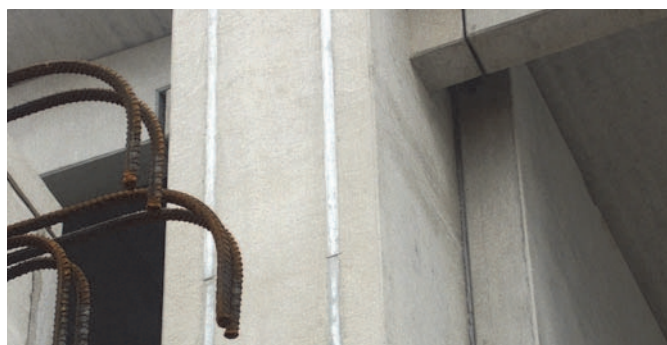
The HALFEN Trapezoidal sheet metal installation channels were developed in cooperation with the Association for the light-weight steel construction industry (IFBS Industrieverband für Bausysteme im Stahlleichtbau).

Made as a C-shaped channel in hot-dip galvanized steel with at least two welded anchors, and approved by the German Institute of Building Technology (DIBt Deutsches Institut für Bautechnik).

Approval: DIBt no. Z-21.4-84



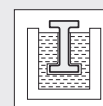
HALFEN HTU Cast-in channels, steel hot-dip galvanized				
		Steel		
		Material	Standard	Zinc coating
	Channel profiles	■ 1.0038	EN 10 025-2	FV: $\geq 50\mu\text{m}$
	Anchor A_N , D			
	Fixing	Fixing of trapezoidal sheet metal or wall-cladding elements using building authority or ETA approved self-drilling screws or metal deck fasteners. Installed flush with the surface of precast concrete elements.		



Vertical HALFEN HTU Cast-in channels for fixing façade panels

Hot-dip galvanized FV:

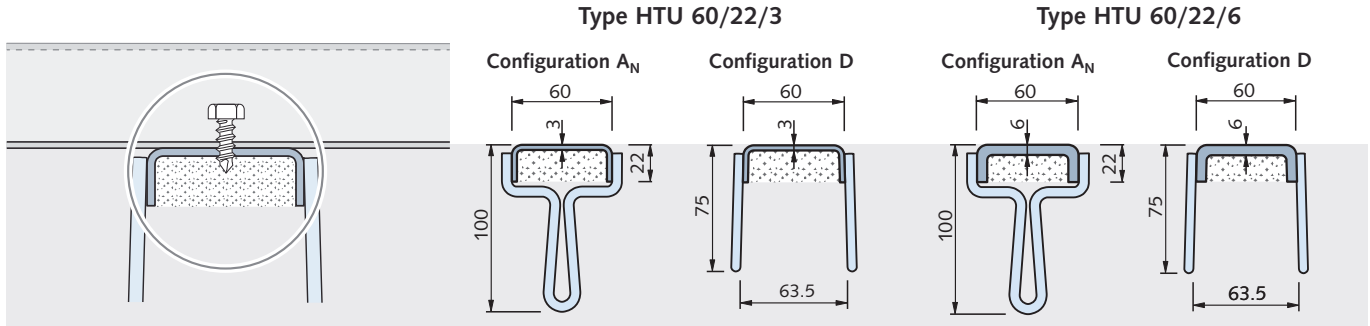
Dipped in a galvanising bath at a temperature of approximately 460° C. This method is used primarily for open-profile channels.



HALFEN HTU CAST-IN CHANNELS

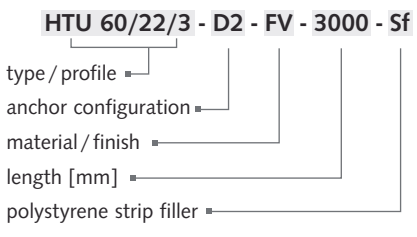
C-shaped channels with welded anchors

Product range



Profile cross-section A	2.81 cm ²		4.94 cm ²	
Moment of inertia I _y / Moment of resistance w _y	1.13 cm ⁴ / 0.71 cm ³		1.84 cm ⁴ / 1.27 cm ³	
Profile weight including anchors	2.49 kg/m	2.50 kg/m	4.25 kg/m	4.26 kg/m

Ordering example:



■ FV = Steel S235JR, hot-dip galvanized

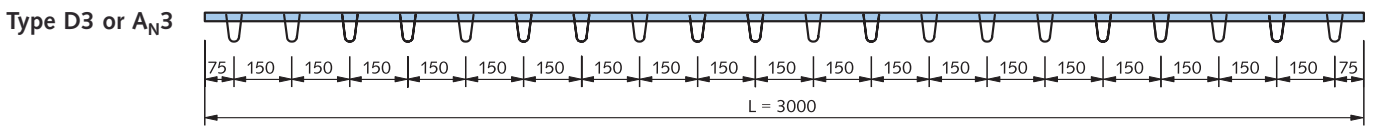
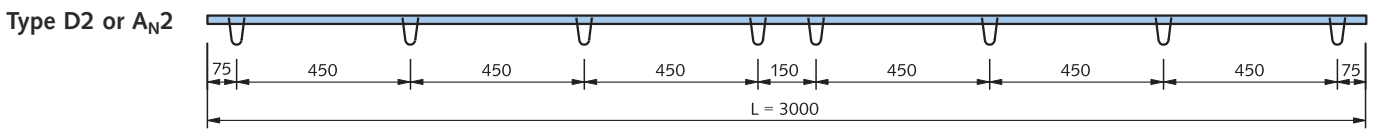
HTU 60/22/3	Number of anchors
■ = hot-dip galvanized	
HTU 60/22/3 - AN2 - FV - 3000 - Sf	8
HTU 60/22/3 - D2 - FV - 3000 - Sf	8
HTU 60/22/3 - AN3 - FV - 3000 - Sf	20
HTU 60/22/3 - D3 - FV - 3000 - Sf	20

Connecting element example HTU 3mm material steel ETA 10/0200:
 Self-drilling screws 6.3x19
 e.g. JT2-6-6,3-19-xE16 with sealing disc.
 Connecting element is exposed to weather:
 JT3-6-6.3x25-E16 (Wall) or JZ3-6-6.3x25-E22 (Roof)

HTU 60/22/6	Number of anchors
■ = hot-dip galvanized	
HTU 60/22/6 - A _N 2 - FV - 3000 - Sf	8
HTU 60/22/6 - D2 - FV - 3000 - Sf	8
HTU 60/22/6 - A _N 3 - FV - 3000 - Sf	20
HTU 60/22/6 - D3 - FV - 3000 - Sf	20

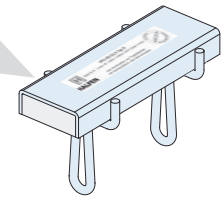
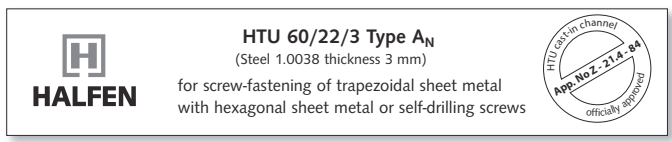
Connecting element example HTU 6mm material steel ETA 10/0200:
 Self-drilling screws 6.3x22
 e.g. JT2-6-6,3-x22-V16 with sealing disc or cartridge fired nails.
 Connecting element is exposed to weather: see screw, or nail approval.

Anchor spacing:



Identification HTU

A yellow identification label is fixed to the back of each channel.



Dimensions in [mm]

HALFEN HTU CAST-IN CHANNELS

C-shaped channels with welded anchors

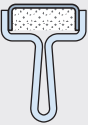
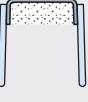
Table 1 Maximum design load-carrying capacity F_{Ed}

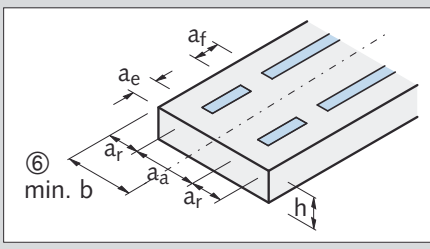
Profile HTU	Anchor spacing s [mm]	max. F_{Ed} [kN]		max. F_{Ed} [kN]		max. evenly distributed load q_{Ed} [kN/m]		
60 / 22 / 3	450	p = s	4.6	p = s/2	3.5	15.5		
	150					46.6		
60 / 22 / 6	450					7.0	3.5	15.5
	150					7.0		46.6

$$F_{Ed} = \sqrt{N_{Ed}^2 + F_{xEd}^2 + F_{yEd}^2} < F_{Rd}$$

Concrete \geq C20/25

Table 2 Minimum distance when exploiting maximum load as in table 1

Profile HTU	Minimum interaxial spacing and edge distance					
	a_a ① [mm]	a_r ② [mm]	a_e ③ [mm]	a_f ④ [mm]	h ⑤ [mm]	b ⑥ [mm]
 Type A _N	200	100	20	20	100 + nom c	200
 Type D	200	100	20	20	75 + nom c	200



- ① If the (trapezoidal sheet metal) channels are placed so that the anchors of adjacent channels are offset by at least 200 mm, the axial spacing a_a may be reduced to 80 mm.
- ② If not exploiting the maximum load capacity F_{Ed} , see table above, the edge distance a_r may be reduced. This applies only for central tensile stress N_{Ed} .

$$a_{r \text{ red.}} = \frac{\text{actual } N_{Ed}}{\text{max. } F_{Ed}} \times a_r \geq 50 \text{ mm}$$

actual N_{Ed} = design rating of actual load
 max. F_{Ed} = maximum load as in the table above

The edge distances must not be reduced if transverse stress (V_{xEd} , V_{yEd}) is present.
- ③ With full exploitation of maximum load F_{Ed} as in the table above, the last anchor must be at least 100 mm from the component edge.
- ④ When fully exploiting maximum load capacity F_{Ed} , see table above, the "last anchors" of adjacent channels must be at least 150 mm apart.
- ⑤ Depends on the anchor's size and the required concrete cover.
- ⑥ Minimum width of building component for a one channel layout.

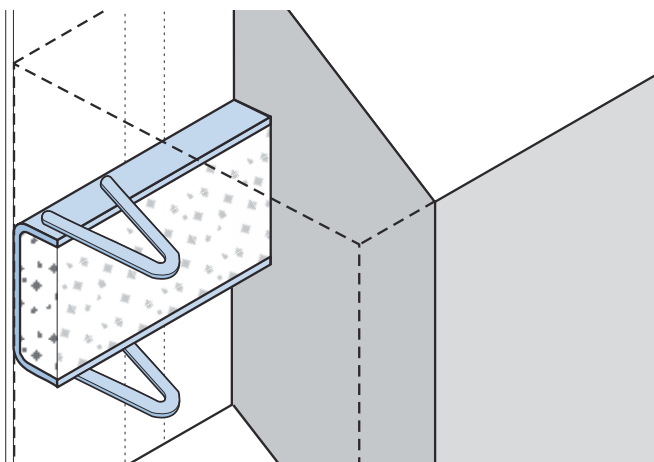
HALFEN HTU CAST-IN CHANNELS

C-shaped channels with welded anchors

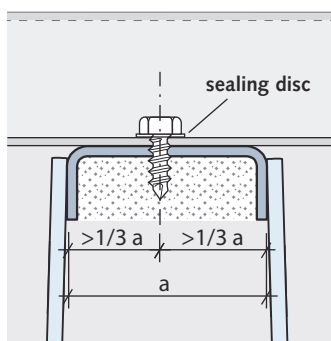
Installation

The ready-to-install HTU Channel is embedded flush with the final concrete surface. It is advisable to level the concrete surface and to apply a slight slope to the outer edge of the concrete. This is to ensure that the trapezoidal sheet metal rests only on the HTU Channel. According to German approval a heightened installation of up to 5 mm is also possible.

Trapezoidal sheet metal fixing in wall applications



Screw placement

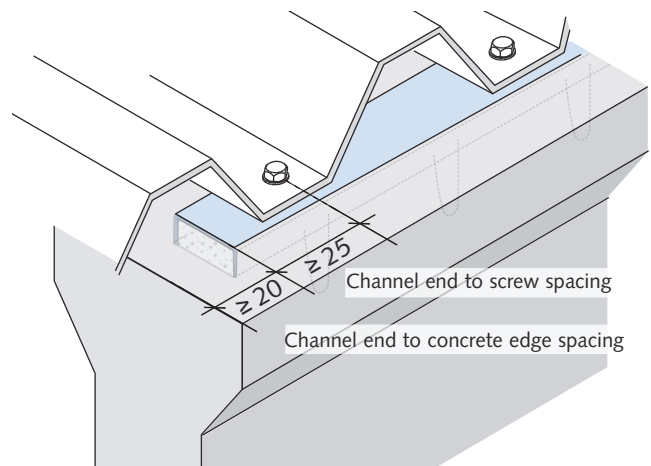


Assembly (with self-drilling screw)

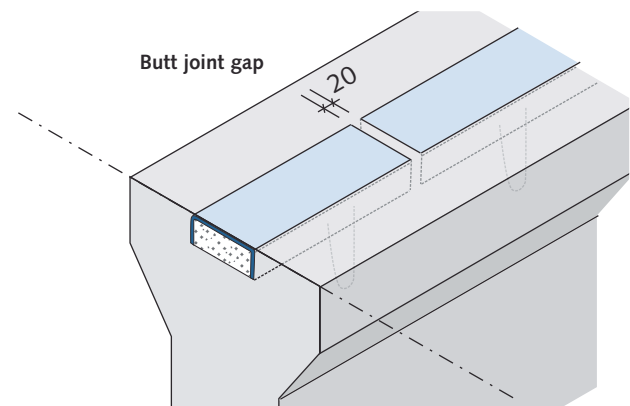
- use a power-driver to fix the self-drilling screw; a pilot hole is not required. Even 4-fold overlapping at joints is not a problem with self-drilling screws
- the recommended engine speed and socket size must be observed; See product data sheet of the self-drilling screws

Alternatively, if the trapezoidal sheet metal manufacturer requires a minimal support width larger than 60 mm, this can be achieved through a flush channel installation and a flat concrete surface. Ensure that pre-stressed concrete trusses are properly aligned, centred and absolutely plane. Maintaining a 20 mm gap between individual channel ends is recommended.

Trapezoidal sheet metal fixing in roof applications



Recommended butt joint gap between two channels

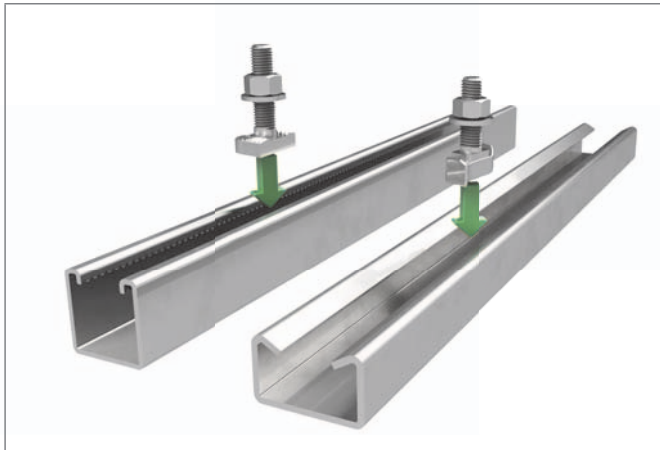


- suitable tools for various screws can be obtained from the screw supplier
- the trapezoidal sheet metal must be attached in the central third of the channel back; Screws must be positioned at a minimum distance of 25 mm from the channel ends

FRAMING CHANNELS

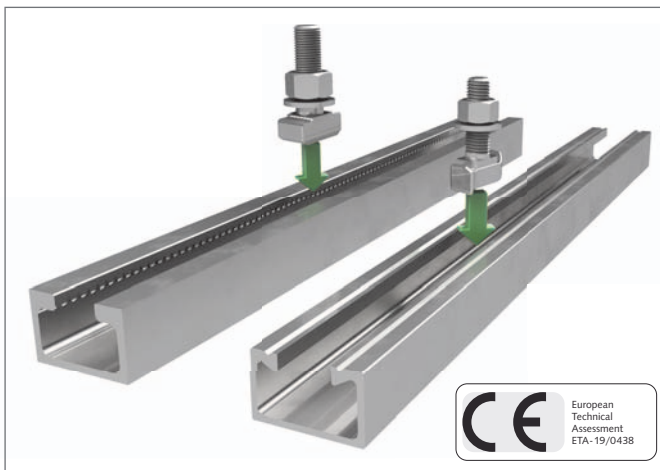
The benefits at a glance

To complement the product range we have a wide range of framing channels with accessories. We can supply everything you need for your project; everything from one source.



HALFEN HM/HZM Framing channel, cold-rolled

HALFEN Framing channels, used in combination with matching HALFEN Bolts (or threaded plates) have all the benefits needed for versatile bolt and frame constructions.

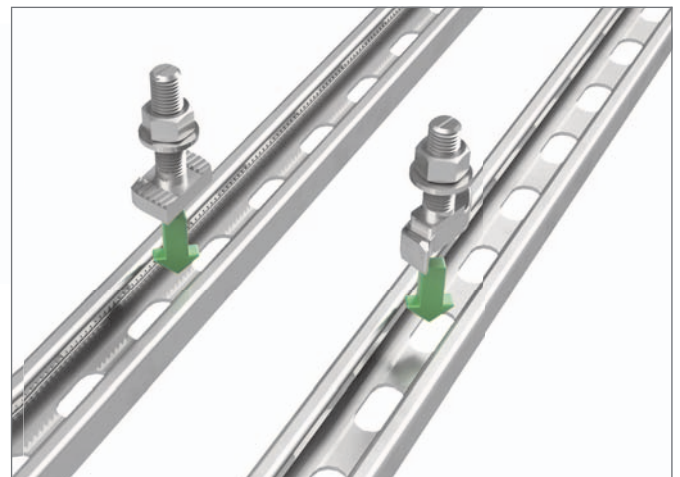


HALFEN HM/HZM Framing channel, hot-rolled

The HALFEN Framing channels range includes hot and cold-rolled channel profiles with standard or serrated channel lips.

Quick and economical

- › full flexibility in positioning and dimensioning of the bolt connection
- › quick installation and adjustability of plant equipment or building components
- › dirt and noise free on-site modifications
- › innovative modular assembly system; numerous complementary accessories available
- › no more welding in hazardous environments
- › bolted connections do not damage the corrosion protection of plant components



HALFEN HL/HZL Slotted channels

HALFEN Framing channels are available, mill-finished, hot-dip galvanized or in stainless steel materials; slotted or non-slotted.



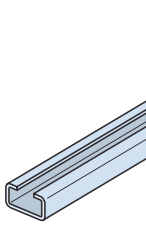
The complete, available product range for industrial application can be found at www.halfen.com in the technical product information catalogues; MT-FBC (Flexible bolt connections) or MT-FFC (Flexible framing connections).

FRAMING CHANNELS

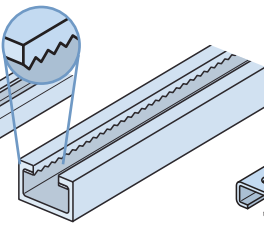
Framing Channels HM/HZM/HL/HZL – Application Examples

Type Overview

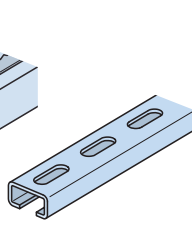
Framing channel



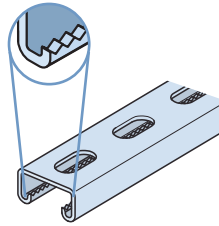
HM 28/15

Framing channel
serrated

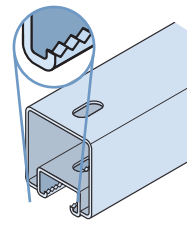
HZM 38/23

Slotted
framing channel

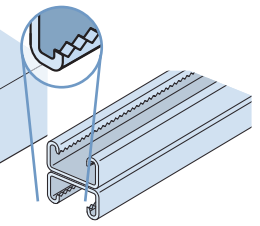
HL 28/15

Slotted
framing channel
serrated

HZL 41/22

Slotted
framing channel
serrated

HZL 63/63

Double channel
serrated

HZM 41/22D

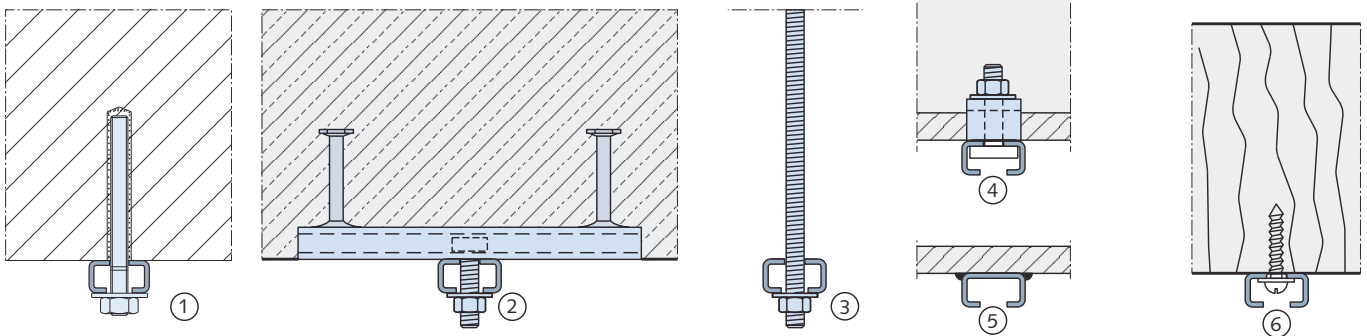
Application Examples

HALFEN Framing channels HM/HZM and slotted HALFEN Framing channels HL/HZL can be attached to a supporting structure using various methods:

- ① fastened to concrete or masonry with HB-VMU plus wedge anchors
- ② bolted to HALFEN HTA-CE and HZA Cast-in channels
- ③ connected to threaded rods
- ④ clamped to steel profile supports
- ⑤ welded to steel components
- ⑥ screwed or nailed to wood structures

HALFEN Framing channels are a part of the HALFEN Framing system:

- installations for plant engineering
- technical equipment in buildings
- heavy and light installations



Typical application of the HALFEN Powerclick system

The HALFEN Framing system product range can be found in the following catalogues:
HALFEN Flexible bolt connections,
HALFEN Flexible framing connections
HALFEN Powerclick System.



FRAMING CHANNELS

Framing Channels HM/HZM/HL/HZL — Type Overview

Heavy Duty Framing System														
Hot-rolled				Cold-rolled			Hot-rolled	Cold-rolled		Hot-rolled, serrated				
HM 72/48	HM 55/42	HM 52/34	HM 50/30	HM 49/30	HM / HL 50/40	HM 486	HM 40/22	HM 40/25	HM 422	HZM 64/44	HZM 53/34	HZM 41/27	HZM 38/23	HZM 29/20
HS / HSR 72/48, GWP 72/48	HS 50/30	HS / HSR 50/30, GWP 50/30	HS 50/30, GWP 50/30 or GWP 50/40			HS / HSR 40/22, GWP 40/22		HZS 64/44	HZS 53/34	HZS 38/23	HZS 38/23, HS 38/17	HZS 29/20, HS 28/15		

Medium Duty Framing System						
Cold-rolled				Cold-rolled, serrated		
HM / HL 41/83	HM / HL 41/62	HM / HL 41/41	HM / HL 41/22	HZL 63/63	HZM / HZL 41/41	HZM / HZL 41/22
<p>HZS/HS 41/41, HZS 41/22 GWP 41/41, GWP 41/22</p>						

Light Duty Framing System					
Cold-rolled				Cold-rolled	
HM 36/36, HL 36/36	HM 38/17	HM 28/28, HL 28/28	HM 28/15, HL 28/15	HM 315	HM 20/12, HL 20/12
HS 38/17, GWP 38/17	HS 28/15, GWP 28/15		GWP 28/15		HS 20/12, GWP 20/12

Materials/Finish:

- FV Steel hot-dip galvanized or WB steel mill finished
- SV Steel, sendzimir galvanized
- A4 Stainless steel 1.4571/1.4404
- A2 Stainless steel 1.4307 (on request)
- HCR Stainless steel 1.4547/1.4529 (on request)

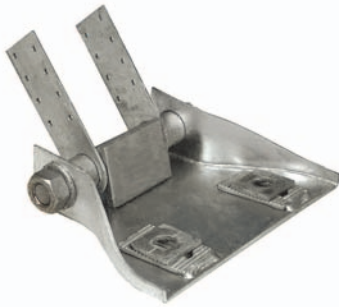
For information on materials → see page 9–10

HZM/HZL serrated profiles

ROOF AND WALLS

The right solution for each application

The efficient and established installation systems for timber roof structures, masonry restraints and connectors for concrete façades are proven practical solutions for the construction industry, greatly improving construction time with significant cost-saving.



HALFEN HSF Rafter shoe

Suitable for horizontal forces acting on rafter and collar beam roofs.



HALFEN HNA Timber fixing strap

Suitable for all acting loads e.g. wind loads in roof structures.



HALFEN HKZ or SPV Restraint ties

For connection of tension and compression loads from concrete walls elements.



HALFEN ML and BL Brick tie anchor system

For connection of brickwork to concrete walls and columns or steel elements.



HALFEN HVL-M Precast connection
with HALFEN HVL-E Cast-in channel

Suitable for horizontal loads in concrete wall elements (loads perpendicular to the bracket).



HALFEN HKW Corner guard

Wall and column corner protector; application in industry and multi-storey car parks.

ROOF AND WALLS

Application Examples



HALFEN HSF Rafter shoe 6/12



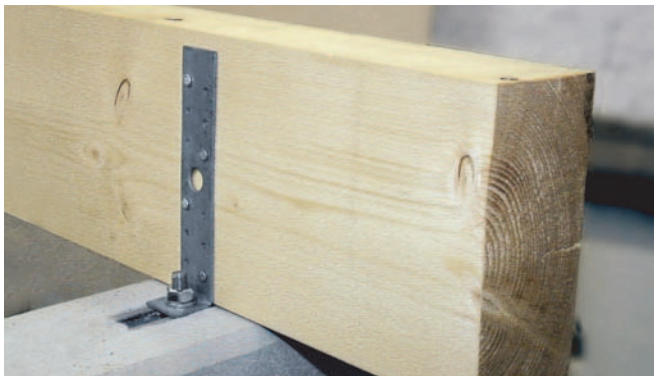
HALFEN HKZ Restraint tie with serrated washer



Airbus paintshop with HALFEN HVL Restraint tie



HVL-System in precast building components



Connecting construction timbers to concrete using HALFEN HNA



Timber roof construction with HALFEN HNA Fixing straps



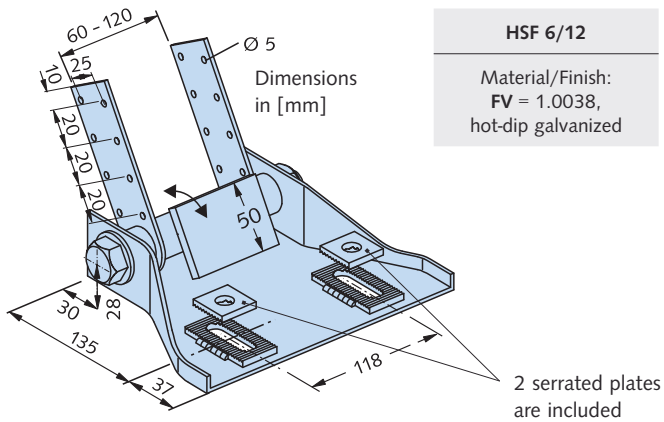
Corner guards in an industrial environment



HALFEN ML Brick-tie anchor system

ROOF AND WALLS

HALFEN HSF Rafter Shoe

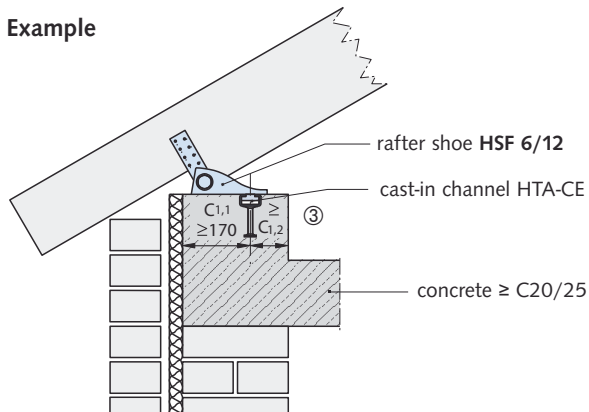


In modern wood constructions, HSF 6/12 rafter shoes are used to support the horizontal forces in rafter and collar tie roofs.

The advantages at a glance:

- minimal planning; simply specify the profile and position of the HALFEN Cast-in channels in the concrete element
- clearly defined statics with flexible rafter shoes
- complex and therefore costly support structures are not necessary
- simple and straightforward roof construction:
 - a) adjustable support plate
 - b) adjustable nailing brackets for vertical anchorage for various rafter widths from 60 to 120 mm
 - c) adjustable in longitudinal rafter axis ± 15 mm
- freely adjustable rafter spacings in the longitudinal axis of the HALFEN Channel without additional measures
- hot-dip galvanized for excellent corrosion protection

Example



Definition $c_{1,1}$ and $c_{1,2}$ see page 25

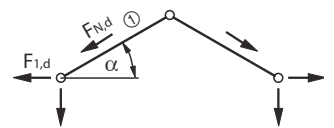
Design values F_{Rd}			
Load F_{Rd}	Required HALFEN Cast-in channel	Min. edge distance ②	Required HALFEN Bolt
[kN/Rafter]	Type	$C_{1,2}$ [mm]	Type dimensions
12.6	HTA-CE 38/17	75	HS 38/17 - M16 × 40
16.8	HTA-CE 40/22 P HTA-CE 40/25	100	HS 40/22 - M16 × 50
19.6	HTA-CE 50/30 P HTA-CE 49/30	150	HS 50/30 - M16 × 50

The horizontal forces are transferred into the main concrete structure using (ETA) European Technical approved HALFEN HTA-CE Cast-in channels.

During assembly ensure that the serration in the counter plates engages in the base plate. The marking on the counter plates must be at right angles to the slot in the base plate.

Rafter roof static system:

$$F_{1,d} < F_{Rd}$$



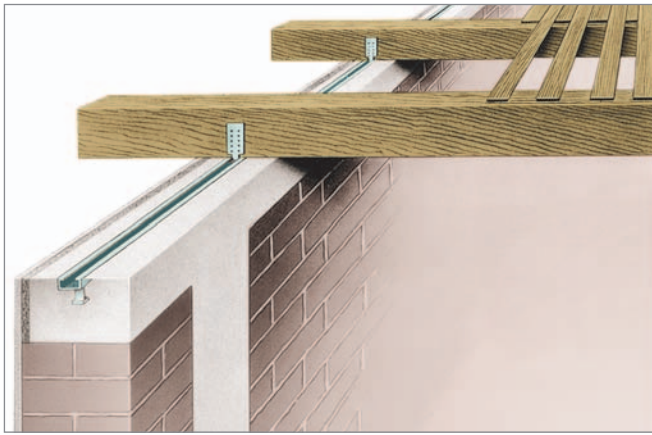
① The maximum rafter strength is limited by the design load of each individual component in the rafter shoe. Load tests resulted in a mean breaking load of 50 kN. With normal loads larger than the recommended load capacity (= about 1/3 of the breaking load), the rafter spacing will need to be reduced.

② If lower loads are present, then the minimum edge distance $C_{1,2}$ for the HALFEN Cast-in channels can be reduced. The distance to the concrete edge must be at least 170 mm.

③ Make sure that the HALFEN Cast-in channels are installed flush with the concrete surface. Use spacers if necessary.

ROOF AND WALLS

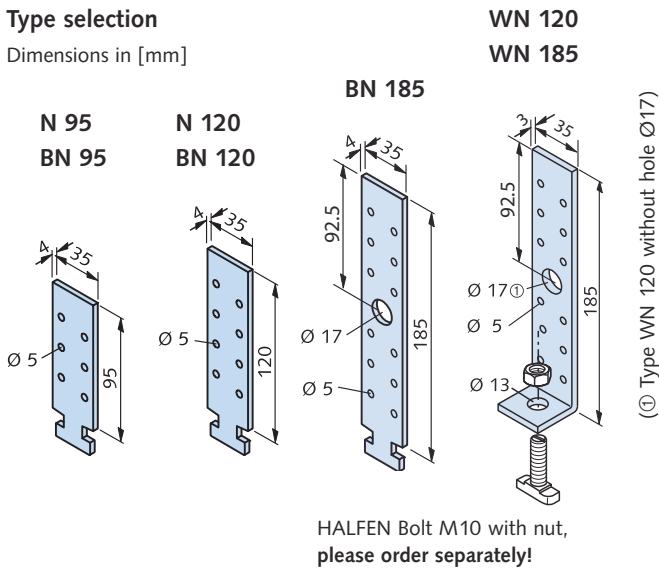
HALFEN HNA Timber Fixing Strap



Typical installation of timber beams using HNA nailing straps with HALFEN Cast-in channels embedded in concrete.

Type selection

Dimensions in [mm]



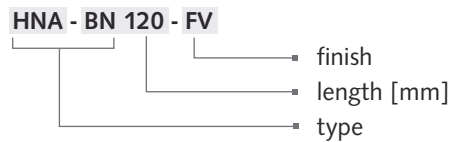
To provide an optimal base for roof framework, continuous HALFEN HTA-CE Cast-in channels or HALFEN HTA-CE Cast-in channel short elements are cast in the concrete; suitable for concrete ring beams or slabs. The type of HALFEN HTA-CE Cast-in channels, nailing straps and nails depend on the assumed loads (ex. wind force).

For calculation and design criteria see:

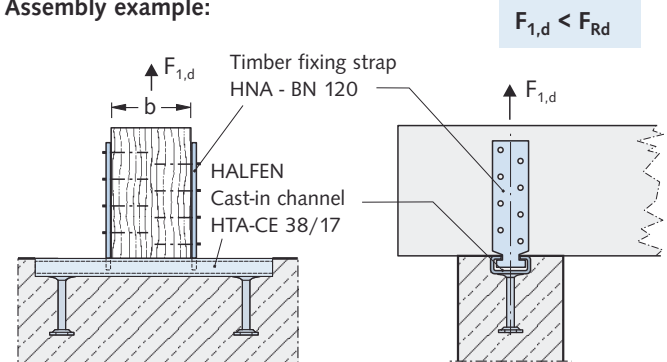
- EN 1991-1-4 (EC1) and EN 1991-1-4/NA
- EN 1995-1-1 (EC5)

The timber fixing straps can be positioned on one or both sides of the timber beams or rafters. Refer to the following table for F_{Rd} load capacities. The beams/framework must be secured against twisting when straps are used only on one side of the beams, (example by nailing to the upper wood roof boarding).

Ordering example:



Assembly example:



Type selection, timber fixing straps						
Suitable for HALFEN Cast-in channel:	Material/Finish FV = 1.0038, hot-dip galvanized	Design value for load capacity F_{Rd} [kN] for each beam attachment			Attaching timber fixing straps to wooden beams/rafters	
	Item name: Length [mm]	Position of timber fixing straps			Wire nails	Anchor nails
		Single-sided	Double-sided			
			for $b \geq 60$ mm	$b \geq 100$ mm		
HTA-CE 28/15 hot-dip galvanized (FV)	HNA - N 95 - FV	4.2	4.9	5.6	according to EN 10230-1	according to the manufacturer's technical approval
	HNA - N 120 - FV					
	HNA - WN 120 - FV	1.4	2.8	2.8		
	HNA - WN 185 - FV					
HTA-CE 38/17 hot-dip galvanized (FV)	HNA - BN 95 - FV	6.3	7.5	8.4		
	HNA - BN 120 - FV					
	HNA - BN 185 - FV	1.4	2.8	2.8		
	HNA - WN 120 - FV					
HNA - WN 185 - FV						

ROOF AND WALLS Brick Tie Anchor Systems ML + BL

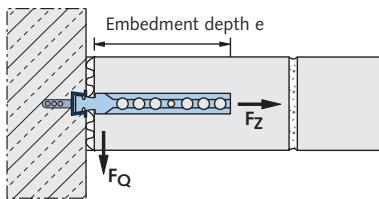
HALFEN Brick tie systems are economic and proven fixing systems using HALFEN ML Brick ties for fixing brickwork, in-fill panels, partition walls, cladding panels (with or without air gap or thermal insulation) to steel or

timber structures or concrete walls and columns. **The brick ties are able to move vertically in the wall connector channels, greatly reducing movement cracks in the brickwork.**

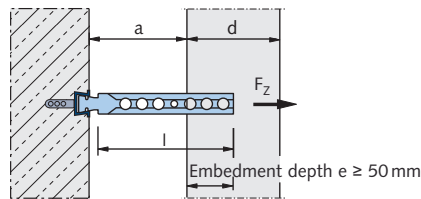
All HTA-CE and HMS profiles have a foam filling to prevent concrete ingress. The channels are attached to the formwork using standard nails.

The HALFEN Brick tie anchors are inserted at the recommended intervals (static requirements) in the brick wall during construction. The anchors are inserted in the brick tie channels, turned 90°, laid flat between the rows of brick and pressed into the mortar. The perforations in the anchors optimise anchorage with the mortar.

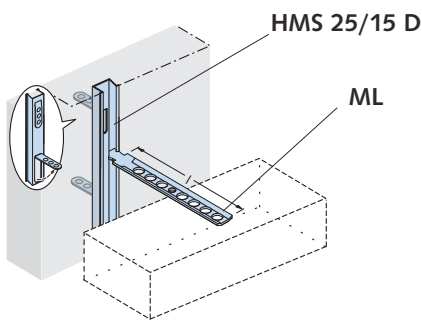
Wall connection



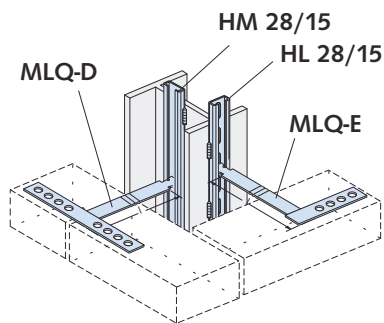
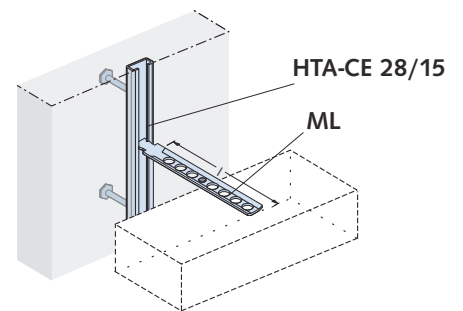
Facing brickwork connection



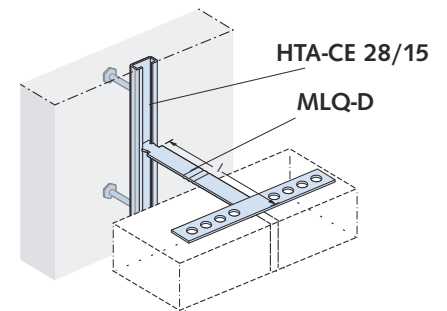
ML Brick ties in combination with HALFEN Channels HMS, HTA, HM and HL



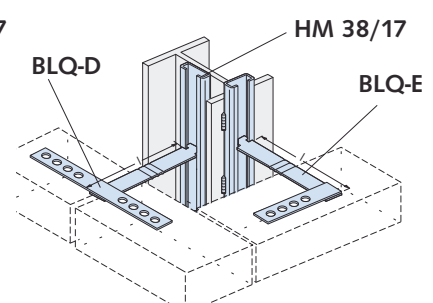
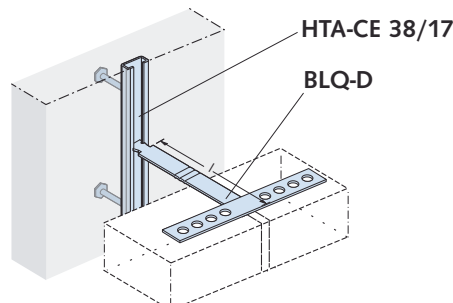
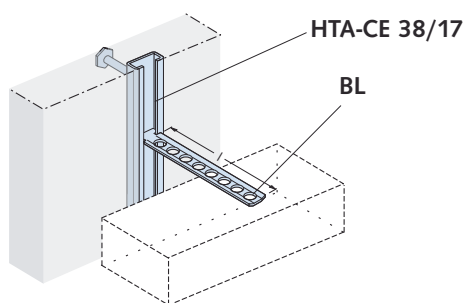
The pre-punched anchors in the HMS Channels are bent out by hand every 250 mm on-site to ensure safe anchorage in the concrete.



HM 28/15 welded to steel column. HL 28/15 can be alternatively bolted with dowels to concrete.



BL Brick tie in combination with HALFEN Channel type HTA 38/17 and HM 38/17



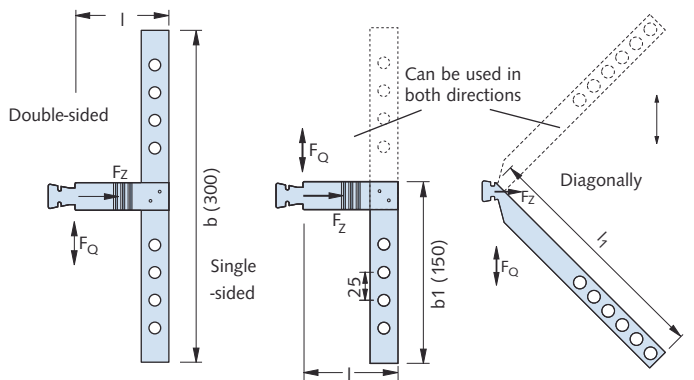
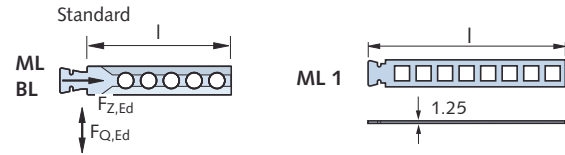
ROOF AND WALLS

Brick Tie Anchor Systems ML + BL

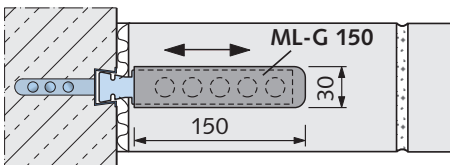
Allowable wall spacing a			
Connection two-leaf masonry	Length l (l ₁) [mm]	Spacing a [mm]	d [mm]
	85	20 - 45	115
	120	40 - 80	
	180	85 - 140	
	(300)	0 - 80	240
	(350)	20 - 95	
(400)	35 - 115		

HALFEN Brickwork anchors are verified in accordance with EN845-1 for various anchor channels with a minimum embedment depth of 50mm:

Characteristic load-bearing capacity (validated performance)				
		BL	ML	ML1
F _Z [kN] Axial load	HTA-CE	3.2	2.7	2.5
	HMS	-	1.6	1.6
F _Q [kN] Shear load	HTA/HMS	2.7	1.5	1.4
F _D [kN] Compression load	HTA/HMS	1.0 (BL180)	1.0 (ML180)	0.375 (ML1-245)



Sliding sleeve ML-G 150 for ML-Anchor, for wall connections



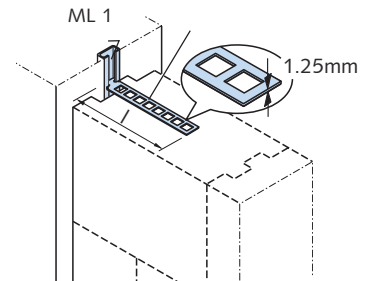
Allows movement in the anchor longitudinal direction; this helps to avoid cracking in long sections of brick wall or infill brickwork connected to concrete structures.

Material: Soft-PVC Order no. 0134.010-00001

Brick ties ML 1 for connections in interior applications

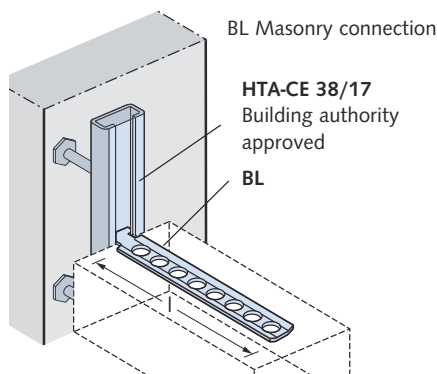
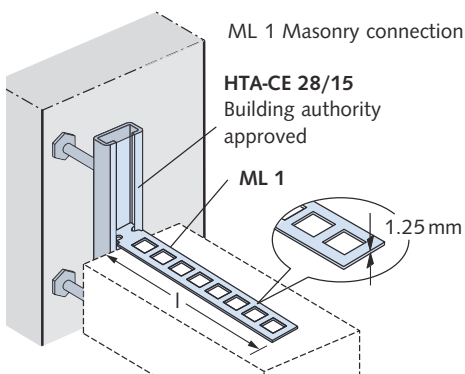
Material: Stainless steel W1.4301 A2

Type	Length l [mm]	Order no. 0013.010-
ML1 -	125	00001
	185	00002
	245	00003



Channels load-bearing capacity with wall tie spacing of ≥ 25 cm

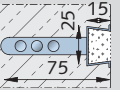

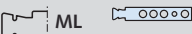
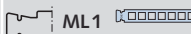



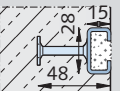
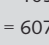
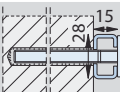

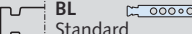
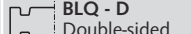
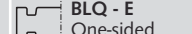
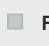
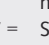
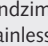
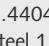
Brick tie channel	HMS 25/15 D	HTA-CE 28/15	HTA-CE 38/17
Centric tension F _Z [kN] (F _{Z,Rd})	1.2 (1.6)	3.0 (4.0)	4.5 (6.1)
Transverse stress F _Q [kN] (F _{Q,Rd})	1.5 (2.0)	3.0 (4.0)	4.5 (6.1)



ML/BL Masonry connection

ROOF AND WALLS

Brick Tie Anchor Systems ML + BL

Brick-tie channel		Brick-tie anchor															
 HMS 25/15 D L = 2500 mm 	 ML Standard 26 × 2 [mm]	 ML 1 25 × 1.25 [mm]	 MLQ-D Double-sided 25 × 3 [mm]	 MLQ-E One-sided 25 × 3 [mm]	 MLS Diagonal 22 × 3 [mm]	Type		Length l [mm]		Type		Length l ₁ [mm]					
						ML - 85	ML 1 - 125	MLQ-D - 85	MLQ-E - 85	MLS - 300							
 HTA-CE 28/15 L = 1050 mm ^① L = 6070 mm ^① 	ML - 120	ML 1 - 185	MLQ-D - 120	MLQ-E - 120	MLS - 350	Type		Length l [mm]		Type		Length l ₁ [mm]					
						ML - 180	ML 1 - 245	MLQ-D - 180	MLQ-E - 180	MLS - 400							
 HL 28/15 L = 6070 mm ^① 	 BL Standard 30 × 2 [mm]	 BLQ-D Double-sided 30 × 3 [mm]	 BLQ-E One-sided 30 × 3 [mm]	Material:  FV = Steel S235JR, hot-dip galvanized  SV = Steel DX51D + Z275, Sendzimir galvanized  A4 = Stainless steel 1.4571/1.4404  A2 = Stainless steel 1.4301													
				Type		Length l [mm]		Type		Length l [mm]		Type		Length l [mm]			
				BL - 85		BLQ-D - 85		BLQ-E - 85		BL - 120		BLQ-D - 120		BLQ-E - 120		BL - 180	

① Other lengths: Available on request

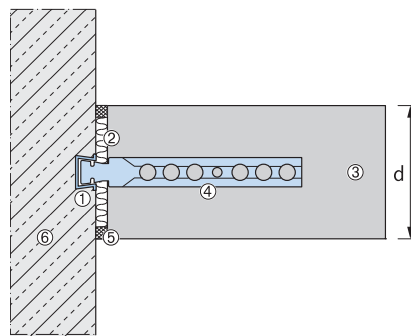
Firewall connection according to DIN 4102-4 : 2016-05

Solid masonry fire walls

Statically required connections of load bearing, room-enclosing, masonry walls can also be designed as fire walls in accordance DIN 4102-4 section 9.8.4 using HALFEN Brick tie channels. The anchorage to adjacent components (steel reinforced concrete supports or walls) meet the requirements for stability and fire resistance if the anchorage conforms to the standards set in DIN 4102-4 section 9.8.4 (figure 9.13, variant 2).

Anchor spacings

HALFEN Brick tie anchors can be used at any position along the whole length of the brick tie channel. Generally the standard spacing between the anchors is 250 mm (4 anchors per metre).



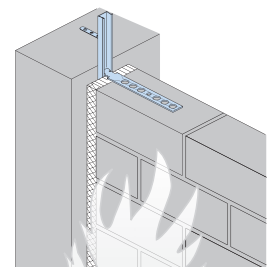
Definition, DIN regulations

- ① **HALFEN Cast-in channel**
- ② **Insulation layer:**
According to DIN 4102-4 section 9.2.14 insulation layers in connecting joint gaps must, "[...] be made of non-flammable mineral fibre; have a melting point $\geq 1000^\circ\text{C}$ as stated in DIN 4102-17; and have a gross density of $\geq 30 \text{ kg/m}^3$ and must not smoulder.
- ③ **Masonry:**
Bricks (gross density class) and minimum wall thickness according to DIN EN 1996-1-2: 2011-04.
- ④ **Masonry connection**
(vertically adjustable)
- ⑤ **Expansion joint**
- ⑥ **Concrete**

Product information

HALFEN Cast-in channel Type ①	④ Brick tie anchor	
	for standard grout	for thin mortar
HMS 25/15 D	ML	ML 1
HTA 28/15	ML	ML 1
HTA 38/17	BL	-

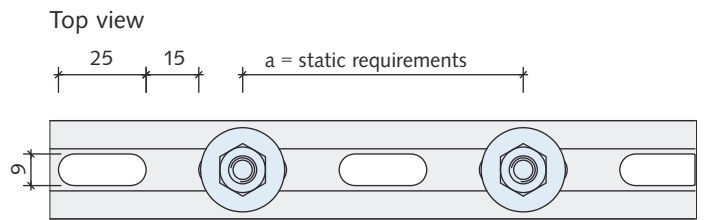
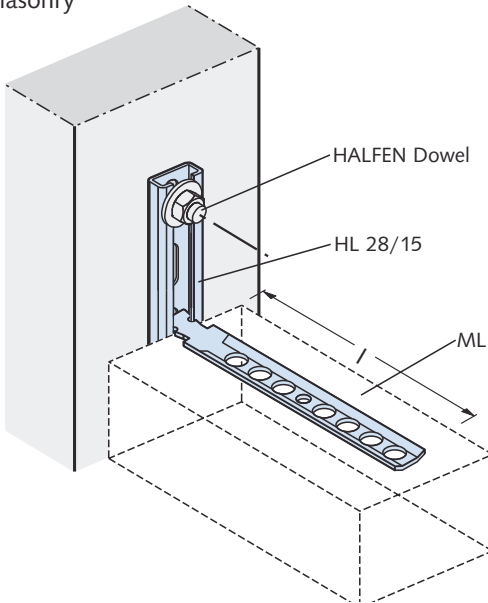
Connection of a load bearing masonry wall as a firewall according to DIN 4102-4 section 9.8.4 (figure 9.13) or according to DIN EN 1996-1-2: 2011-04 (figure E.4B)



ROOF AND WALLS

HALFEN Anchor Bolt Systems

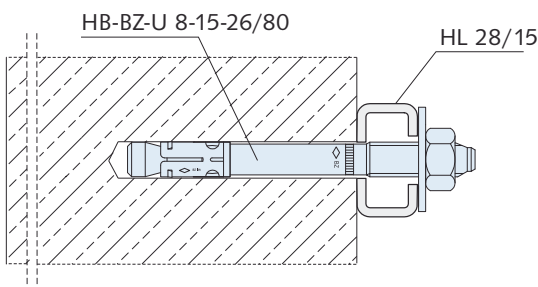
HL slotted framing channels anchored to concrete or masonry



ETA 17/0196 (brickwork) and ETA 16/0691 (concrete)/ Injection system HB-VMU plus

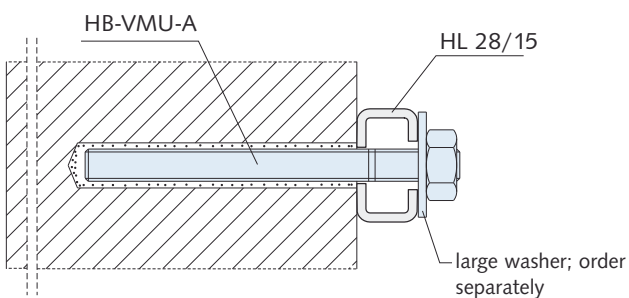


For more information on application and assembly see the Technical Product Information catalogue, **HALFEN HB Anchor bolt systems**



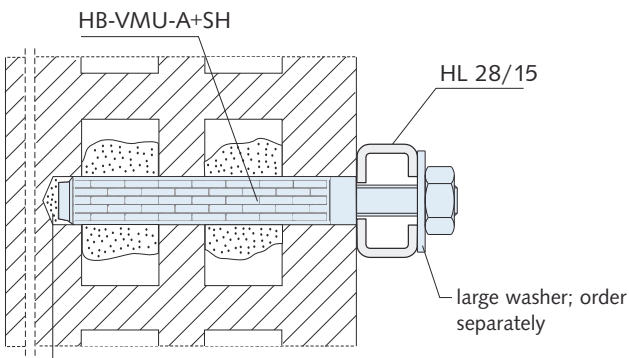
Bolt anchor HB-BZ-U 8-15-26/80

- › galvanized or (A4) stainless steel
- › approved for cracked and uncracked concrete
- › with large washer DIN 9021/EN ISO 7093



Anchor rod HB -VMU-A 8-20/110

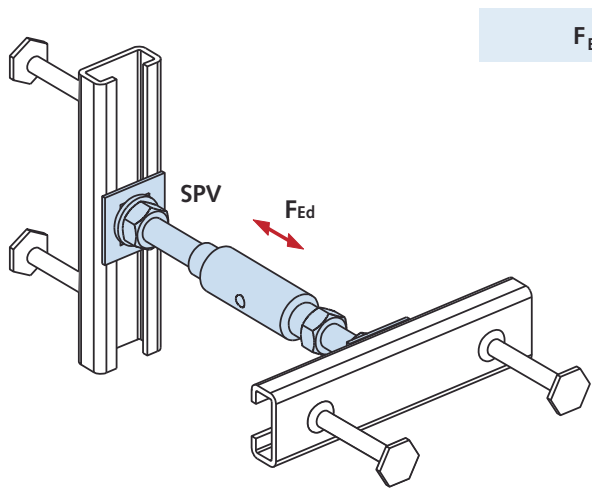
- › galvanized or (A4) stainless steel
- › approved for **monolithic masonry**
- › with large washer DIN 9021/EN ISO 7093 (order separately)
- › mortar cartridge HB-VMU plus 280 and static mixer (order separately)



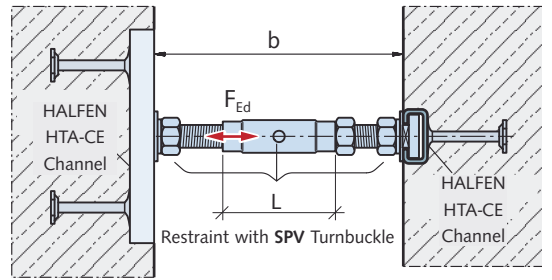
Anchor rod HB-VMU-A 8-20/110 with Perforated sleeve HB-VMU-SH 16×85

- › galvanized or (A4) stainless steel
- › approved for **perforated brick masonry**
- › with large washer DIN 9021/EN ISO 7093 (order separately)
- › mortar cartridge HB-VMU plus 280 and static mixer (order separately)

ROOF AND WALLS Restraint with Turnbuckle SPV



$F_{Ed} = \text{load}$

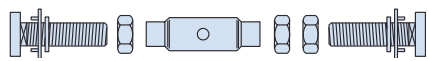


Ensure adequate screw depth:
 M12 → ≥ 10 mm
 M16 → ≥ 13 mm

Product description

The restraint with turnbuckle SPV is suitable for compressive and tensile loads up to $F_{Ed} = 15.0 \text{ kN}$ and for clearances up to 200 mm. By turning the clamping sleeve (sleeve has a right and left-hand thread), the clearance can be freely adjusted within the given range. Connected to the building structure using HALFEN Cast-in channels (order separately).

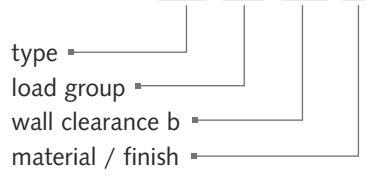
Included in delivery



- Turnbuckle SPH
- 2 HALFEN Bolts (1 right-hand thread, 1 left-hand thread)
- 3 standard nuts
- 2 washers and 2 SIC locking washers

Ordering example:

Item name: **SPV - 7,0 - 100 - A4**



! HALFEN Cast-in channels must be ordered separately

HALFEN SPV Restraint with turnbuckle										
Load group		5.0			7.0			10.0		
Load capacity F_{Rd} [kN]		±7.5			±10.0			±15.0		
Type	Stand-off distance	HALFEN Bolt left-hand thread	Sleeve	HALFEN Bolt right-hand thread	HALFEN Bolt left-hand thread	Sleeve	HALFEN Bolt right-hand thread	HALFEN Bolt left-hand thread	Sleeve	HALFEN Bolt right-hand thread
	b [mm]	M12 [mm]	L [mm]	M12 [mm]	M16 [mm]	L [mm]	M16 [mm]	M16 [mm]	L [mm]	M16 [mm]
SPV	100 ±10 ②	50	60	40	50	60	40	-	-	-
	120 ±15	50	75	40	50	75	40	-	-	-
	140 ±15	50	75	60	50	75	60	80	60	50
	160 ±15	50	95	60	50	95	60	80	75	50
	180 ±15	50	115	60	50	115	60	80	95	50
	200 ±15	50	135	60	50	135	60	80	115	50
Recommended fixing		HTA-CE 38/17 ①			HTA-CE 38/17 ①			HTA-CE 49/30 ①		

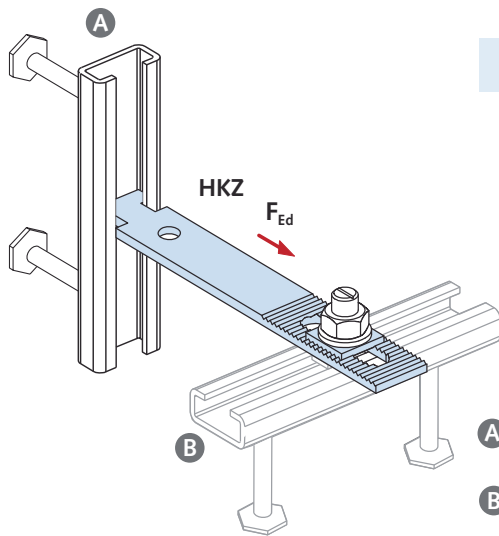
① Short elements 150, 200 and 250. The respective boundary conditions must be taken into consideration when verifying the anchorage.
 ② Minimum tolerance is limited for load group 7.0



For further concrete façades accessories see catalogue **HALFEN Concrete façade anchor systems**

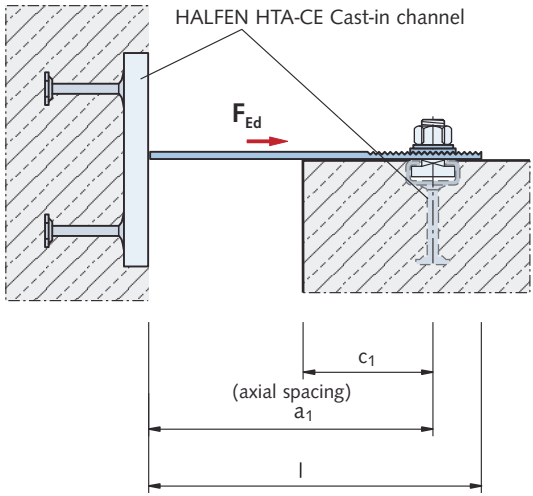
ROOF AND WALLS

Restraint Tie HKZ



$F_{Ed} = \text{load}$

- A** HALFEN Channel suitable for HKZ-Restraint ties
- B** HALFEN Channel or dowel according to approval



Product characteristics

The serrations in the bracket and in the washer ensure positive static load transmission.

Two HALFEN Cast-in channels embedded at right angle in the concrete ensure three-dimensional adjustability.

Please order HALFEN Cast-in channels and HALFEN Bolts and washers separately

Ordering example:

Item name: **HKZ-38/17 - 100 - A4**

type ————

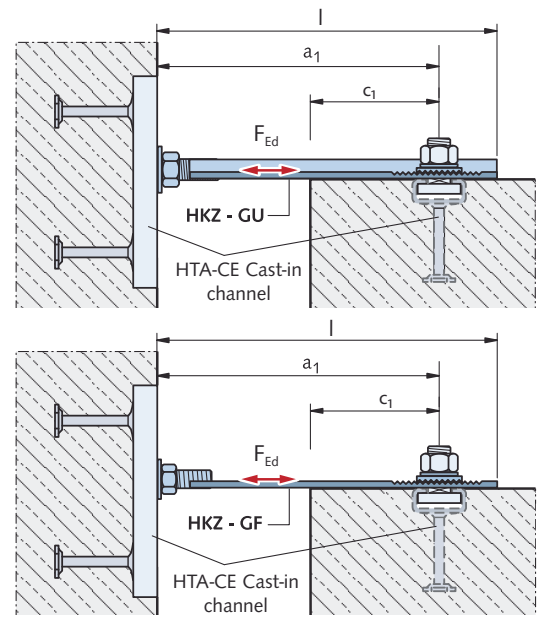
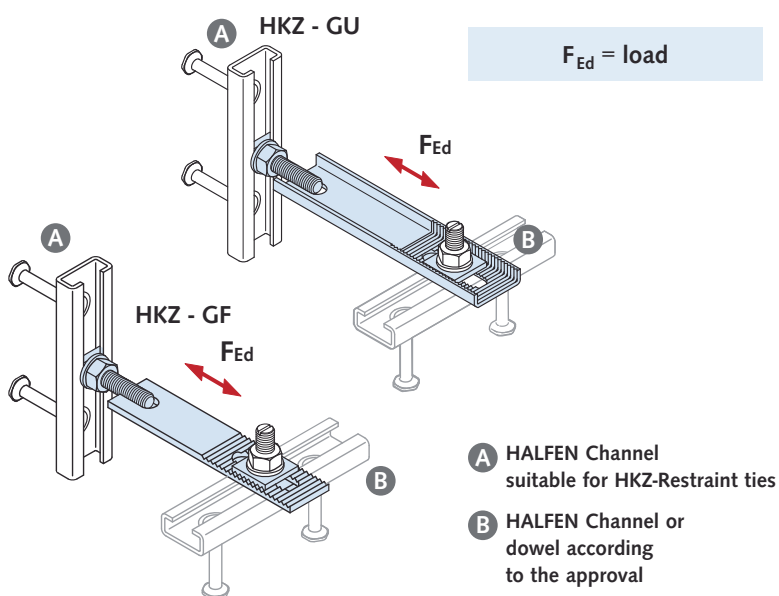
clearance a_1 ————

material / finish ————

HALFEN HKZ Restraint tie							
Characteristics:	Type selection:		Type selection:		Dimensions		
	Type	a_1	Type	a_1	Length l	Spacing a_1	Holes
① Load capacity F_{Rd} [kN]	GV = galvanized. Not suitable for façades with ventilation gaps		A4 = Stainless steel grade 1.4571/1.4404		[mm]	[mm]	[mm]
+4.9 (tension only)	HKZ 28/15 - 50 - GV		HKZ 28/15 - 50 - A4		90	50	LL 11 × 55 RL 11
	HKZ 28/15 - 75 - GV		HKZ 28/15 - 75 - A4		115	75	
	HKZ 28/15 - 100 - GV		HKZ 28/15 - 100 - A4		140	100	
	HKZ 28/15 - 125 - GV		HKZ 28/15 - 125 - A4		165	125	
	HKZ 28/15 - 150 - GV		HKZ 28/15 - 150 - A4		190	150	
	HKZ 28/15 - 175 - GV		HKZ 28/15 - 175 - A4		215	175	
	HKZ 28/15 - 200 - GV		HKZ 28/15 - 200 - A4		240	200	
	HKZ 28/15 - 225 - GV		HKZ 28/15 - 225 - A4		265	225	
+9.8 (tension only)	HKZ 28/15 - 250 - GV		HKZ 28/15 - 250 - A4		290	250	LL 11 × 55 RL 11
	HKZ 38/17 - 75 - GV		HKZ 38/17 - 75 - A4		115	75	
	HKZ 38/17 - 100 - GV		HKZ 38/17 - 100 - A4		140	100	
	HKZ 38/17 - 125 - GV		HKZ 38/17 - 125 - A4		165	125	
	HKZ 38/17 - 150 - GV		HKZ 38/17 - 150 - A4		190	150	
	HKZ 38/17 - 175 - GV		HKZ 38/17 - 175 - A4		215	175	
	HKZ 38/17 - 200 - GV		HKZ 38/17 - 200 - A4		240	200	
	HKZ 38/17 - 225 - GV		HKZ 38/17 - 225 - A4		265	225	
	HKZ 38/17 - 250 - GV		HKZ 38/17 - 250 - A4		290	250	
HKZ 38/17 - 275 - GV		HKZ 38/17 - 275 - A4		315	275		
HKZ 38/17 - 300 - GV		HKZ 38/17 - 300 - A4		340	300		

① The load capacities apply for the HKZ-restraint ties. The channel **A** and the fixing dowel/channel **B** must be verified, depending on the edge distance c_1 , the concrete grade and the reinforcement, for each application.

ROOF AND WALLS Restraint Tie HKZ - GF/GU



Product description
The serrations in the bracket and in the washer ensure positive static load transmission.

Please order HALFEN Cast-in channels and HALFEN Bolts and washers separately.

The double-sided attachment using a HALFEN Bolt and a threaded plate ensures positive and slippage-free wind anchoring when used in combination with HALFEN HTA-CE Cast-in channels; the connection is three-dimensionally adjustable.

Ordering example:
Item name: **HKZ - GF 38/17 - 125 - GV**
type
axial spacing a_1
material/ GV/A4

HALFEN Restraint ties, type HKZ-GF and type HKZ-GU								
Characteristics: ① Load capacity F_{Rd} [kN]	Type selection: GV = galvanized not suitable for façades with ventilation gap		Type selection: A4 = Stainless steel 1.4571/1.4404		Dimensions:			
	Type	a_1 [mm]	Type	a_1 [mm]	Length l [mm]	Spacing a_1 [mm]	Tolerance [mm]	Slot [mm]
±4.9	HKZ - GF 28/15 - 75 - GV		HKZ - GF 28/15 - 75 - A4		115	75	$a_1 \pm 20$	11 × 55
	HKZ - GF 28/15 - 100 - GV		HKZ - GF 28/15 - 100 - A4		140	100		
	HKZ - GF 28/15 - 125 - GV		HKZ - GF 28/15 - 125 - A4		165	125		
	HKZ - GF 28/15 - 150 - GV		HKZ - GF 28/15 - 150 - A4		190	150		
	HKZ - GF 28/15 - 175 - GV		HKZ - GF 28/15 - 175 - A4		215	175		
±9.8	HKZ - GF 38/17 - 100 - GV		HKZ - GF 38/17 - 100 - A4		140	100	$a_1 \pm 20$	13 × 55
	HKZ - GF 38/17 - 125 - GV		HKZ - GF 38/17 - 125 - A4		165	125		
	HKZ - GF 38/17 - 150 - GV		HKZ - GF 38/17 - 150 - A4		190	150		
	HKZ - GF 38/17 - 175 - GV		HKZ - GF 38/17 - 175 - A4		215	175	$a_1 \pm 20$	13 × 55
	HKZ - GU 38/17 - 200 - GV		HKZ - GU 38/17 - 200 - A4		240	200		
	HKZ - GU 38/17 - 225 - GV		HKZ - GU 38/17 - 225 - A4		265	225		
	HKZ - GU 38/17 - 250 - GV		HKZ - GU 38/17 - 250 - A4		290	250		
±16.8	HKZ - GU 50/30 - 200 - GV		HKZ - GU 50/30 - 200 - A4		240	200	$a_1 \pm 20$	17 × 60
	HKZ - GU 50/30 - 225 - GV		HKZ - GU 50/30 - 225 - A4		265	225		
	HKZ - GU 50/30 - 250 - GV		HKZ - GU 50/30 - 250 - A4		290	250		
	HKZ - GU 50/30 - 275 - GV		HKZ - GU 50/30 - 275 - A4		315	275		
	HKZ - GU 50/30 - 300 - GV		HKZ - GU 50/30 - 300 - A4		340	300		

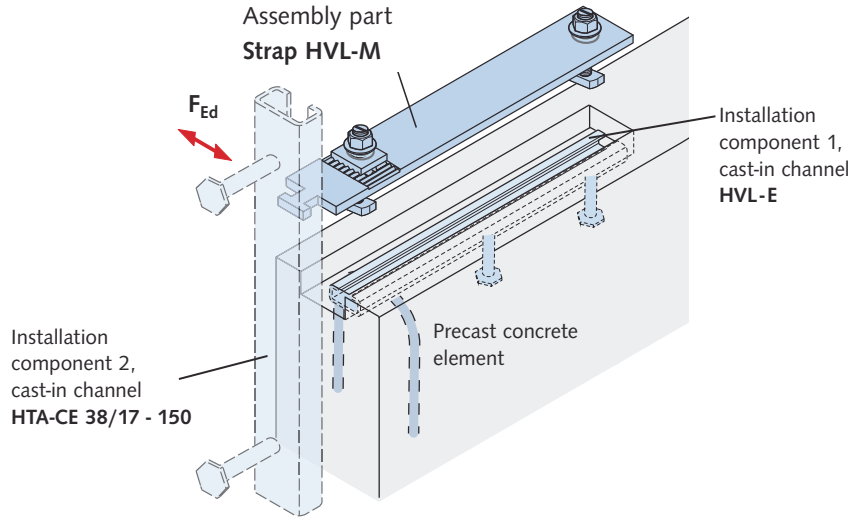
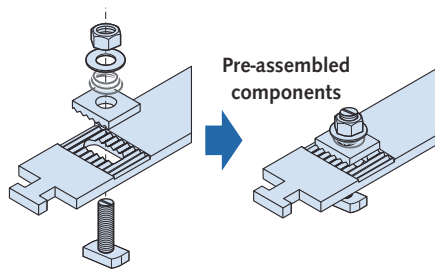
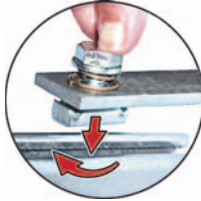
① The load capacities apply for the HKZ-restraint ties. The channel **A** and the fixing dowel/channel **B** must be verified, depending on the edge distance c_1 , the concrete grade and the reinforcement, for each application.

ROOF AND WALLS

HVL Precast Connection

Assembly:

The connecting strap is delivered ready to be installed: The bolt fastening sets and the counter plate are pre-assembled for fast installation.



Assembly part HVL-M

Pre-assembled, consisting of:

- serrated hammer-head strap
- 1 serrated counter plate
- 2 bolt sets
(Bolt HS 38/17 - M12 × 50 + washer + tapered compressed spring)

Installation component 1 HVL-E:

HALFEN Cast-in channel HTA 38/17-300-SK with 2 bolt anchors and one loop end anchor.

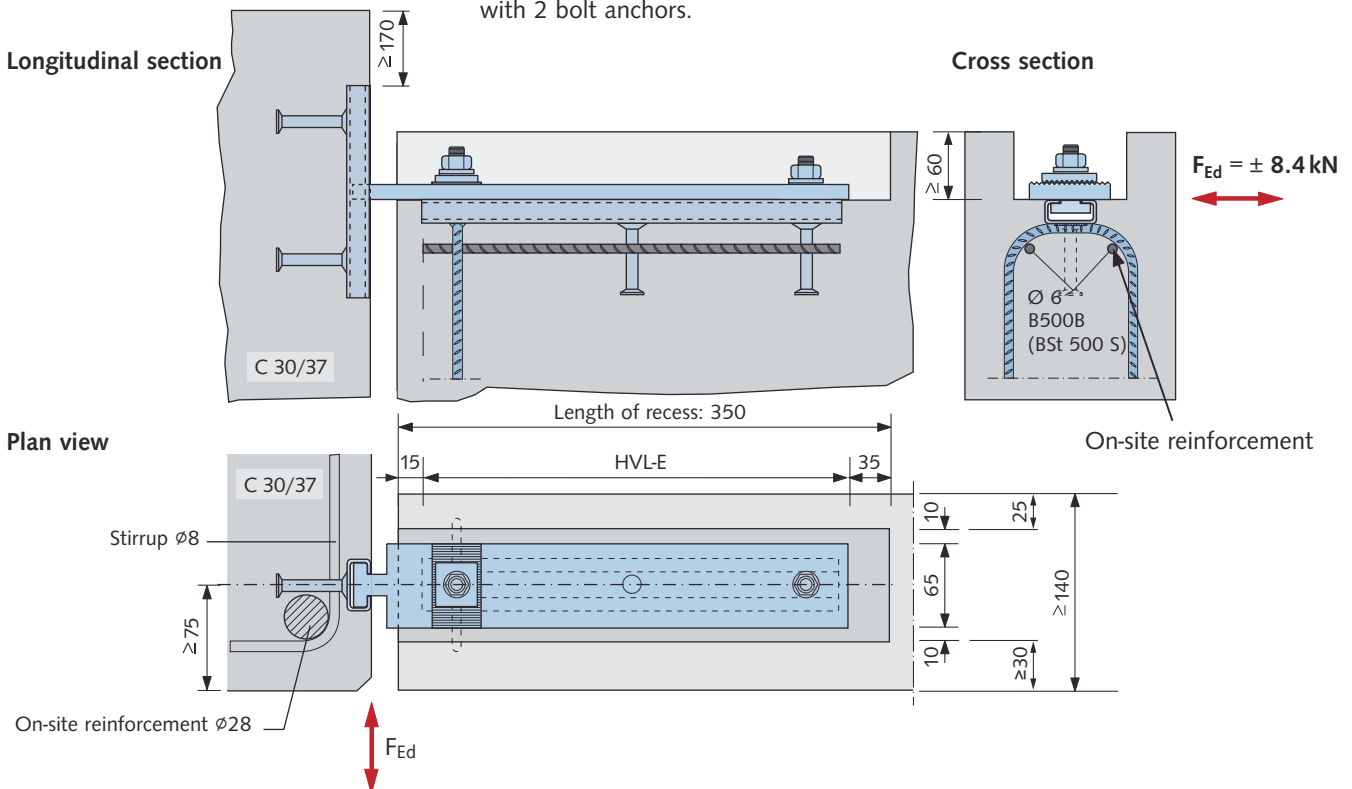
Installation component 2:

HALFEN Cast-in channel HTA-CE 38/17-150 with 2 bolt anchors.

Corrosion protection

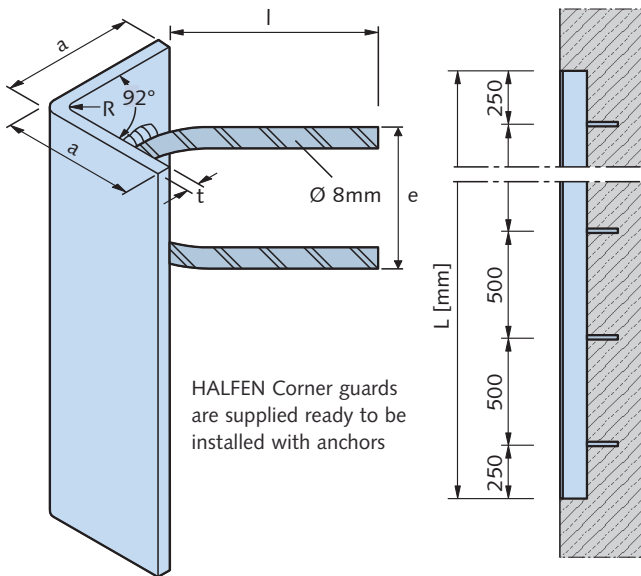
- hammer-head strap, cast-in channel: hot-dip galvanized
- HALFEN Bolts, nuts, washers and springs: galvanized

These parts are covered by mortar after installation.

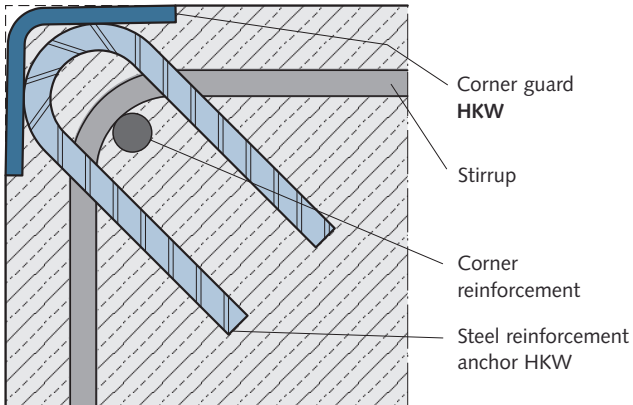


ROOF AND WALLS

HALFEN HKW Corner Guard



Column edge, typical cross-section



Advantages:

- › 92° angle ensures a tight fit to the formwork. This prevents concrete seeping between the formwork and the corner profile, resulting in a smoother finish.
- › U-shaped concrete reinforced anchors do not restrict the corner reinforcement and allow easy installation of the reinforcement.
- › Anchors are of reinforcement steel quality to guarantee optimal anchorage.
- › Competitive pricing through serial production

Corner guard HKW							
Type selection:			Material/Finish:		Anchor dimensions	Radius	
Type	a/t [mm]	Length L [mm]	no. of anchors	FV = hot-dip galvanized	A2 = Stainless steel	l × e [mm]	R [mm]
HKW 50/5 -		500 / 2		FV	A2	75 × 55	6
		750 / 2		FV	A2		
		1000 / 2		FV	A2		
		1500 / 3		FV	A2		
		2000 / 4		FV	A2		
HKW 80/6 -		500 / 2		FV	A2	100 × 85	8
		750 / 2		FV	A2		
		1000 / 2		FV	A2		
		1500 / 3		FV	A2		
		2000 / 4		FV	A2		
HKW 100/8 -		500 / 2		FV	A2	110 × 85	16
		750 / 2		FV	A2		
		1000 / 2		FV	A2		
		1500 / 3		FV	A2		
		2000 / 4		FV	A2		

Material/Finish:

■ **FV = Corner profile:** Steel hot-dip galvanized 1.0038

Anchor: B500B (BSt 500 S)

■ **A2 = Corner profile:** Stainless steel 1.4307

Anchor: B500B/A NR

Ordering example:

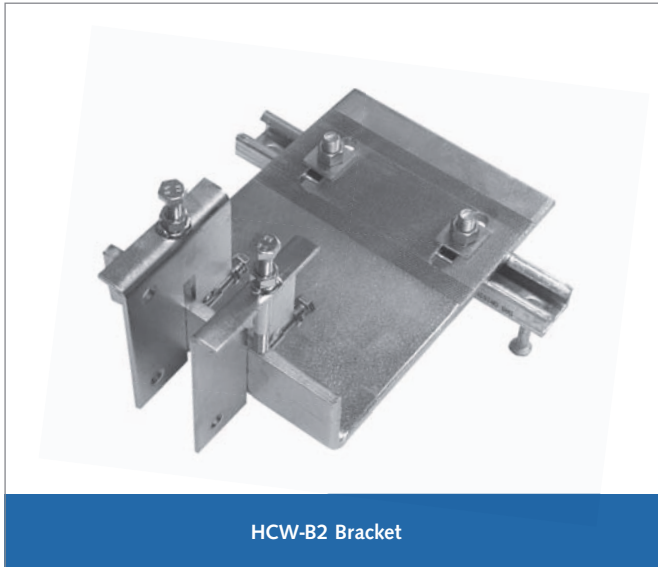
HKW 50/5 - A2 - 2000/4

- length/no. of anchors
- material/finish
- type/profile

HALFEN CURTAIN WALL SYSTEM

The benefits at a glance

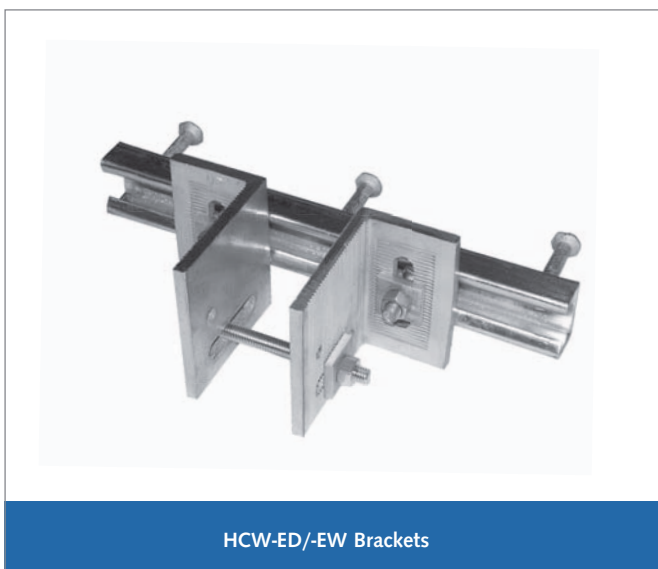
Modern buildings require façades of the highest quality that can be installed quickly and safely. This is the reason the HALFEN Curtain Wall System is chosen more and more frequently by architects and specifiers.



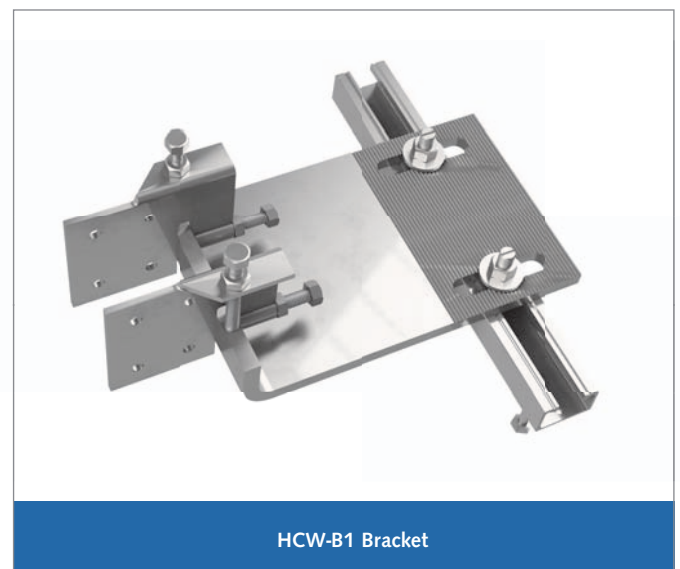
For modular façades. Anchored to the top surface of floor slabs.

Fast and cost-effective

- › 3-dimensional adjustable connection when used with cast-in channels
- › uses bolts instead of welding
- › fast assembly reduces installation time



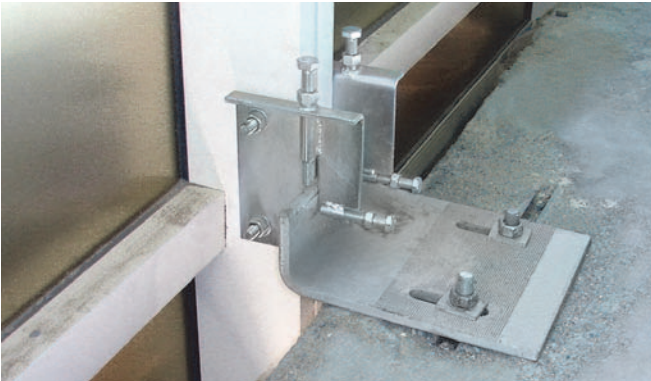
For post and beam façades. Anchored to the edges of slabs.



For post and beam façades. Anchored to the top surface of floor slabs.

HALFEN CURTAIN WALL SUPPORT SYSTEMS

Application Examples



Fixing of a curtain wall system using HCW-B2 Brackets connected to HTA-CE Cast-in channels



Liberty Life, Johannesburg



Torre Espacio, Madrid



Fixing of a post and beam façade using HCW-ED Brackets on HTA-CE Cast-in channels



Post office Tower, Bonn



Sage Centre, Gateshead



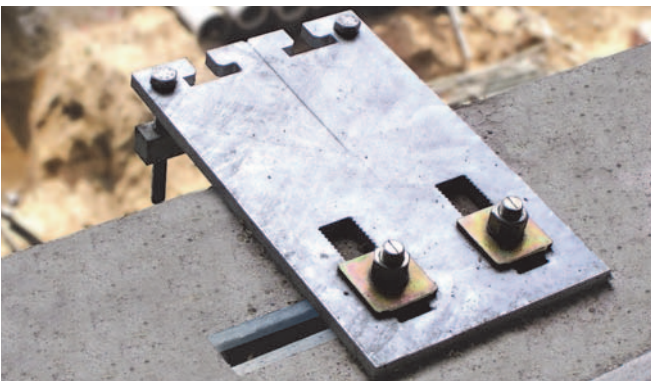
Fixing of a modular façade using HCW-ED Brackets on HTA-CE Cast-in channels



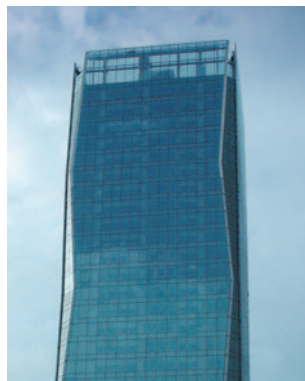
Burj Khalifa, Dubai



Edificio Gas Natural, Barcelona



Typical curtain wall fixing with HTA-CE Cast-in channels



Westin Libertador Hotel, Lima



World Financial Center, Shanghai

HALFEN CURTAIN WALL SUPPORT SYSTEMS

General

HALFEN Curtain wall system

This type of construction is characterized by a continuous outer skin (see figure 1).

The façade is attached to the main structure of the building using only the required number of point-load connections.

Curtain wall façades protect the interior of buildings from external, unwanted environmental influences whilst still

permitting visual contact with the outside environment using structural components that can be opened or are transparent. Specifically, this includes sufficient stability against wind loads, adequate insulation against frost in winter, heat in summer as well as against external noise.

In addition, various requirements must be met to protect against fire and other critical situations.

Curtain wall

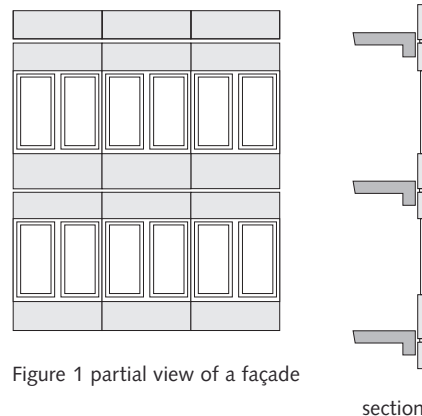


Figure 1 partial view of a façade

section

Post and beam façade and the modular façade

We distinguish between two methods of curtain wall façades:

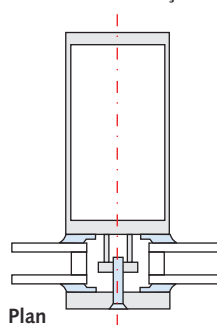
- the **post and beam façade**
- and the **modular façade**.

Post and beam façade

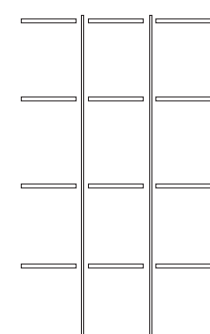
One basic distinctive difference is the way expansion in the façade is distributed (for example; thermal expansion). With the post and beam façade (see figure 2) the vertical and horizontal frame supports are installed in spacings corresponding to the façade elements. The supports are installed with an expansion gap between components allowing for sufficient expansion.

The respective longitudinal and transverse connections have an expandable joint. The filler elements (glass or panel) installed in a post and beam structure permit movement within the tolerance of the designed expansion joint. The glass and filler elements are delivered separately and are then installed on site, requiring on-site scaffolding.

Post and beam façade



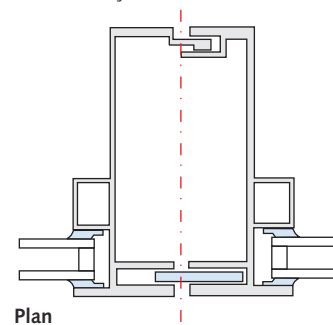
Plan



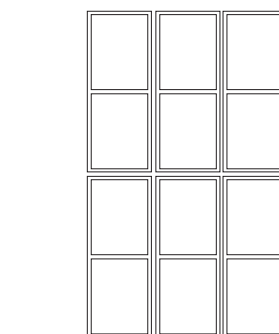
View

Figure 2

Modular façade



Plan



View

Figure 3

Modular façade

With the modular façade method (see figure 3), the façade is made of prefabricated elements, in which glass, natural stone or infills are pre-installed. The façade profiles are designed as a key and slot system to allow for expansion.

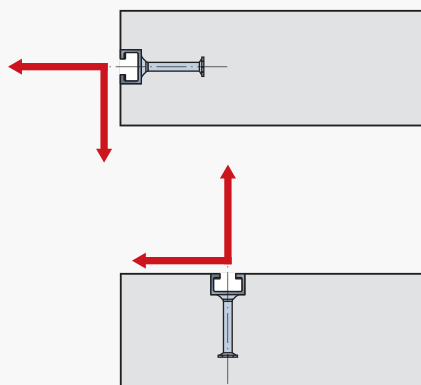
This method provides immediate weather protection and allows the building contractor to start interior work on the respective floor directly after the prefabricated modules have been installed.

Scaffolding is not required with this method of construction.

HALFEN CURTAIN WALL SUPPORT SYSTEMS Product range

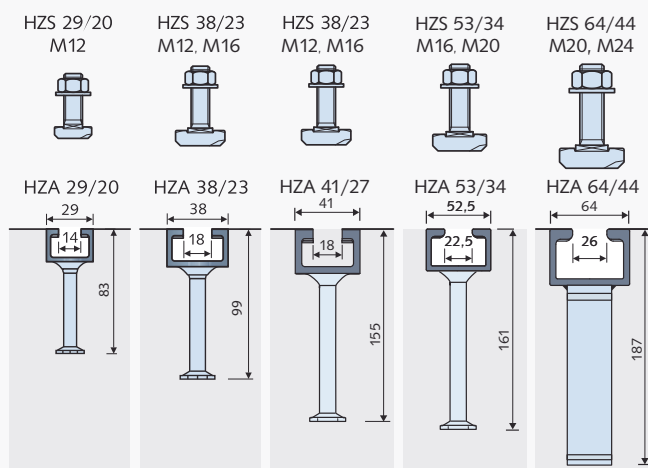
Load conditions and required HALFEN Cast-in channels

Standard slab thickness
with standard tensile and transverse tensile loads
HALFEN Channels with bolt anchors and weld-on I-anchors

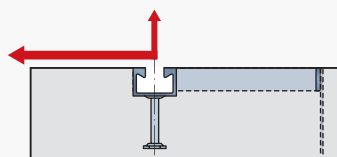


see pages 16–26

Hot-rolled serrated channels and bolts



Thin slabs (thickness ≥ 12.5 cm)
with high transverse tensile loads
and small edge distance
HALFEN Curtain wall channel
HCW 52/34
(not included in the HTA-CE approval)

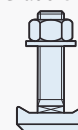


see pages 66–67

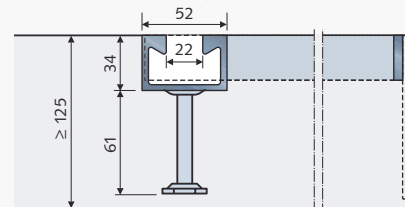
HCW 52/34 and bolt

HS 50/30, M16, M20

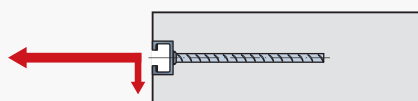
Grade 8.8



HCW 52/34

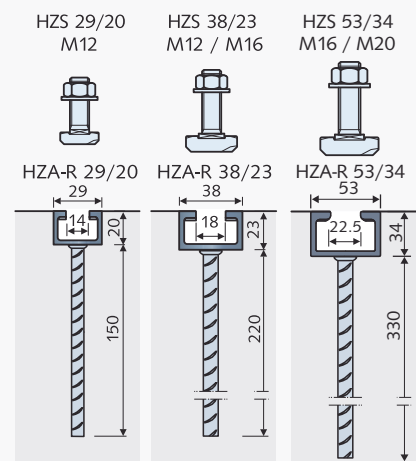


Thin slabs (thickness ≥ 10 cm)
with high tension loads
HALFEN Channels HTA-R or HZA-R
with rebar anchors
(not included in the HTA-CE and
HZA approvals)



see page 68

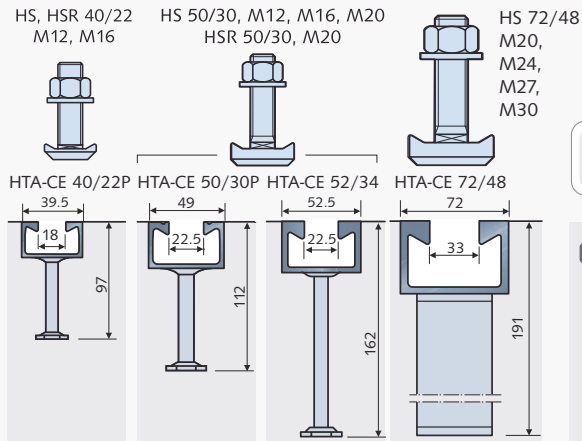
Hot-rolled serrated channels with rebar anchors and bolts



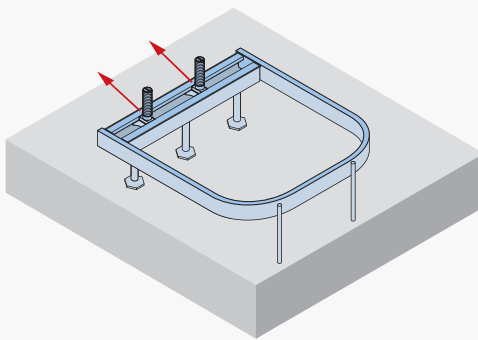
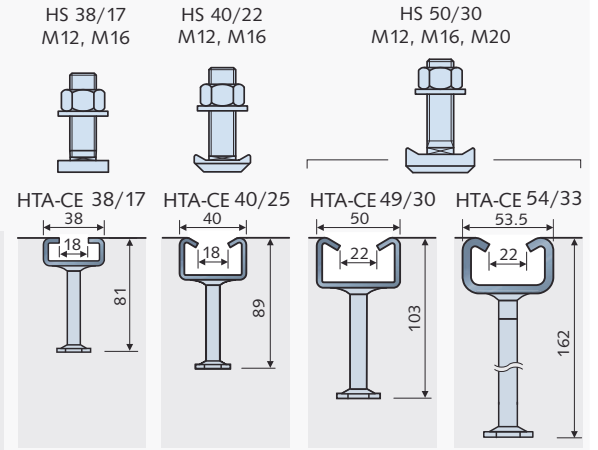
HALFEN CURTAIN WALL SUPPORT SYSTEMS

Product Range

Hot-rolled (standard) channels and bolts

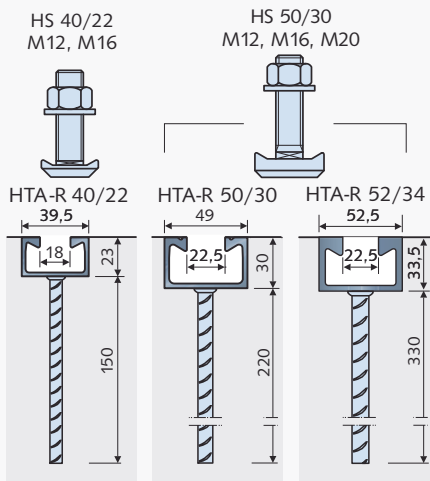


Cold-rolled (standard) channels and bolts

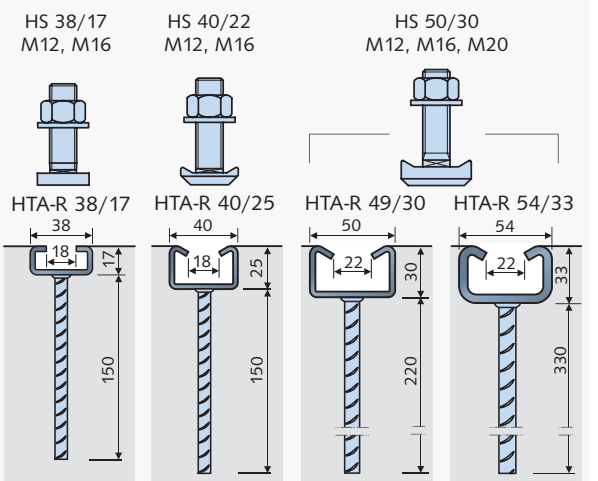


HCW 52/34 with bolts and bracket

Hot-rolled (smooth) channels with rebar anchors and bolts



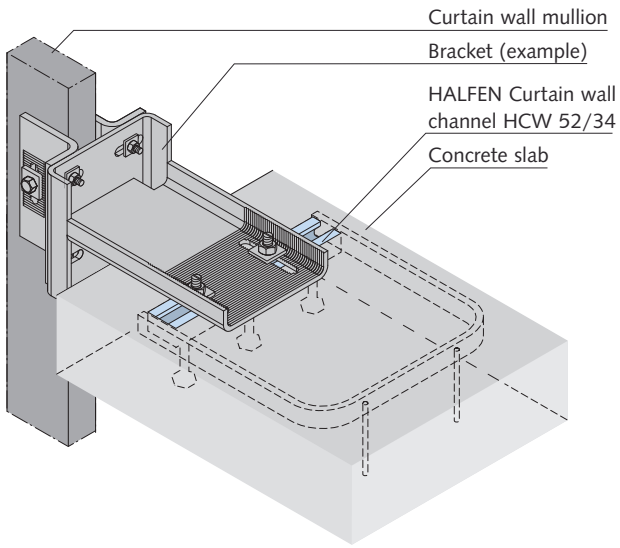
Cold-rolled (smooth) channels with rebar anchors and bolts



HALFEN CURTAIN WALL SUPPORT SYSTEMS

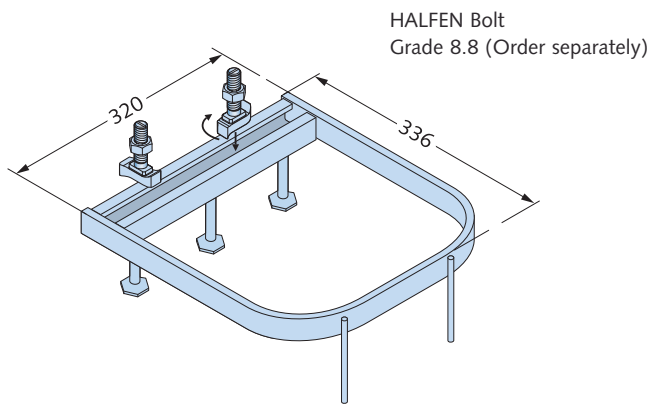
HALFEN Channel HCW 52/34

Typical installation



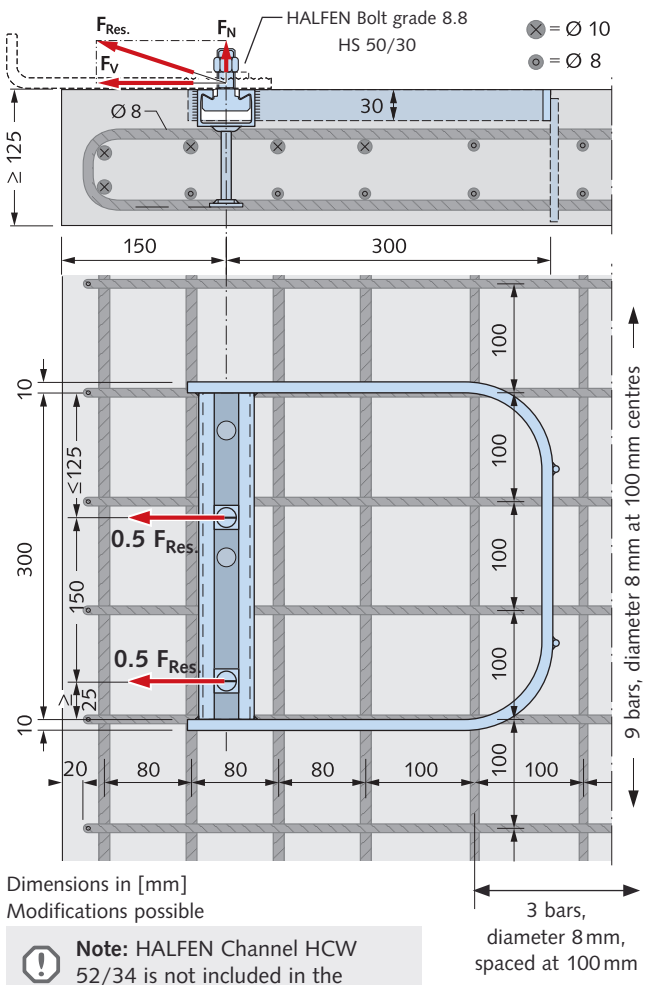
Product description

Identification: HCW 52/34
Material: hot-dip galvanized

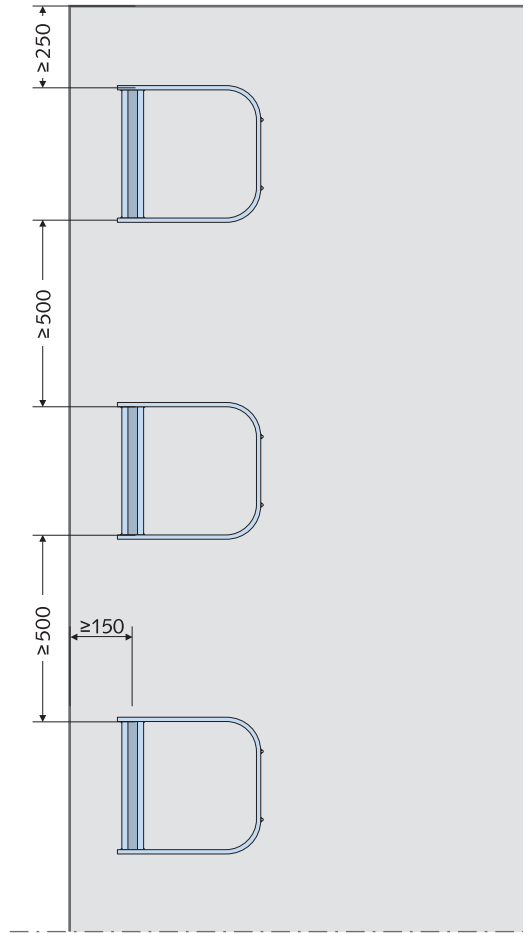


Dimensions in [mm]

Reinforcement requirements



Edge and element spacing



HALFEN CURTAIN WALL SUPPORT SYSTEMS

HALFEN Cast-in Channel HCW 52/34

Channel load data

The following load failure were averaged from three tests:

$F_{V \text{ failure}}$	=	142.3 kN
$F_{N \text{ failure}}$	=	47.4 kN
$F_{\text{res, failure}}$	=	$\sqrt{F_N^2 + F_V^2}$ = 150.0 kN

The load deformation diagram (see right) may be used to determine allowable loads based on acceptable displacement and the required safety factor according to local building codes. The diagram is based on the following:

- tensile and transverse loads were increased at a ratio of 1:3 up to breaking point
- concrete slab thickness ≥ 125 mm and reinforcement as shown on page 66
- concrete strength class $\geq C 20/25$ N/mm²
- load is transferred into the channel via two HALFEN Bolts HS 50/30 M20 Grade 8.8. The bolt spacing is 150 mm. A sample calculation is shown below.

The safety factor is freely selected. However, it must be determined which factors are actually to be implemented, whether these are based on project specific boundary condition or on valid building regulations.

Calculation example: Assumed safety factor $v = 3$
(failure test load / working load)

Average failure load from the tests:

Transverse tensile stress	$F_{V \text{ ultimate}}$	=	142.3 kN
Tensile stress	$F_{N \text{ ultimate}}$	=	47.4 kN
Res. diagonal tensile load	$F_{\text{res, ultimate}}$	=	150.0 kN

Actual working loads at bolts (specification by façade engineer):

Transverse tensile stress	$F_V = 35$ kN
Tensile stress	$F_N = 10$ kN

Allowable load with $v = 3$ against average ultimate load from tests:

perm. F_V	=	$142.3 / 3$	=	47.4 kN
perm. F_N	=	$47.4 / 3$	=	15.8 kN
perm. F_{res}	=	$150 / 3$	=	50.0 kN

Control: Working load $F_V = 35$ kN < 47.4 kN

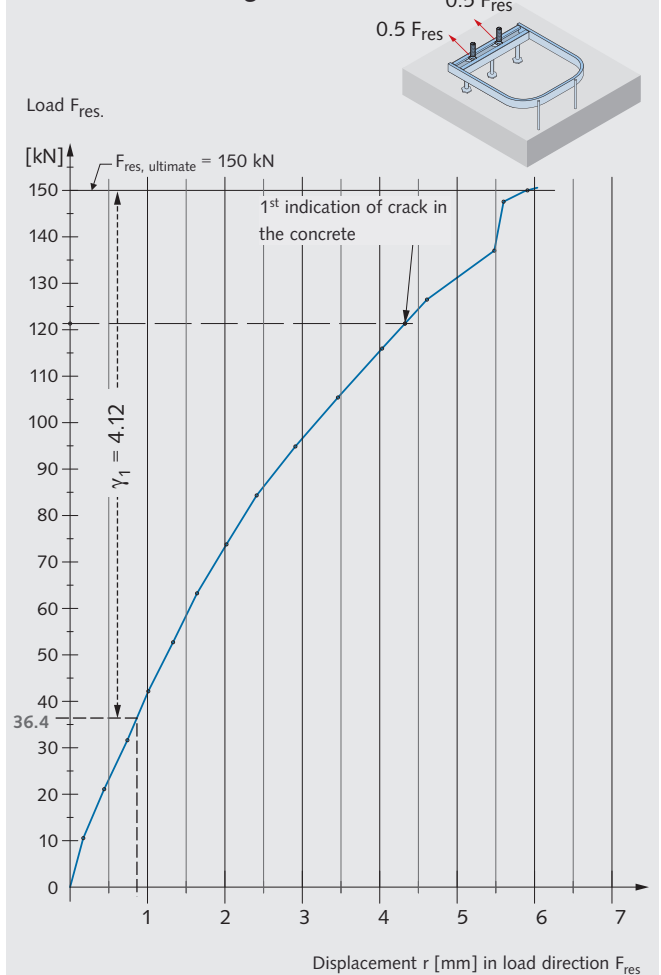
Working load $F_N = 10$ kN < 15.8 kN

Working load $F_{\text{res}} = \sqrt{(10)^2 + (35)^2} = 36.4$ kN < 50 kN

Displacement at working load < 1 mm (see diagram).

Actual safety factor for average ultimate load $\gamma_1 = (150 / 36.4) = 4.12$.

Load deformation diagram



Corresponding HALFEN Bolts HS 50/30

Depending on the load size, we also recommend using HALFEN Bolts HS 50/30 M16 or M20, grade 8.8 in combination with HALFEN Cast-in channel HCW 52/34. The bolts stated below are hot-dip galvanized.

Other bolt sizes and materials can be supplied. Please contact us for detailed information. Addresses can be found at the back of this catalogue.

Type selection HALFEN Bolts HS 50/30 FV Grade 8.8

Thread	Material grade	Available length L [mm]	Allowable resulting bolt load (all directions) perm. F_s [kN]	Allowable bending moment [Nm]	Recommended torque [Nm]	If the bolt is stressed in the direction of a slot its load capacity must be verified taking bolt flexure into account.
M 16	8.8	40, 60, 80, 100	36.1	111	60	
M 20	8.8	45, 60, 80, 100	56.4	216	120	

HALFEN CURTAIN WALL SUPPORT SYSTEMS

HALFEN Cast-in Channels with Rebar Anchor HTA-R and HZA-R

Design basics

Structural analysis

Material resistance shear

Material resistance Design load

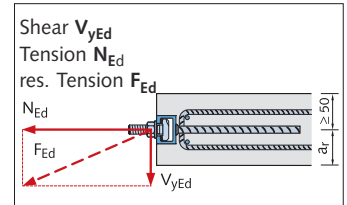
Material resistance tension

Material resistance resulting diagonal pull

$$V_{y,Rd} \geq V_{y,Ed}$$

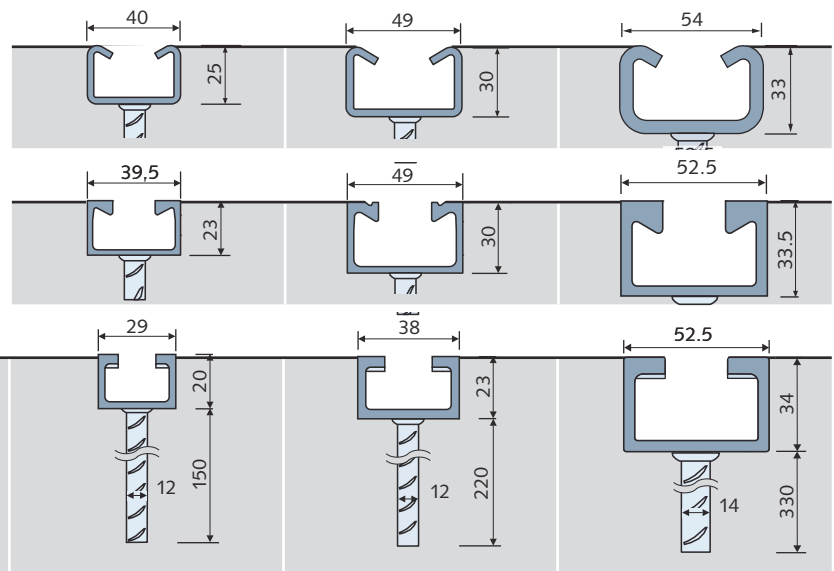
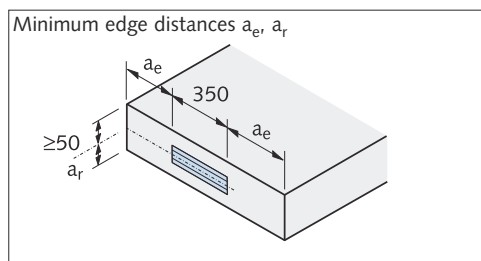
$$N_{Rd} \geq N_{Ed}$$

$$F_{Rd} \geq F_{Ed} = \sqrt{N_{Ed}^2 + V_{y,Ed}^2}$$



HALFEN Channels HTA-R and HZA-R – Design values for material resistance

The minimum edge distance shown in the table applies to reinforced concrete



HALFEN Cast-in channel type		HTA-R 38/17 ②	HTA-R 40/25 ② HTA-R 40/22 ② HZA-R 29/20 ③	HTA-R 49/30 ② HTA-R 50/30 ② HZA-R 38/23 ③	HTA-R 54/33 ③ HTA-R 52/34 ③ HZA-R 53/34 ③
Concrete strength grade ≥ C20/25 $f_{ck,cyl.} = 20 \text{ N/mm}^2$ $f_{ck,cube} = 25 \text{ N/mm}^2$		350 mm 3 anchors	350 mm 3 anchors	350 mm 3 anchors	350 mm 3 anchors
$F_{Rd} = N_{Rd} \text{ [kN]}$		2×7.0	2×9.1	2×14.0	2×24.5
$a_r \text{ [mm]}$	$a_e \text{ [mm]}$	$V_{y,Rd} \text{ [kN]}$			
≥ 50	≥ 40	2×2.4			
≥ 60	≥ 45	2×3.7			
≥ 70	≥ 50	2×4.9			
≥ 75	≥ 50	2×5.6			
Material: hot-dip galvanized	Channel	1.0038 / 1.0044			
	Anchor	B500B			
Material: stainless steel	Channel	1.4571 / 1.4404 ④			
	Anchor	B500B			

② Material 1.0038, ③ Material 1.0044, ④ Not available for HALFEN Cast-in channels HZA-R 29/20

Notes: HALFEN Cast-in channels HTA-R / HZA-R are not included in the HTA-CE/HZA approval

Other channel lengths from 150 – 6070 mm are available

HALFEN CURTAIN WALL SUPPORT SYSTEMS

Edge of Slab Brackets HCW-ED Post and Beam Façades

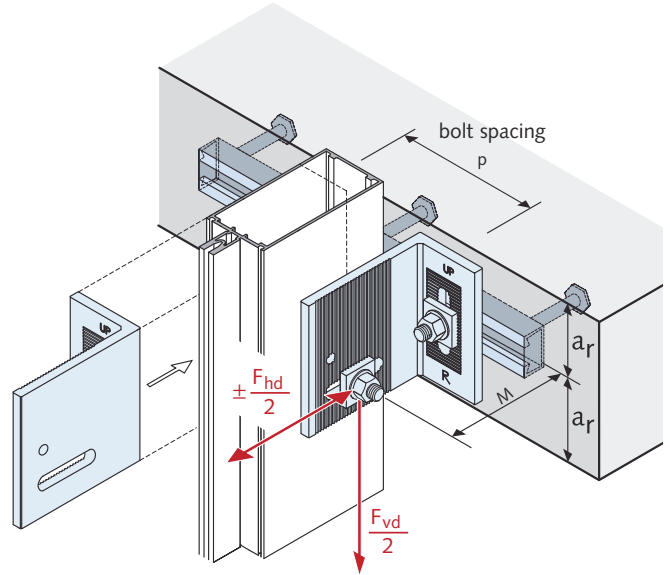
Application example

HALFEN Edge of slab brackets are connected in pairs, one each side of the mullion, and are available in two types:

- **Type HCW-ED** Brackets are designed to support both **vertical and horizontal** loads.
- **Type HCW-EW** Brackets are designed to support only **horizontal** wind loads.

The brackets guarantee a simple adjustable connection. The HALFEN Bolts (connection: bracket to HALFEN Channel) and the standard hexagonal bolts M12 (connection: bracket to façade mullion) must be grade strength 8.8. A round auxiliary hole in the long arm of the brackets can be used for temporary attachments. For example; temporary fixing of brackets to support the post with self-tapping screws until the final connection is made.

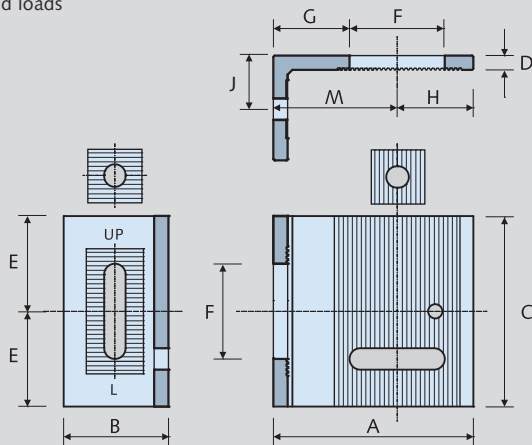
The brackets are made of high quality aluminium material. Special nylon discs are placed between the "Wind load" Bracket HCW-EW and support post.



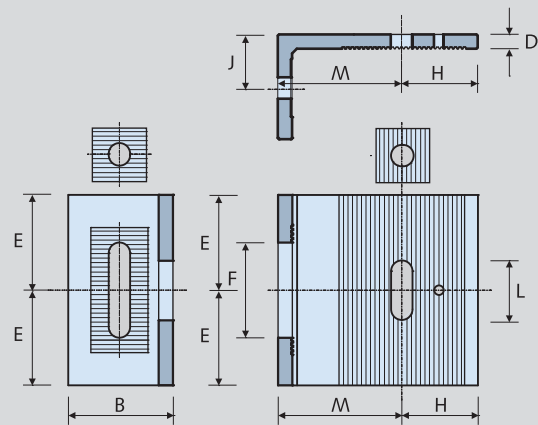
To guarantee correct installation, the HCW-ED brackets are marked 'R' for right, 'L' for left and 'UP' for top.

Bracket dimensions [mm]

HCW-ED Brackets for dead loads and wind loads



HCW-EW Brackets wind loads only



Serrated washers must be ordered separately

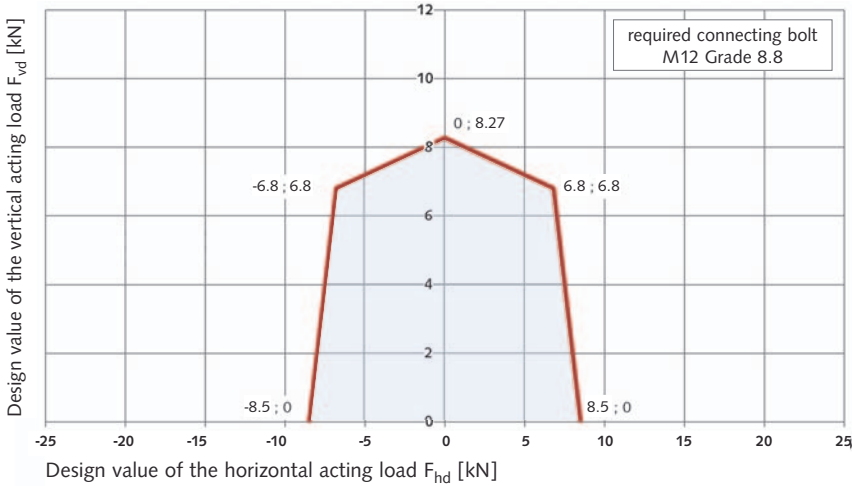
Serrated washers must be ordered separately

Size	Bracket code	A	B	C	D	E	F	G	H	J	L	M
Small	HCW-ED 1 HCW-EW 1	108	70	114	10	57	64	25	51	36	40	57
Medium	HCW-ED 2	133	70	127	10	64	64	51	51	36	40	82
Large	HCW-ED 3 HCW-EW 3	159	70	140	10	70	64	76	51	36	40	108

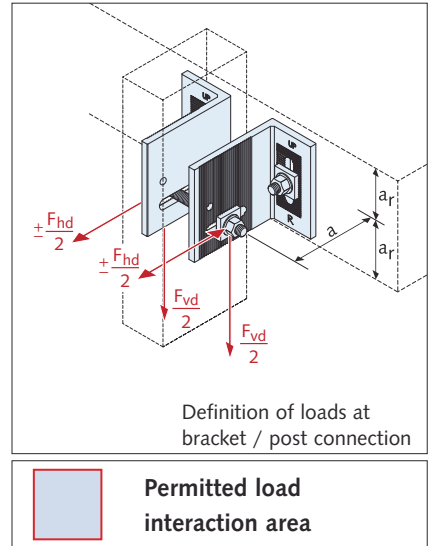
HALFEN CURTAIN WALL SUPPORT SYSTEMS

Dimensioning

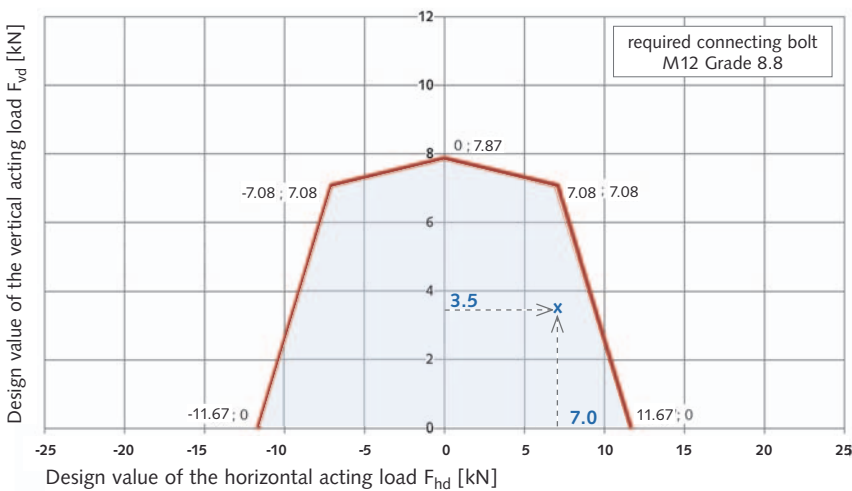
Interaction diagram for type HCW-ED1 (small)



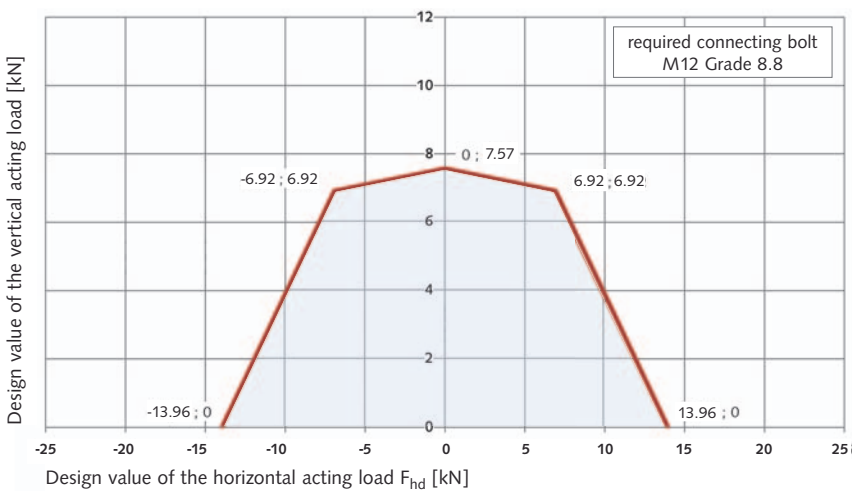
Calculation basis



Interaction diagram for type HCW-ED2 (medium)



Interaction diagram for type HCW-ED3 (large)



HALFEN CURTAIN WALL SUPPORT SYSTEMS

Design Loads using two HCW-EW Brackets, Loads in the HALFEN Bolts (HCW-ED)

Design wind loads for type HCW-EW

Max. applied design load F_{hd} [kN]			
Size	Bracket code	max. F_{vd} [kN]	max. F_{hd} [kN]
Small	HCW-EW 1	0	8.5
Large	HCW-EW 3	0	13.96

HCW-EW Brackets are only suitable for wind loads.

Forces acting on the T-head bolts at the channel (HCW-ED)

The components of the design-reaction forces in the HALFEN Bolts at the connection of the curtain wall bracket to HALFEN Cast-in channel, are calculated by multiplying the design loads F_{vd} and F_{hd} at connection curtain wall bracket and façade support post with the factors s_x , s_y and s_z . The factors are dependent on the bracket geometry, the load direction and the bolt position (see figure on the right). See table below for multiplication factors for determining the design reaction forces in the HALFEN Bolts.

Lower installation position of HALFEN Bolt (Position 3)									
Bracket	Dead load $S_i = (F_{vd} / 2) \times s_i$			Wind load $S_i = (F_{hd} / 2) \times s_i$			Resulting load 45° $S_i = (\text{res. } F_d / 2) \times s_i$		
	s_x	s_y	s_z	s_x	s_y	s_z	s_x	s_y	s_z
HCW-ED 1	0.5	3.2	-1.0	-1.0	1.0	0.0	-0.3	3.0	-0.7
HCW-ED 2	0.5	3.6	-1.0	-0.5	1.0	0.0	0.0	3.3	-0.7
HCW-ED 3	0.5	4.0	-1.0	-0.4	1.0	0.0	0.1	3.5	-0.7
Upper installation position of HALFEN Bolt (Position 1)									
HCW-ED 1	0.6	1.3	-1.0	-1.0	3.6	0.0	-0.3	3.4	-0.7
HCW-ED 2	0.6	1.6	-1.0	-0.5	3.1	0.0	0.0	3.4	-0.7
HCW-ED 3	0.6	1.9	-1.0	-0.4	2.9	0.0	0.1	3.4	-0.7

Calculation example

Assumed: slab thickness = 200 mm, width of mullion = 80 mm, projection a = 80 mm (install. position see page 70)
 design dead load $F_{vd} = +3.5$ kN
 design wind load (wind suction) $F_{hd} = +7.0$ kN

Selected: HALFEN Bracket type HCW-ED 2
 ⇒ possible projection $M = 82 \pm 25$ mm
 ⇒ Interaction diagram type HCW-ED 2 (see page 70) proves that the assumed load is within the permitted load interaction zone

Determination of the design reaction forces in a HALFEN Bolt

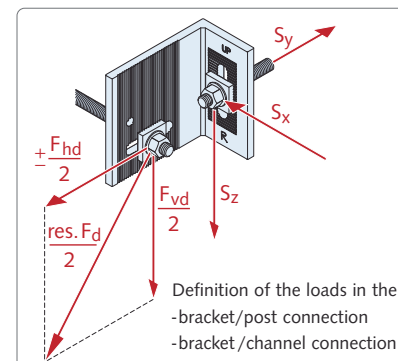
① Lower installation position (Position 3)

$$\begin{aligned} S_x &= (3.5/2) \times 0.5 + (7/2) \times (-0.5) = -0.88 \text{ kN} \\ S_y &= (3.5/2) \times 3.6 + (7/2) \times 1.0 = +9.80 \text{ kN} \\ S_z &= (3.5/2) \times (-1.0) + 0 = -1.75 \text{ kN} \end{aligned}$$

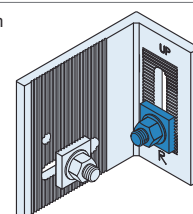
⇒ Resulting bolt load

$$\text{res. } S_d = \sqrt{(-0.88)^2 + (9.80)^2 + (-1.75)^2} = 9.99 \text{ kN} \quad \text{per bolt}$$

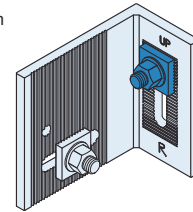
Calculation basis



① Lower installation position of HALFEN Bolts (Position 3)



② Upper installation position of HALFEN Bolts (Position 1)



② Upper installation position (Position 1)

$$\begin{aligned} S_x &= (3.5/2) \times 0.6 + (7/2) \times (-0.5) = -0.70 \text{ kN} \\ S_y &= (3.5/2) \times 1.6 + (7/2) \times 3.1 = +13.65 \text{ kN} \\ S_z &= (3.5/2) \times (-1.0) + 0 = -1.75 \text{ kN} \end{aligned}$$

⇒ Resulting bolt load

$$\text{res. } S_d = \sqrt{(-0.70)^2 + (13.65)^2 + (-1.75)^2} = 13.78 \text{ kN} \rightarrow \text{each bolt}$$

→ determining factor for bolt selection

Selected HALFEN Channel:

HTA-R 50/30 - 350 - 3 Anchor - FV see page 68

$$\text{with } V_{yRd} = 2 \times 5.6 \text{ kN} > 2 \times |S_z| = 2 \times 1.75$$

($a_r \geq 75$ mm)

$$F_{Rd} = 2 \times 14.0 \text{ kN} > 2 \times \text{res. } S_d = 2 \times 13.78 \text{ kN}$$

Check: bolt spacing: $P = 80 + 2 \times 36 = 152$ mm

Selected HALFEN Channel: > 150 mm ✓

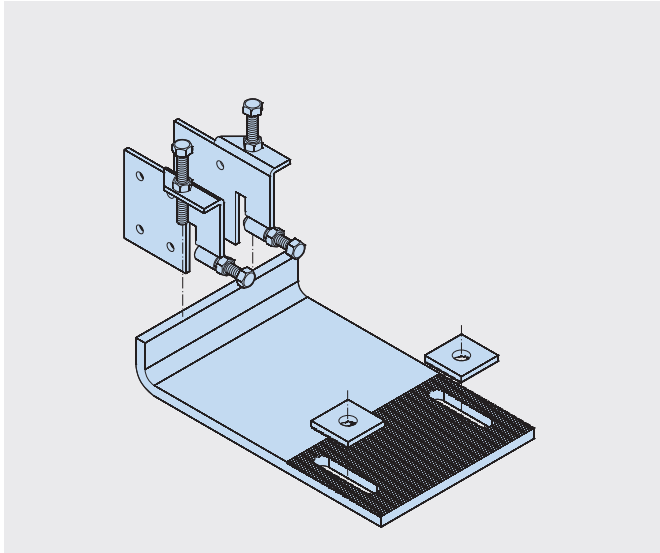
HS 50/30 - M12 × 60 FV 8.8

Requirement according to interaction diagram see page 70

HALFEN CURTAIN WALL SUPPORT SYSTEMS

Top of Slab Brackets HCW-B1

Support brackets for horizontal and vertical loads

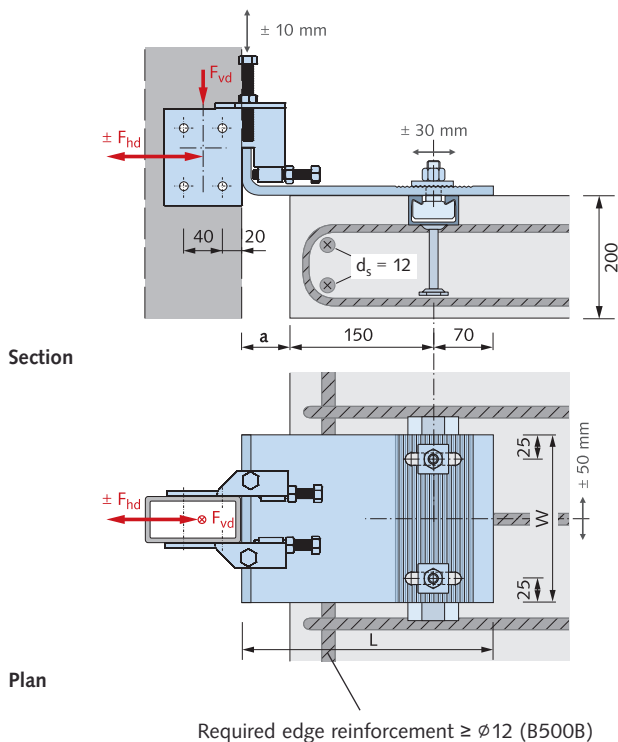


HALFEN Brackets HCW-B1

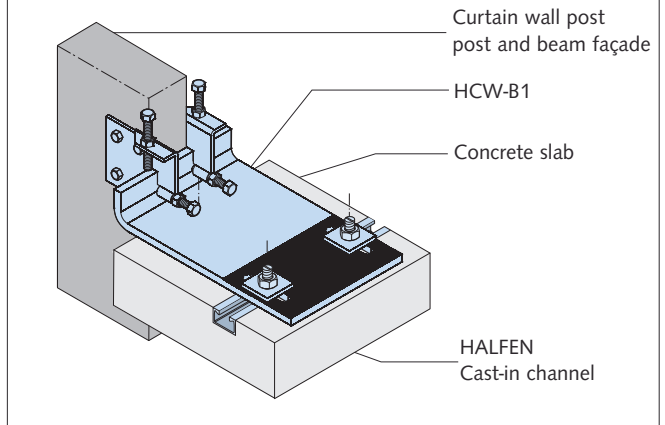
HALFEN Brackets HCW-B1 for installing to the top of concrete slabs, are available in two load ranges and three cantilever sizes.

The brackets are made in grade S355 quality galvanized steel. Vertical adjustability is ± 10 mm.

Three-dimensional adjustability is ensured when used in combination with HALFEN HTA-CE Cast-in channels.



Typical installation



The lateral connecting plates are connected to the façade posts using M8 screws (not included). The façade planner is responsible for providing the static verification for the support posts. Use M16 HALFEN Bolts, grade 8.8 (order separately), to connect the base bracket to the HALFEN Cast-in channel. Depending on the façade type, the connection between the connecting plate and the base bracket can be designed either laterally adjustable or as a fixed point.

Dimensioning / Type selection

Design load ranges

Load range [kN]	dead load F_{vd} [kN]	wind load F_{hd} [kN] (wind suction + compression)
4/12	4	± 12
7/20	7	± 20

F_{vd} , F_{hd} : allowable design loads with a partial safety factor $\gamma_F = 1.35$ for dead load and $\gamma_F = 1.5$ for wind load.

Type selection

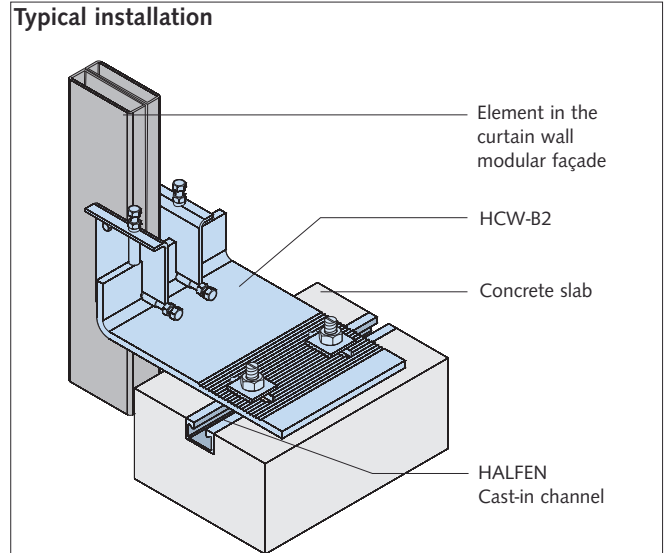
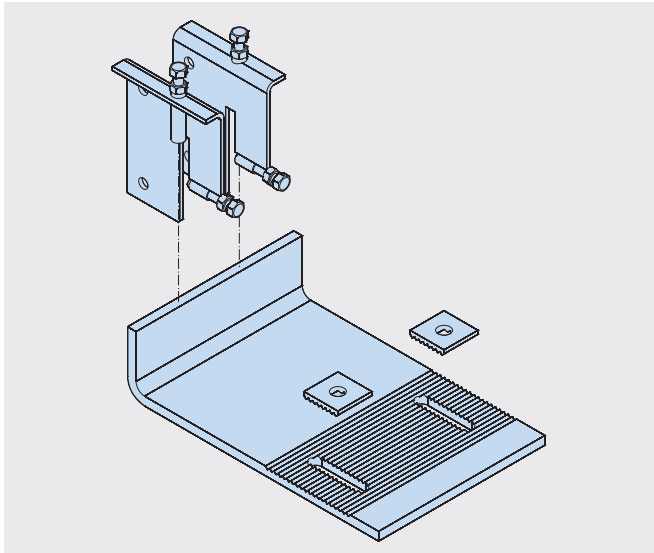
Load range [kN]	a [mm]	Item name HCW-B1-...	L [mm]	W [mm]	HALFEN Channel ①	Recommended HALFEN Bolt
4/12	50	...-4/12-50	270	150	HTA-CE	HS 40/22
	75	...-4/12-75	295	150	40/22P-250	M16×60
	100	...-4/12-100	320	150	2 Anchors	8.8
7/20	50	...-7/20-50	270	175	HTA-CE	HS 50/30
	75	...-7/20-75	295	175	50/30P-300	M16×60
	100	...-7/20-100	320	200	3 Anchors	8.8

① Recommended HALFEN Channel exploiting full load capacity of bracket

HALFEN CURTAIN WALL SUPPORT SYSTEMS

Top of Slab Brackets HCW-B2

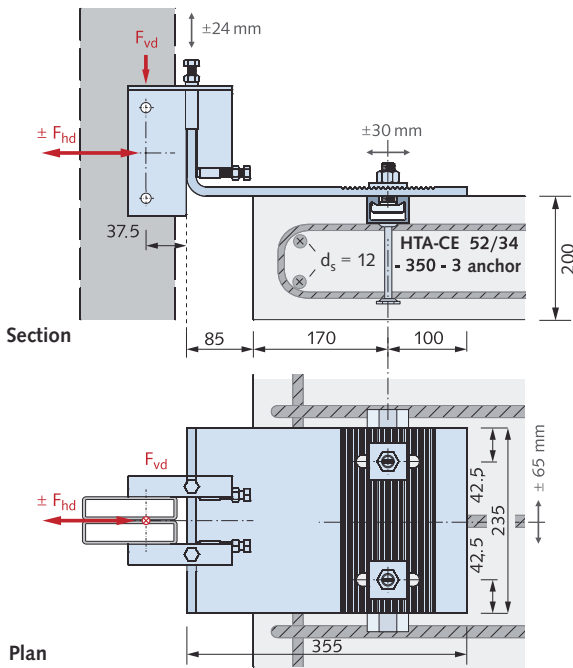
Brackets for horizontal and vertical loads



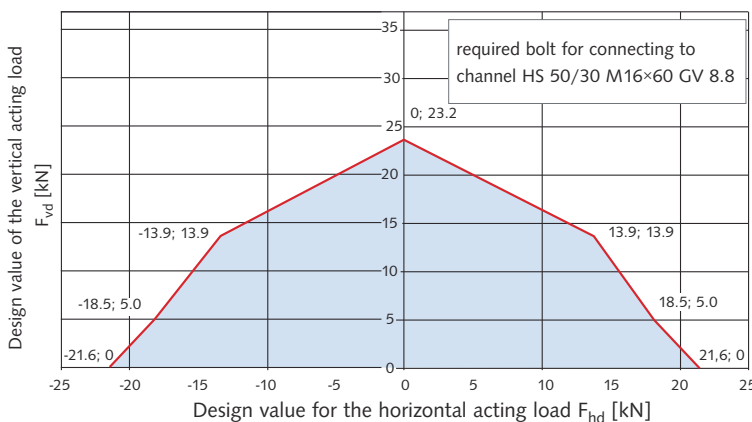
HALFEN Brackets HCW-B2

HALFEN Brackets HCW-B2 are made in grade S355 quality galvanized steel. The vertical adjustability is ± 24 mm. Three-dimensional adjustability is ensured when used in combination with HALFEN Cast-in channels HTA-CE. The lateral connecting plates are connected to the façade posts using M12 screws (not included in delivery).

The façade planner is responsible for providing the static verification for the support posts. Use M16 HALFEN Bolts, grade 8.8 (order separately), to connect the base bracket to the HALFEN Cast-in channel. Depending on the façade type, the connection between the connecting plate and the base bracket can be designed either laterally adjustable or as a fixed point.



Dimensioning



Allowable load interaction area

Required edge reinforcement $\geq \phi 12$ (B500B)

ACCESSORIES

The benefits at a glance

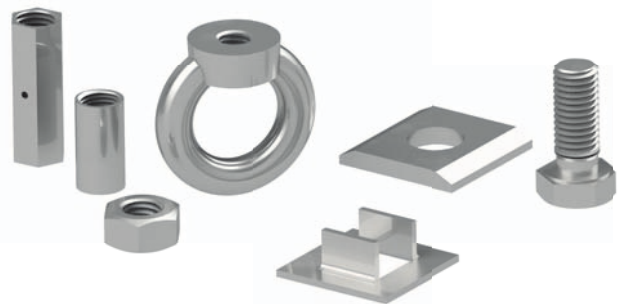
You can design nearly all connections in buildings and industrial plants with HALFEN Channels. With Cast-in channels or framing channels, HALFEN Bolts and with our wide range of accessories we provide fastenings for all purposes.



Application example with HALFEN KLP Rail clips

Fast and cost-effective

- > 3-dimensional adjustable connection when used with cast-in channels
- > uses bolts instead of welding
- > simple assembly reduces installation time



Connect nearly everything with a VBM Coupler sleeve

Further accessories for construction and industrial design

The HALFEN Framing system (industrial) product range can be found in the following catalogues:

HALFEN Flexible bolt connections, HALFEN Flexible framing connections or HALFEN Powerclick System.



ACCESSORIES

Nuts and washers

MU

Hexagonal nuts
EN ISO 4032/
DIN 934

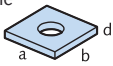


GV galvanized FK 8 Thread	A4 stainless steel Bolt	S/m DIN [mm]	S/m ISO [mm]
M6	M6	10/5	10/5.2
M8	M8	13/6.5	13/6.8
M10	M10	17/8	16/ 8.4
M12	M12	19/10	18/10.8
M16	M16	24/13	24/14.8
M20	M20	30/16	30/18
M24	-	36/19	36/21.5
FV hot-dip galvanized Thread	A2 stainless steel Bolt	S/m DIN [mm]	S/m ISO [mm]
M6	-	10/5	10/5.2
M8	M8	13/6.5	13/6.8
M10	M10	17/8	16/8.4
M12	M12	19/10	18/10.8
M16	M16	24/13	24/14.8

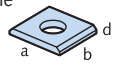
VUS

Square washers

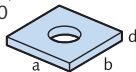
VUS 40/25
for profile
40/25;
HZA
41/22



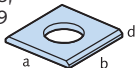
VUS 49/30
for profile
54/33,
49/30



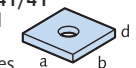
VUS 52/34
for profile
52/34,
50/30



VUS 72/49
for profile
72/48,
72/49



VUS 41/41
for all
41/..
profiles

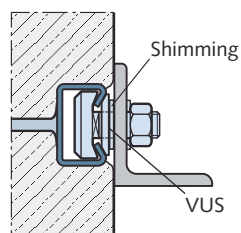


FV hot-dip galvanized Bolt size	A4 stainless steel Bolt size	a × b × d [mm]
M10	M10	40 × 40 × 5
M12	M12	40 × 40 × 5
M16	M16	40 × 40 × 5
M10	M10	37 × 37 × 5
M12	M12	37 × 37 × 5
M16	M16	37 × 37 × 5
M20	M20	37 × 37 × 5
M16	M16	50 × 50 × 6
M20	M20	50 × 50 × 6
M20	M20	54 × 54 × 6
M24	M24	54 × 54 × 6
M27	M27	54 × 54 × 6
M30	M30	54 × 54 × 6
M6	M6	40 × 40 × 6
M10	M10	40 × 40 × 6
M12	M12	40 × 40 × 6

Ordering example: VUS 52/34 - FV - M20

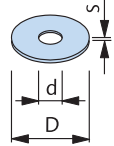
Application VUS:

for shimming non-flush
installation of HALFEN
Anchor channels or for
stand-off installations
→ see page 37.



US

Washers
DIN EN
ISO 7093/
DIN 9021;
DIN EN ISO
7094

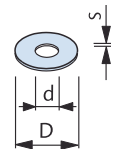


DIN/ ISO	GV galvanized Bolt	A4 stainless steel Bolt	D [mm]	d [mm]	s [mm]
7094	M6	-	22	6.6	2
9021	M8	M8	24	8.4	2
9021	M10	M10	30	10.5	2.5
7094	M12	-	45	13.5	4
9021	M12	M12	37	13	3
9021	M16	M16	50	17	3
7094	M20	-	72	22	6
FV hot-dip galv. Bolt			D [mm]	d [mm]	s [mm]
9021	M10	-	30	10.5	2.5
9021	M12	-	37	13	3
9021	M16	-	50	17	3

Ordering example: US - M12 - GV - DIN 9021

US

Washers
DIN EN
ISO 7089/
DIN 125

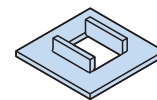


GV galvanized Bolt	A4 stainless steel Bolt	D [mm]	d [mm]	s [mm]
M6	M6	12	6.4	1.6
M8	M8	16	8.4	1.6
M10	M10	21	10.5	2
M12	M12	24	13	2.5
M16	M16	30	17	3
M20	M20	37	21	3
M24	-	44	25	4
FV hot-dip galv.	A2 stainless steel Bolt	D [mm]	d [mm]	s [mm]
-	M8	17	8.4	1.6
M10	M10	21	10.5	2
M12	M12	24	13	2.5
M16	M16	30	17	3
M20	-	37	21	3
M27	-	50	28	4

Ordering example: US - M12 - GV - DIN 125

SIC

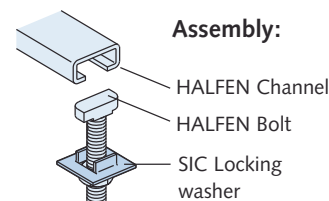
Locking
washer



GV galvanized	A4 stainless steel A4	Suitable for HALFEN bolts	
		Type	Dimensions
SIC - 50/30 - GV	SIC - 50/30 - A4	50/30	M16, M20
SIC - 40/22 - GV	SIC - 40/22 - A4	38/17 40/22	M16
SIC - 38/23 - GV	-	38/23	M16
SIC - 29/20 - GV	-	29/20	M12
SIC - 38/17 - GV	SIC - 38/17 - A4	38/17 40/22	M12, M10
SIC - 28/15 - GV	SIC - 28/15 - A4	28/15	M8, M10
SIC - 20/12 - GV	SIC - 20/12 - A4	20/12	M8

Ordering example: SIC - 38/17 - GV

Assembly:



Application SIC:

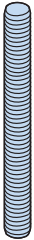
to secure and prevent
HALFEN Bolts
back-turning
during assembly.

ACCESSORIES

Threaded rods, Hexagonal head bolts, Coupler sleeves, Ring nuts

GWS

Threaded rods
DIN 976-1

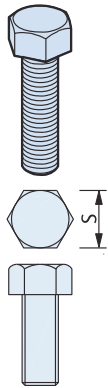


GV galvanized F.k. 4.6	A4 stainless steel	Length	F_{Rd}	allow. F
Thread	Thread	[mm]	① [kN]	[kN]
M6	M6	1000	3.1	2.2
M8	M8	1000	5.6	4.0
M10	M10	1000	9.0	6.4
M12	M12	1000	13.0	9.3
M16	M16	1000	24.2	17.3
M20	M20	1000	37.8	27.0
M24	-	1000	54.3	38.8

Ordering example: **GWS - M12 × 1000 - GV**

HSK

Hexagonal head
bolts
EN ISO 4017/
DIN 933
(without nut)

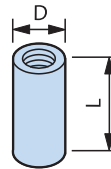


Hex bolts are used
in combination with
HALFEN Locking
plates

GV 8.8 galvanized FK 8.8	A4 stainless steel	S DIN	S EN ISO
Dimensions	Dimensions	[mm]	[mm]
M6 × 12	-	10	10
M6 × 25	-		
M8 × 25	M8 × 25	13	13
M8 × 40	-		
M10 × 20	-		
M10 × 30	M10 × 30	17	16
M10 × 45	M10 × 45		
M10 × 60	-		
M10 × 70	-		
M12 × 22	-		
M12 × 25	M12 × 25	19	18
M12 × 30	M12 × 30		
M12 × 40	M12 × 40		
M12 × 50	-		
M12 × 60	M12 × 60		
M12 × 80	M12 × 80		
M12 × 90	-		
M16 × 40	M16 × 40	24	24
M16 × 60	M16 × 60		
M16 × 90	M16 × 90		

VBM

Coupler sleeves,
round

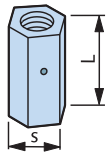


GV galvanized	A4 stainless steel	D	L	F_{Rd}	allow. F
Thread	Thread	[mm]	[mm]	① [kN]	[kN]
M6	M6	10/10	15	3.1	2.2
M8	M8	12/14	20	5.6	4.0
M10	M10	13/16	25	9.0	6.4
M12	M12	16/20	30	13.0	9.3
M16	M16	21/25	40	24.2	17.3
M20	M20	26/32	50	37.8	27.0

Ordering example: **VBM - A4 - M16**

SKM

Hexagonal coupler
sleeves with
view holes

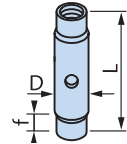


FV hot-dip galvanized	A4 stainless steel	S	L	F_{Rd}	allow. F
Thread	Thread	[mm]	[mm]	① [kN]	[kN]
M10	M10	13	40	9.0	6.4
M12	M12	17	40	13.0	9.3
M16	M16	22	50	24.2	17.3

Ordering example: **SKM - FV - M12**

SPH

Turnbuckles
with right-
and left-hand
thread



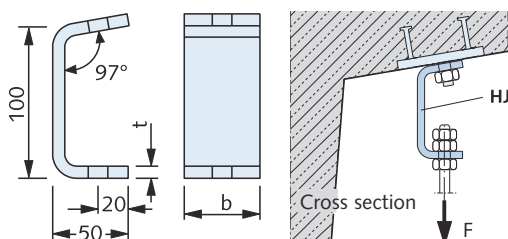
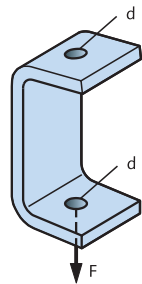
$f = \text{min. screw depth}$
M12 \cong 10mm
M16 \cong 13 mm

A4 stainless steel	A4 stainless steel	D	D
Thread M12 × Length L [mm]	Thread M16 × Length L [mm]	for M12 [mm]	for M16 [mm]
M12 × 60	M16 × 60	16	22
M12 × 75	M16 × 75	16	22
M12 × 95	M16 × 95	16	22
M12 × 115	M16 × 115	16	22
M12 × 135	M16 × 135	16	22
allow. F = 5 kN $F_{Rd} = 7 \text{ kN}$	allow. F = 10 kN $F_{Rd} = 14 \text{ kN}$		

Ordering example: **SPH - A4 - M12 x 75**

HJV

Adjustment
coupler



FV hot-dip galvanized	A4 stainless steel	t	b	d	max. F_{Ed}	allow. F
Type	Type	[mm]	[mm]	[mm]	② [kN]	[kN]
1	1	6	40	13	2.1	1.5
2	2	8	50	17	4.6	3.3
3	3	10	50	17	7.0	5

RM

Ring nut
DIN 582
from 2010-09



GV C 15E, galvanized	d	F_{Rd}	allow. F
Thread	[mm]	① [kN]	[kN]
M8	20	2.0	1.4
M10	25	3.2	2.3
M12	30	4.8	3.4
M16	35	9.8	7.0
M20	40	16.8	12.0

Ordering example: **RM - GV - M12**

- ① Recommended design value of the load capacity with a centric tensile stress
- ② Recommended design value of the load

ACCESSORIES

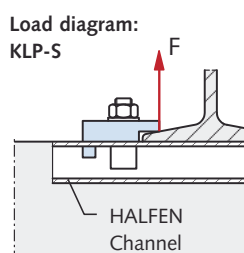
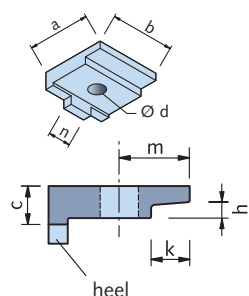
Rail Clips

KLP - S Rail clips, steel 1.0038 forged

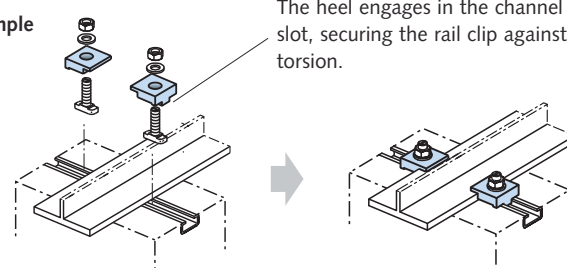
FV hot-dip galvanized Type	Heel width n [mm]	For HALFEN Bolts Ø × l [mm]	Dimensions [mm]							Allowable load at σ allowable = 125 N/mm ² F [kN]	Preferred for use with		
			a	b	c	Ø d	h	k	m		standard profile I	other beam, flange thickness channels t [mm]	channels
No. 10	16	M16 × 60	44.0	45	12	18	5	12.0	22.0	3.5	80–140	4–6	S24
No. 26	without heel	M16 × 60	62.5	64	21	18	9	16.5	34.5	3.5	160–240	7–9	S24, A45, A55
No. 20	20	M20 × 65	52.0	55	19	□ 21	8	15.0	24.0	10.0	160–240	7–9	S24–S49

Ordering example: KLP - S - Nr. 26 - FV

□ = square opening



Assembly example KLP-S



The heel engages in the channel slot, securing the rail clip against torsion.

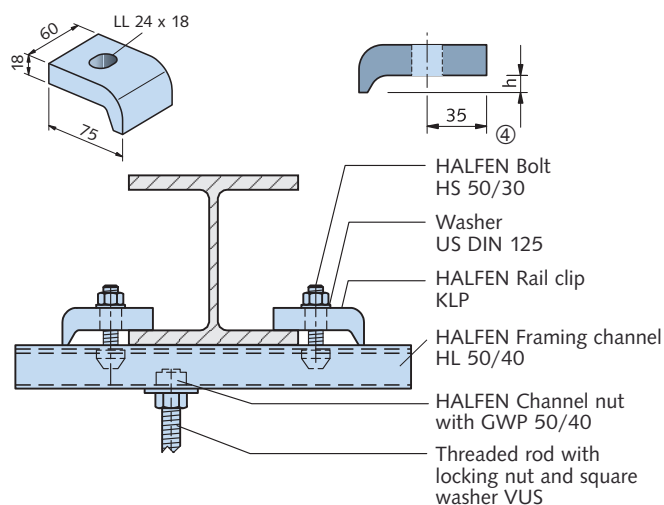
KLP - 60 Rail clips

FV hot-dip galvanized	Clamping height h [mm]	Allowable load [®] [kN]	Preferred for use with		
			standard profile I	standard profile IPB	crane and running tracks [®]
60/10	10	F ₁ = 7.0 HALFEN Bolt M16 × 60, Grade 4.6	120–160	100	A65, S33, S41
60/12	12		220–240	140	A100, S49, A75
60/14	14		240–280	160–180	A120, S54
60/16	16	F ₂ = 11.25 HALFEN Bolt M16 × 60, Grade 8.8	300–340	200–220	S64
60/18	18 ^③		360–380	240–260	-
60/20	20 ^③		400–450	280–300	-

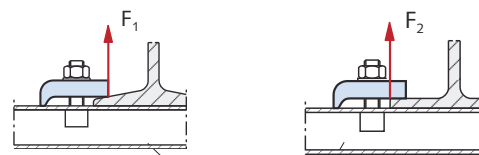
② Take the load capacity of HALFEN Channels into account (Cantilever must be considered when selecting the HALFEN Channels and bolts)

③ Bolt M16 × 80 necessary ④ Check flange thickness of profile!

Order example: KLP - 60/10 - FV

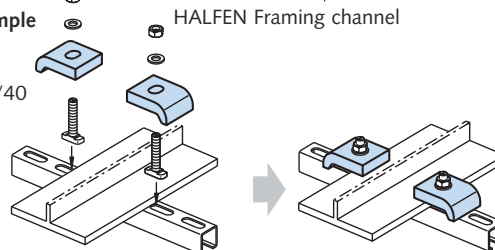


Load diagram KLP - 60



Assembly example KLP - 60

e.g. HL 50/40





Leviat®

Innovative engineered products
and construction solutions that
allow the industry to build safer,
stronger and faster.



Contact Leviat worldwide

Australia

Unit A, 1 Heinrich Close,
Eastern Creek, Sydney, NSW 2766
Tel: +61 - 2 8808 3100
Email: info.au@leviat.com

Austria

Leonard-Bernstein-Str. 10
Saturn Tower, 1220 Wien
Tel: +43 - 1 - 259 6770
Email: info.at@leviat.com

Belgium

Industrielaan 2
1740 Ternat
Tel: +32 - 2 - 582 29 45
Email: info.be@leviat.com

China

Room 601 Tower D,
Vantone Centre
No. A6 Chao Yang Men Wai Street
Chaoyang District
Beijing P.R. China 100020
Tel: +86 - 10 5907 3200
Email: info.cn@leviat.com

Czech Republic

Pekařská 695/10a
155 00 Praha 5
Tel: +420 - 311 - 690 060
Email: info.cz@leviat.com

Finland

Vädursgatan 5
412 50 Göteborg / Sweden
Tel: +358 (0)10 6338781
Email: info.fi@leviat.com

France

6, Rue de Cabanis
31240 L'Union
Tel: +33 (0)5 34 25 54 82
Email: info.fr@leviat.com

Germany

Liebigstrasse 14
40764 Langenfeld
Tel: +49 - 2173 - 970 - 0
Email: info.de@leviat.com

India

Unit S4, 902, A Wing,
Lodha iThink Techno Campus Building,
Panchpakhadi, Pokharan Road 2,
Thane, 400606
Tel: +91-022 695 33700
Email: info.in@leviat.com

Italy

Via F.lli Bronzetti 28
24124 Bergamo
Tel: +39 - 035 - 0760711
Email: info.it@leviat.com

Malaysia

28 Jalan Anggerik Mokara 31/59
Kota Kemuning,
40460 Shah Alam Selangor
Tel: +603 - 5122 4182
Email: info.my@leviat.com

Netherlands

Oostermaat 3
7623 CS Borne
Tel: +31 - 74 - 267 14 49
Email: info.nl@leviat.com

New Zealand

246D James Fletcher Drive, Otahuhu,
Auckland 2024
Tel: +64 - 9 276 2236
Email: info.nz@leviat.com

Philippines

27F Office A, Podium West Tower,
12 ADB Avenue, Ortigas Center
Mandaluyong City, 1550
Tel: +63 - 2 7957 6381
Email: info.ph@leviat.com

Poland

Ul. Obornicka 287
60-691 Poznań
Tel: +48 - 61 - 622 14 14
Email: info.pl@leviat.com

Singapore

10 Benoi Sector,
Singapore 629845
Tel: +65 - 6266 6802
Email: info.sg@leviat.com

Spain

Polígono Industrial Santa Ana
c/ Ignacio Zuloaga, 20
28522 Rivas-Vaciamadrid
Tel: +34 - 91 632 18 40
Email: info.es@leviat.com

Sweden

Vädursgatan 5
412 50 Göteborg
Tel: +46 - 31 - 98 58 00
Email: info.se@leviat.com

Switzerland

Grenzstrasse 24
3250 Lyss
Tel: +41 (0)800 22 66 00
Email: info.ch@leviat.com

United Arab Emirates

RA08 TB02, PO Box 17225
JAFZA, Jebel Ali, Dubai
Tel: +971 (0)4 883 4346
Email: info.ae@leviat.com

United Kingdom

President Way,
President Park,
Sheffield S4 7UR
Tel: +44 - 114 275 5224
Email: info.uk@leviat.com

USA / Canada

6467 S Falkenburg Road
Riverview, FL 33578
Tel: (800) 423-9140
Email: info.us@leviat.us

For countries not listed

Email: info@leviat.com

Notes regarding this document

© Protected by copyright. The information in this publication is based on state-of-the-art technology at the time of publication. In every case, project working details should be entrusted to appropriately qualified and experienced persons. Leviat shall not accept liability for the accuracy of the information in this document or for any printing errors. We reserve the right to make technical and design changes at any time. With a policy of continuous product development, Leviat reserves the right to modify product design and specification at any time.

Leviat®

Imagine. Model. Make.

Leviat.com